

# Rectifier Diode

## D130



### Technical Data

Typical applications :All purpose high power rectifier diodes, Non-controllable and half controlled rectifiers .

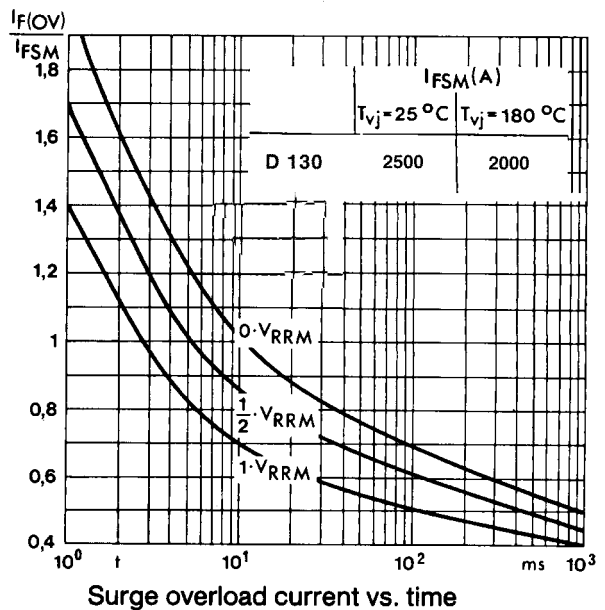
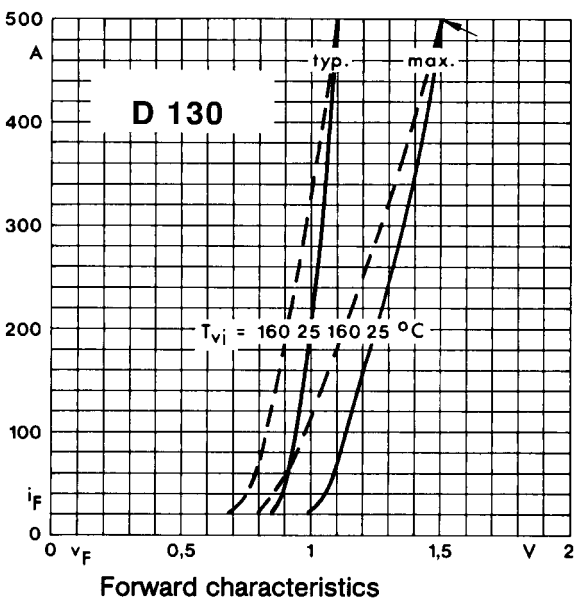
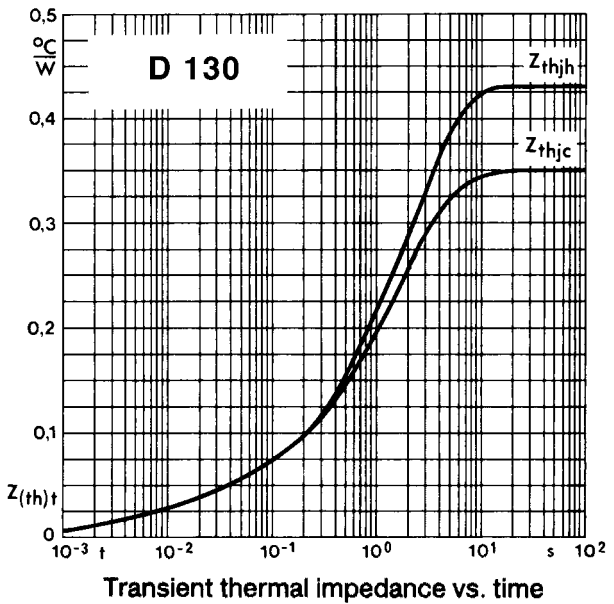
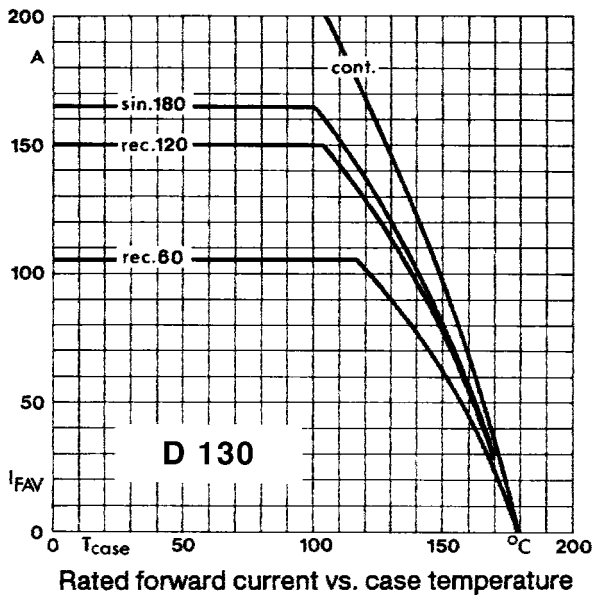
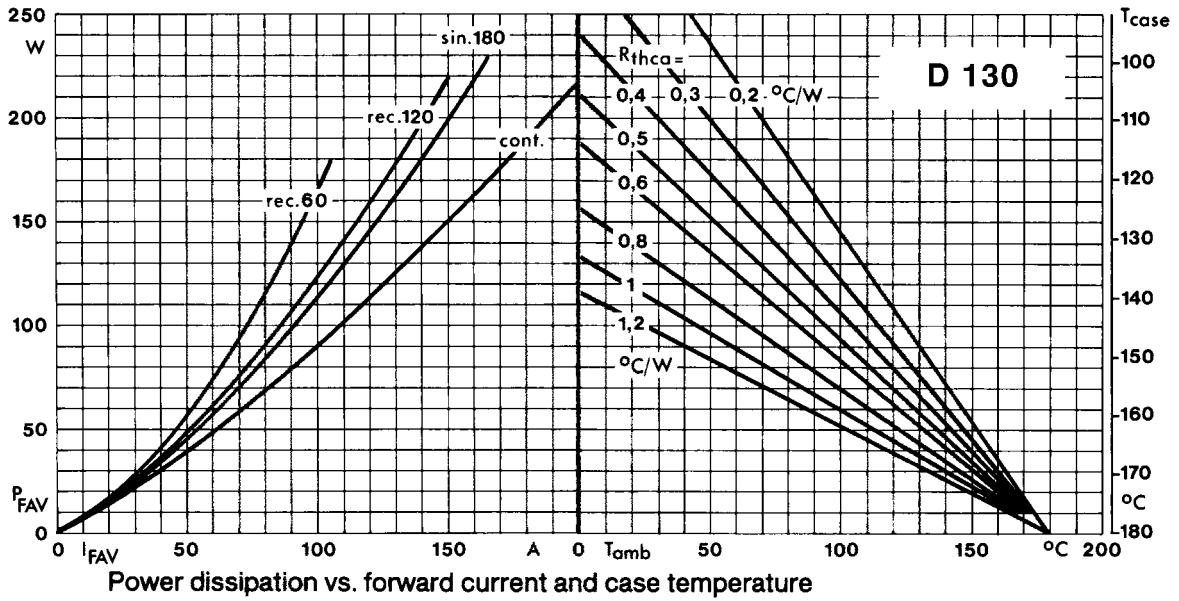
Type No.	$V_{RRM}$ (Volts)	$V_{RSM}$ (Volts)
D130/02	200	300
D130/04	400	500
D130/08	800	900
D130/12	1200	1300
D130/16	1600	1700

### Features

- Reverse voltage upto 1600V.
- Hermetic glass to metal seal
- C : Cathode to stud
- A : Anode to stud

Symbol	Conditions	Values
$I_{F(AV)}$	Sin 180 ; Tcase = 125 °C	130 A
$I_{FSM}$	Tvj = 25 °C ; 10 ms	2500 A
	Tvj = 180 °C ; 10 ms	2000 A
$I^2t$	Tvj = 25 °C	31000 A <sup>2</sup> s
	Tvj = 180 °C	20000 A <sup>2</sup> s
$I_{RRM}$	Tvj = 180 °C	25 mA max
$V_F$	Tvj = 25 °C ; $I_F = 500$ A	1.5 V max
$V_0$	Tvj = 180 °C	0.85 V
$R_0$	Tvj = 180 °C	1.3 m
$R_{th(j-c)}$		0.35 °C/W
$R_{th(c-h)}$		0.08 °C/W
$T_{vj}$		180 °C
$T_{stg}$		-40.....+ 180 °C
Mounting torque	SI units	10 Nm
Weight	Approx	100 g
Case outline	Standard / Alternate	M / W

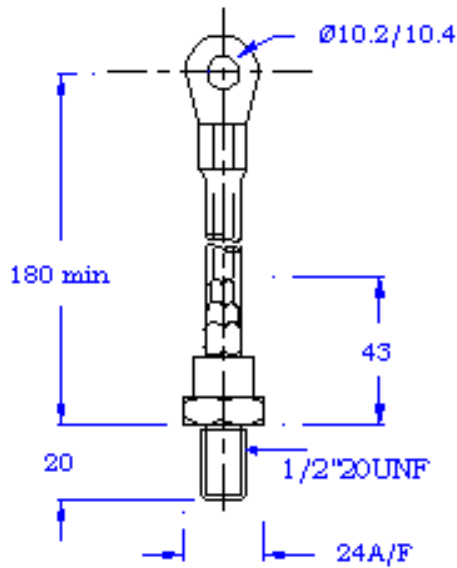




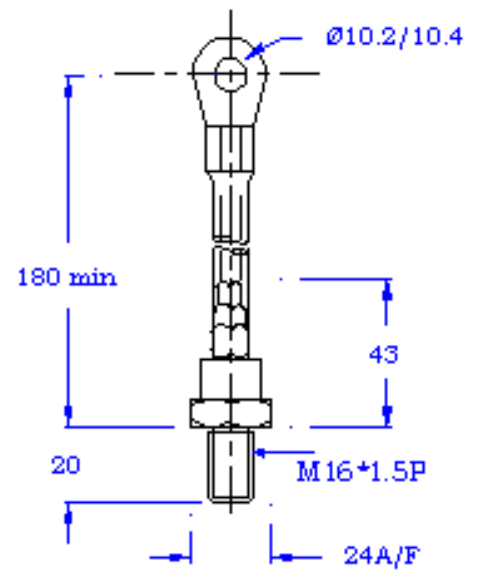
PACAKAGE DEATILS

DO NOT SCALE

All Dimensions in mm



Mounting Torque 10NM **M**



Mounting Torque 10NM **W**