

Rectifier Diode D240



Technical Data

Typical applications :All purpose high power rectifier diodes, Non-controllable and half controlled rectifiers .

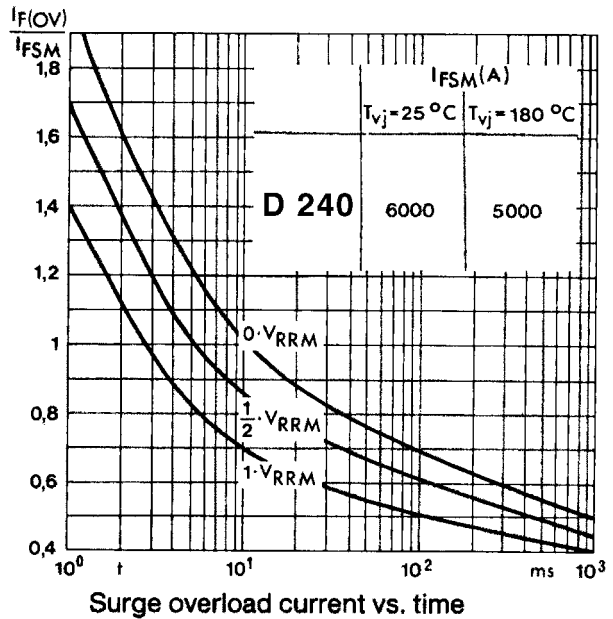
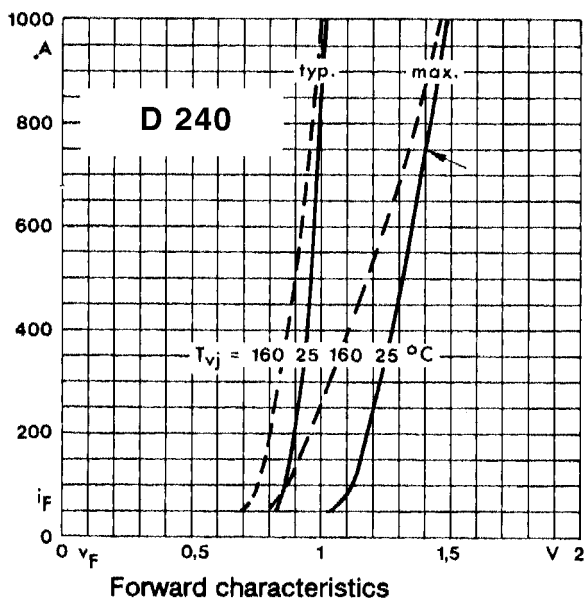
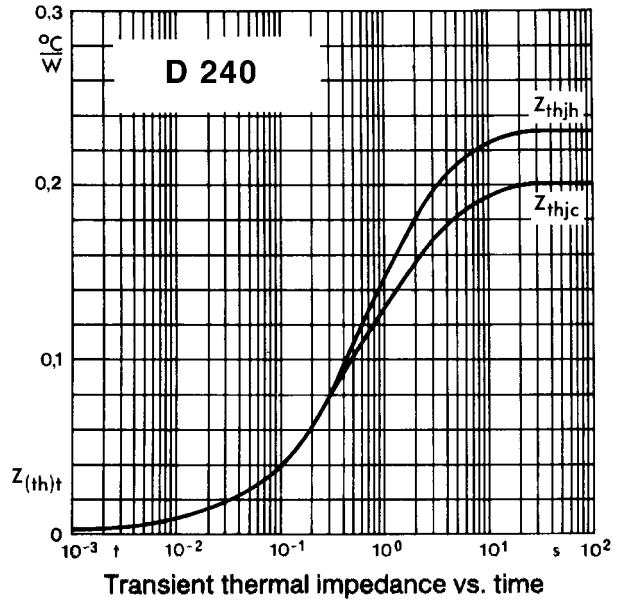
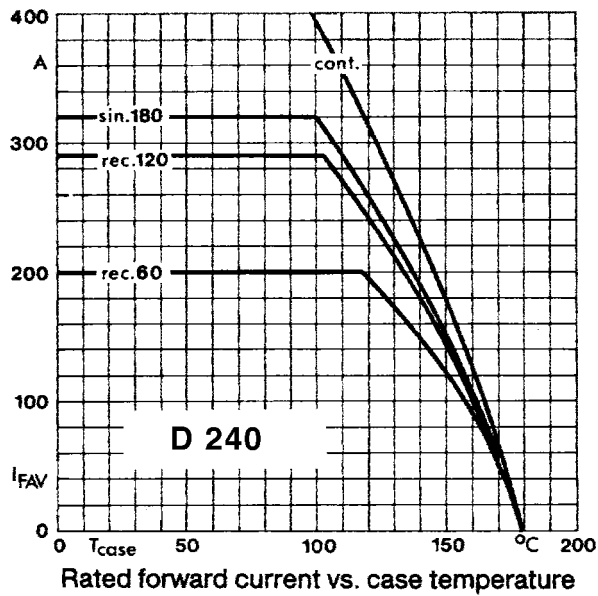
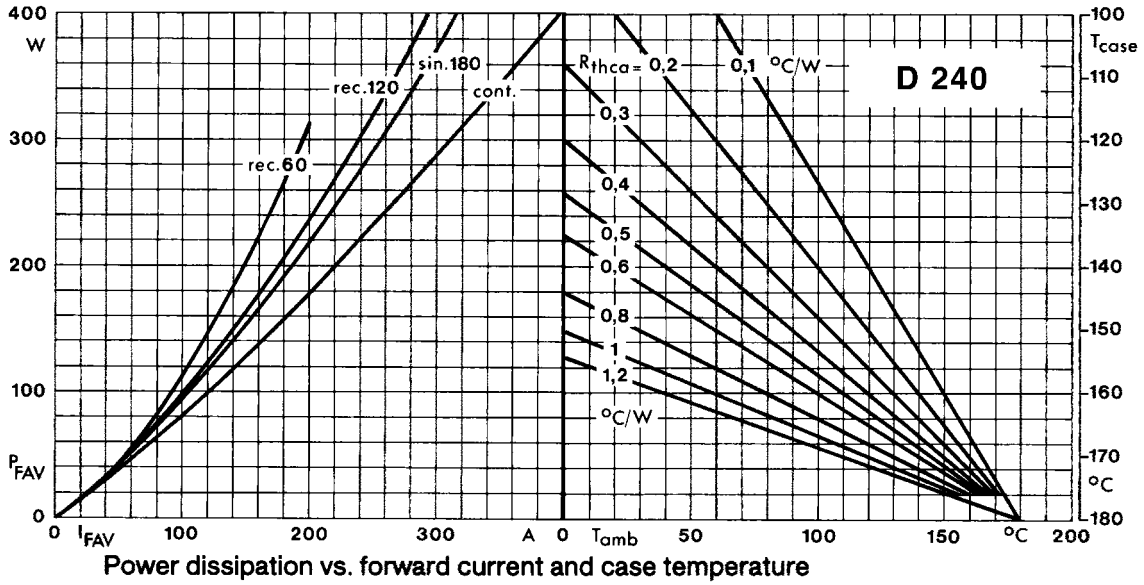
Type No.	V_{RRM} (Volts)	V_{RSM} (Volts)
D240/02	200	300
D240/04	400	500
D240/08	800	900
D240/12	1200	1300
D240/16	1600	1700

Features

- Reverse voltage upto 1600V.
- Hermatic glass to metal seal
- C : Cathode to stud
- A : Anode to stud

Symbol	Conditions	Values
$I_{F(AV)}$	Sin 180 ; Tcase = 125 °C	240 A
I_{FSM}	Tvj = 25 °C ; 10 ms	6000 A
	Tvj = 180 °C ; 10 ms	5000 A
I^2t	Tvj = 25 °C	180000 A ² s
	Tvj = 180 °C	125000 A ² s
I_{RRM}	Tvj = 180 °C	60 mA max
V_F	Tvj = 25 °C ; $I_F = 750$ A	1.4 V max
V_0	Tvj = 180 °C	0.85 V
R_0	Tvj = 180 °C	0.60 m
$R_{th(j-c)}$		0.20 °C/W
$R_{th(c-h)}$		0.03 °C/W
T_{vj}		180 °C
T_{stg}		-40.....+ 180 °C
Mounting torque	SI units	30 Nm / 8 Nm per Bolt
Weight	Approx	200 g
Case outline		B / H

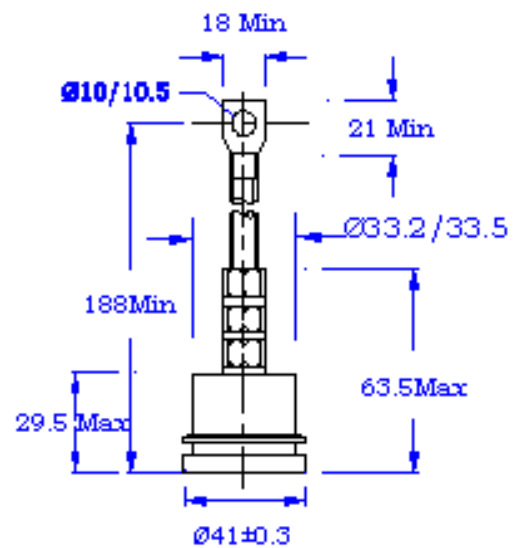
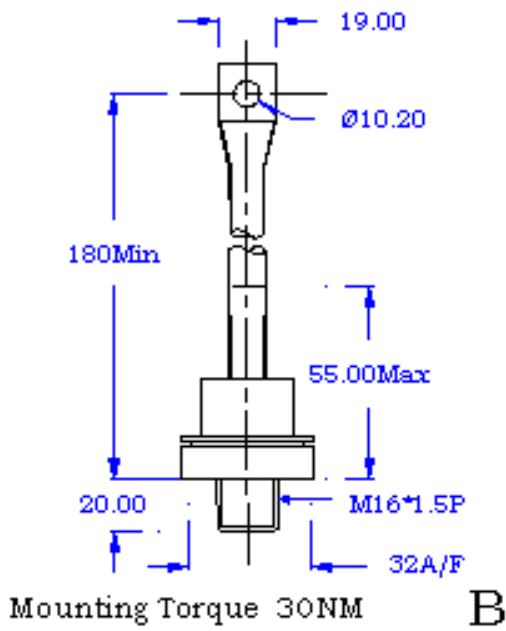




PACAKAGE DEATILS

DO NOT SCALE

All Dimensions in mm



Mounting Torque 8NM/bolt
(For Two Bolt Mounting) **H**