

# Rectifier Diode

## D25

### Technical Data

Typical applications :All purpose high power rectifier diodes, Non-controllable and half controlled rectifiers . Free-wheeling diodes.

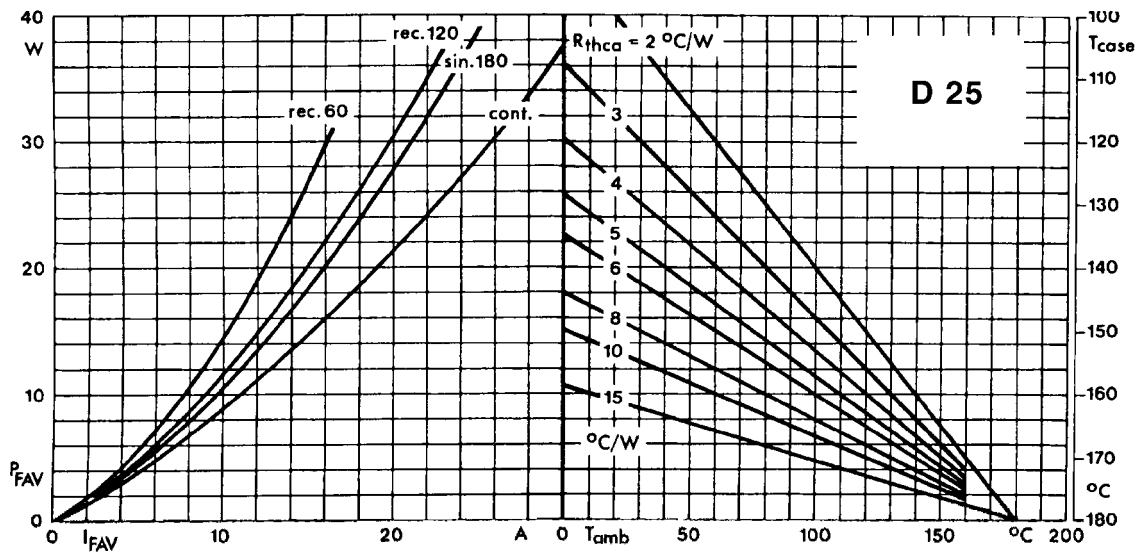
Type No.	$V_{RRM}$ (Volts)	$V_{RSM}$ (Volts)
D25/02	200	300
D25/04	400	500
D25/08	800	900
D25/12	1200	1300
D25/16	1600	1700

### Features

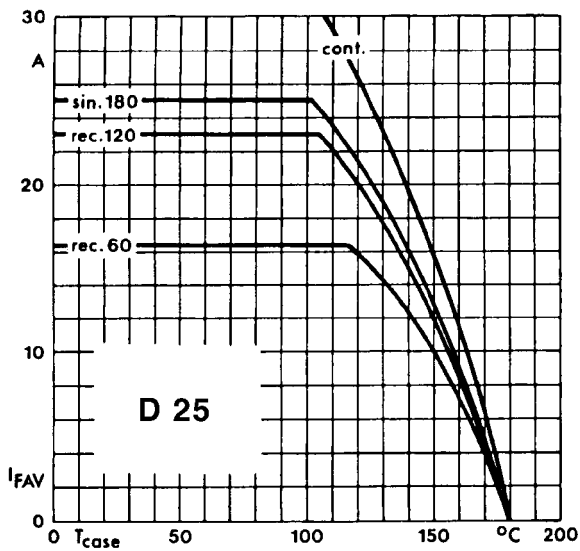
- Reverse voltage upto 1600V.
- Hermatic glass to metal seal
- C : Cathode to stud
- A : Anode to stud

Symbol	Conditions	Values
$I_{F(AV)}$	Sin 180 ; $T_{case} = 100\text{ }^{\circ}\text{C}$	25 A
$I_{FSM}$	$T_{vj} = 25\text{ }^{\circ}\text{C}$ ; 10 ms	375 A
	$T_{vj} = 180\text{ }^{\circ}\text{C}$ ; 10 ms	320 A
$I^2t$	$T_{vj} = 25\text{ }^{\circ}\text{C}$	700 $\text{A}^2\text{s}$
	$T_{vj} = 180\text{ }^{\circ}\text{C}$	510 $\text{A}^2\text{s}$
$I_{RRM}$	$T_{vj} = 180\text{ }^{\circ}\text{C}$	4 mA max
$V_F$	$T_{vj} = 25\text{ }^{\circ}\text{C}$ ; $I_F = 60\text{ A}$	1.55 V max
$V_0$	$T_{vj} = 180\text{ }^{\circ}\text{C}$	0.85 V
$R_0$	$T_{vj} = 180\text{ }^{\circ}\text{C}$	11 m
$R_{th(j-c)}$		2.0 $^{\circ}\text{C/W}$
$R_{th(c-h)}$		1.0 $^{\circ}\text{C/W}$
$T_{vj}$		180 $^{\circ}\text{C}$
$T_{stg}$		-40.....+ 180 $^{\circ}\text{C}$
Mounting torque	SI units	2 Nm
Weight	Approx	20 g
Case outline		C/P

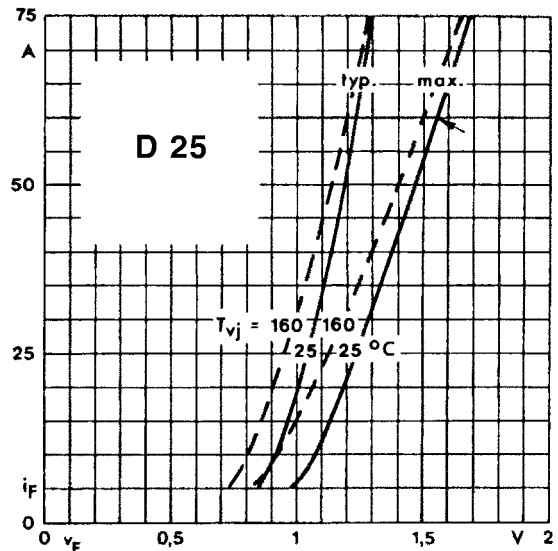




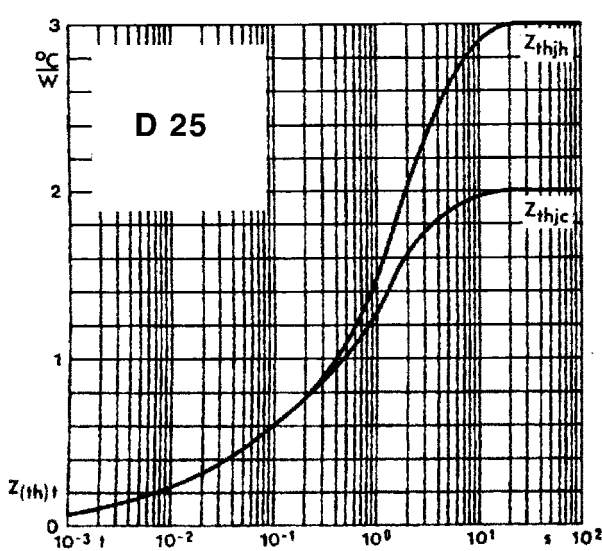
Power dissipation vs. forward current and case temperature



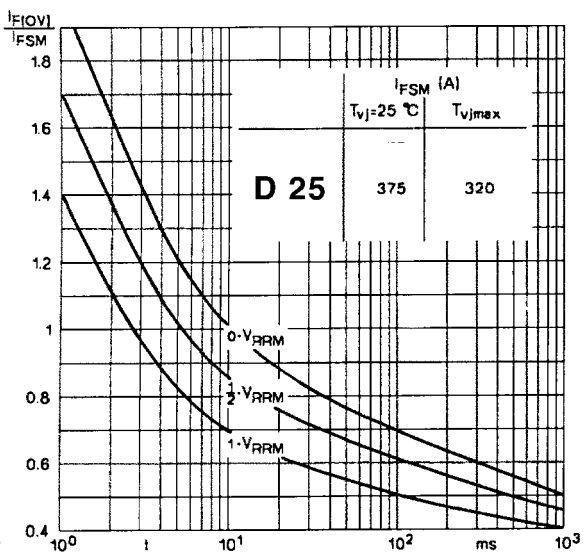
Rated forward current vs. case temperature



Forward characteristics



Transient thermal impedance vs. time

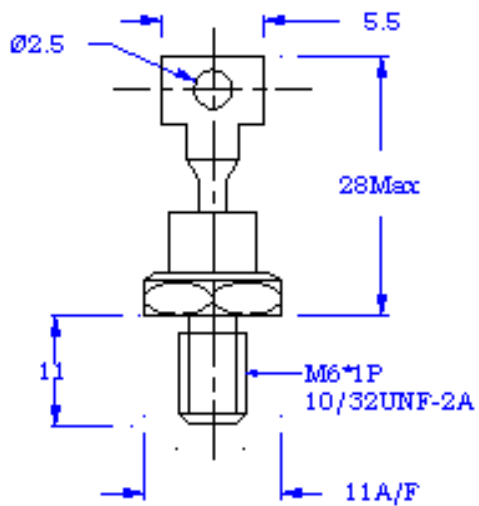


Surge overload current vs. time

## PACAKAGE DEATILS

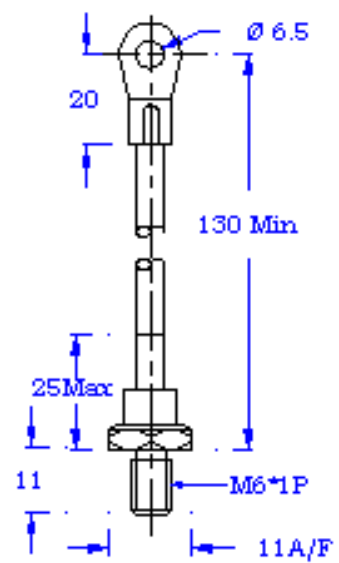
DO NOT SCALE

All Dimensions in mm



Mounting Torque 2NM

C



Mounting Torque 2NM

P