

# Rectifier Diode

## D40



### Technical Data

Typical applications :All purpose high power rectifier diodes, Non-controllable and half controlled rectifiers .

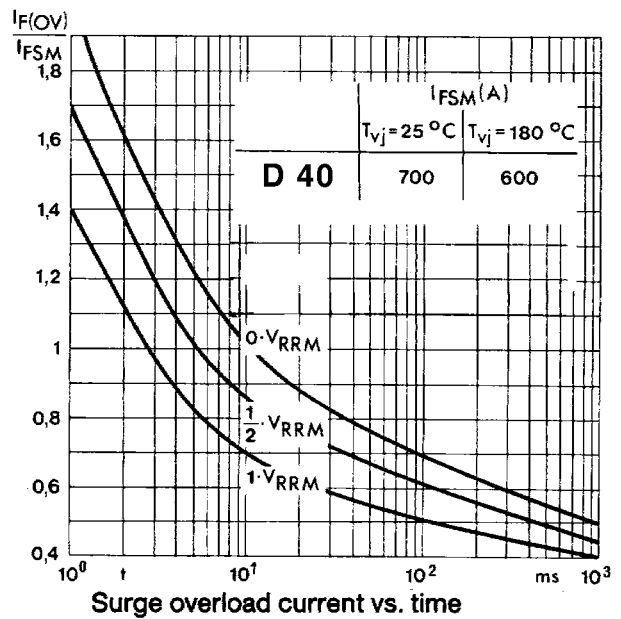
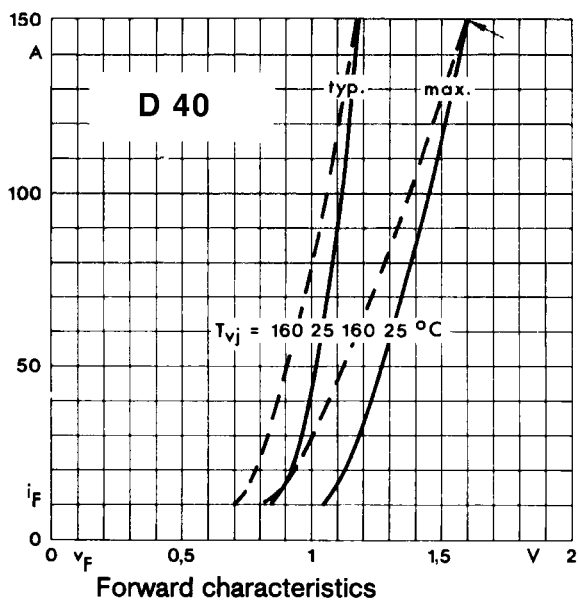
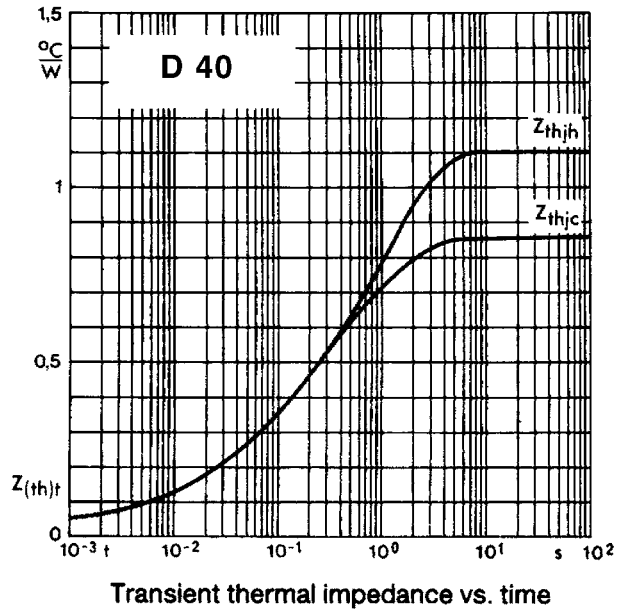
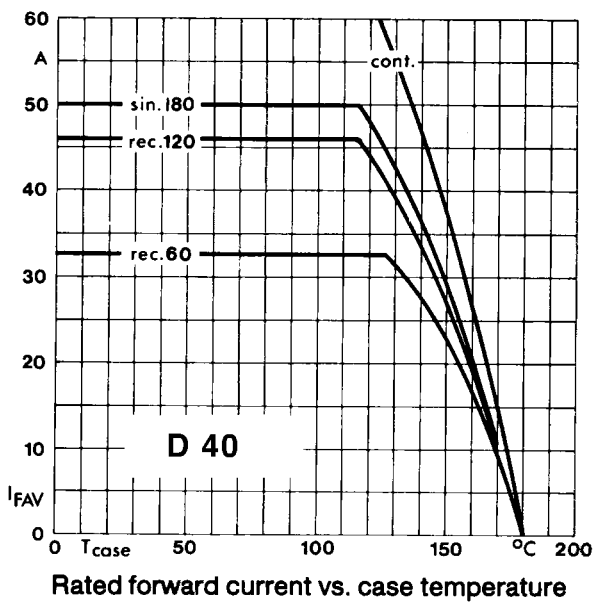
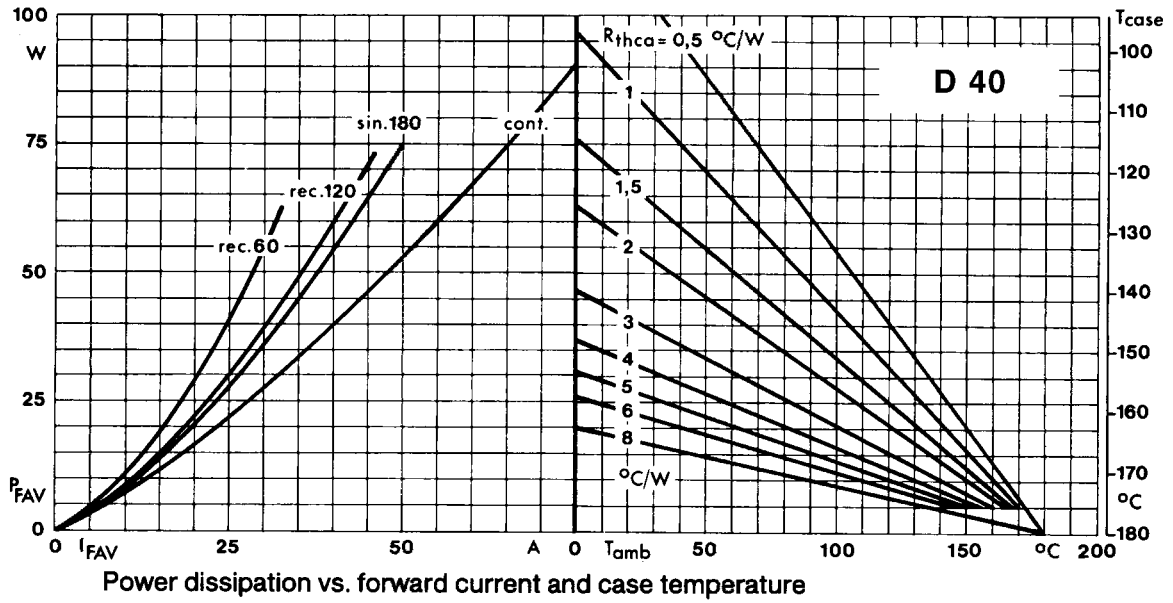
Type No.	$V_{RRM}$ (Volts)	$V_{RSM}$ (Volts)
D40/02	200	300
D40/04	400	500
D40/08	800	900
D40/12	1200	1300
D40/16	1600	1700

### Features

- Reverse voltage upto 1600V.
- Hermetic glass to metal seal
- C : Cathode to stud
- A : Anode to stud

Symbol	Conditions	Values
$I_{F(AV)}$	Sin 180 ; Tcase = 125 °C	40 A
$I_{FSM}$	Tvj = 25 °C ; 10 ms Tvj = 180 °C ; 10 ms	700 A 600 A
$I^2t$	Tvj = 25 °C Tvj = 180 °C	2500 A <sup>2</sup> s 1800 A <sup>2</sup> s
$I_{RRM}$	Tvj = 180 °C	10 mA max
$V_F$	Tvj = 25 °C ; $I_F = 150 A$	1.6 V max
$V_0$	Tvj = 180 °C	0.85 V
$R_0$	Tvj = 180 °C	5 m
$R_{th(j-c)}$ $R_{th(c-h)}$ $T_{vj}$ $T_{stg}$		0.85 °C/W 0.25 °C/W 180 °C -40.....+ 180 °C
Mounting torque	SI units	4 Nm
Weight	Approx	30 g
Case outline		D/L

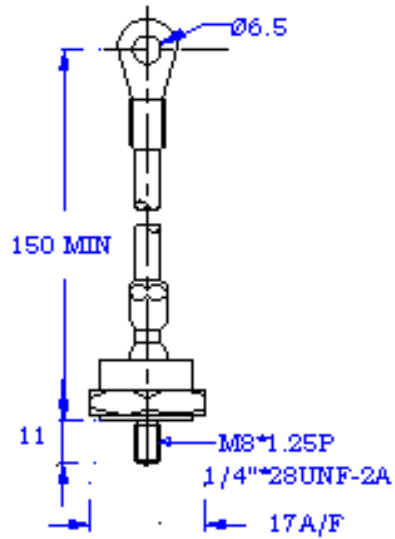




PACAKAGE DEATILS

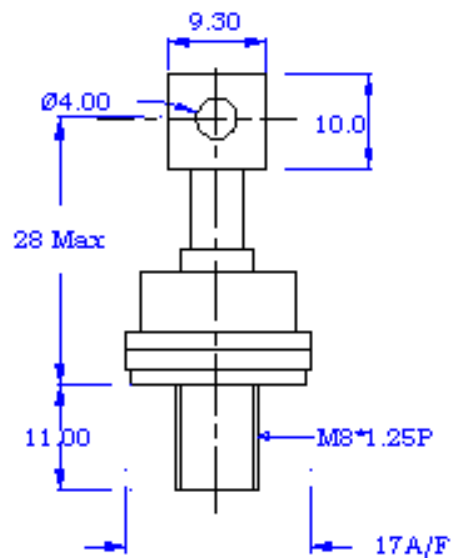
DO NOT SCALE

All Dimensions in mm



Mounting Torque 4NM

D



Mounting Torque 4NM

L