

Rectifier Diode

D570



Technical Data

Typical applications :All purpose high power rectifier diodes, Non-controllable rectifiers . Free-wheeling diodes.

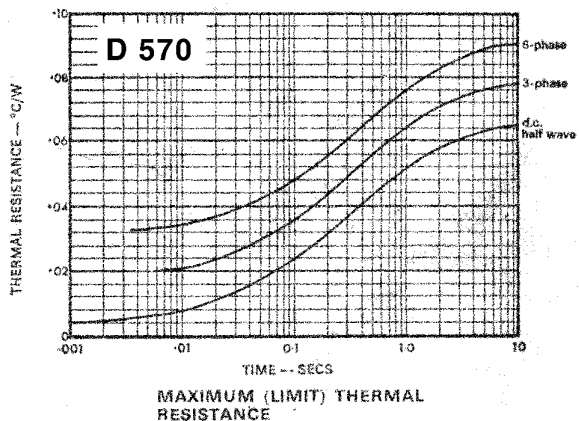
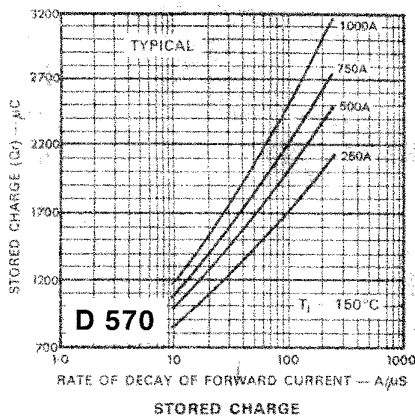
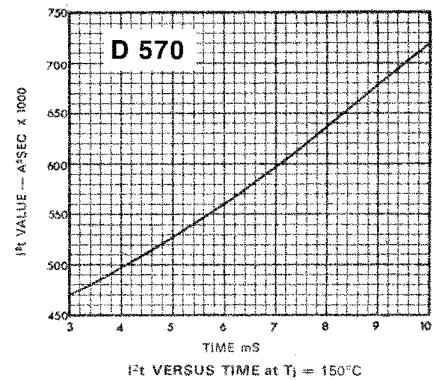
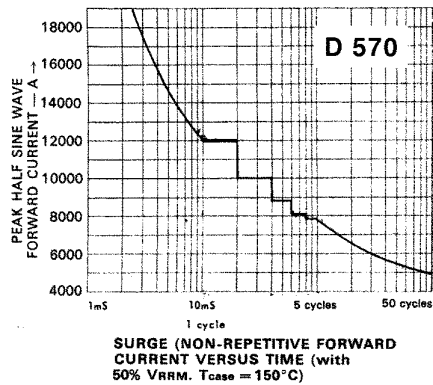
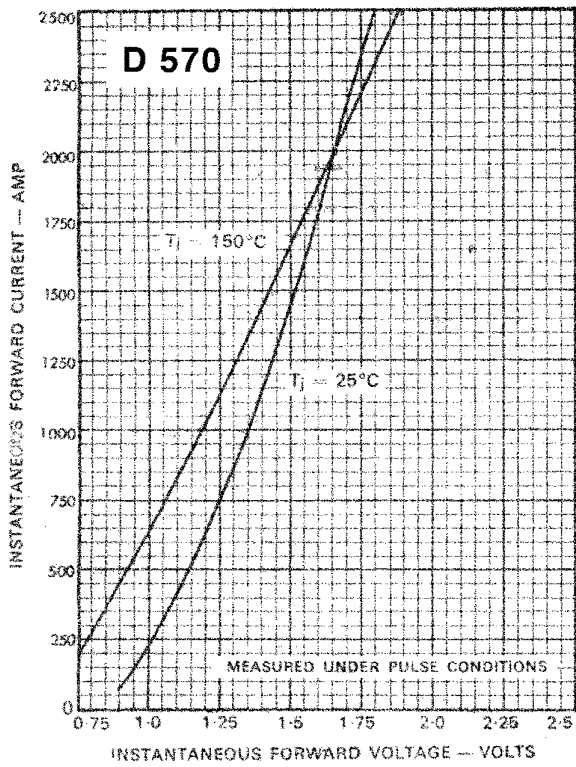
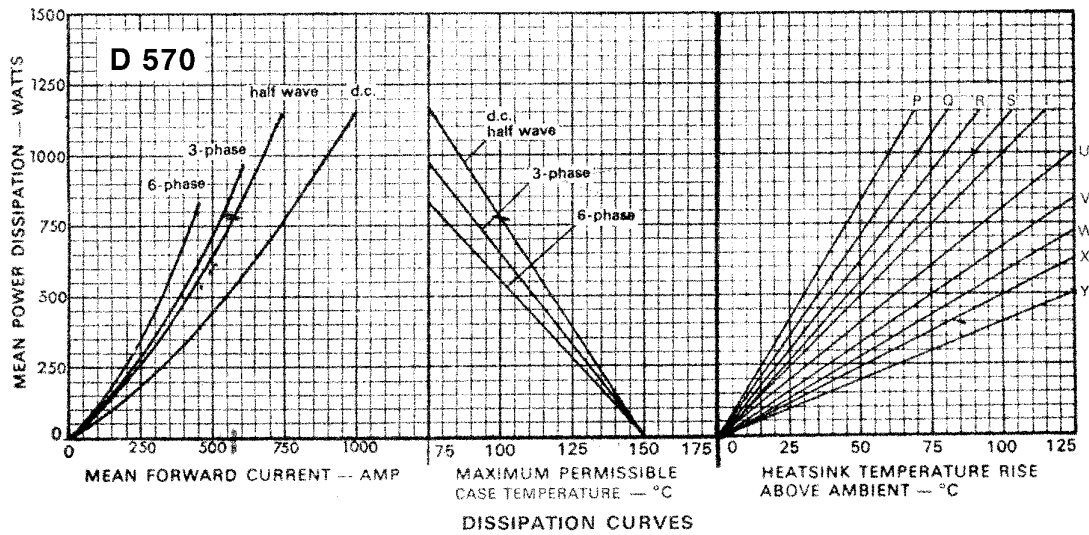
Type No.	V_{RRM} (Volts)	V_{RSM} (Volts)
D570/32	3200	3300
D570/34	3400	3500
D570/36	3600	3700
D570/38	3800	3900
D570/40	4000	4100
D570/43	4300	4400

Features

- Reverse voltage upto 4300V.
- C: Cathode to stud
- A: Anode to stud

Symbol	Conditions	Values
$I_{F(AV)}$	Sin 180; Tcase = 100 °C	570 A
I_{FSM}	Tvj = 150 °C ; 10 ms with 50% VRRM	12000 A
I^2t	Tvj = 150 °C ; 10 ms Tvj = 150 °C ; 3 ms	720000 A ² s 470000 A ² s
I_{RRM}	Tvj = 150 °C	50 mA max
V_F	Tvj = 25 °C ; $I_F = 1800$ A	1.60 V max
V_o	Tvj = 150 °C	0.75 V
R_o	Tvj = 150 °C	0.44 m
$R_{th(j-c)}$ T_{vj} T_{stg}	d.c. Half wave	0.065 °C/W 150 °C -40.....+ 150 °C
Mounting torque	SI units	15 Nm /Bolt
Weight	Approx	750 g
Case outline		U (WITH -J HEADER) U (WITH -X HEADER)

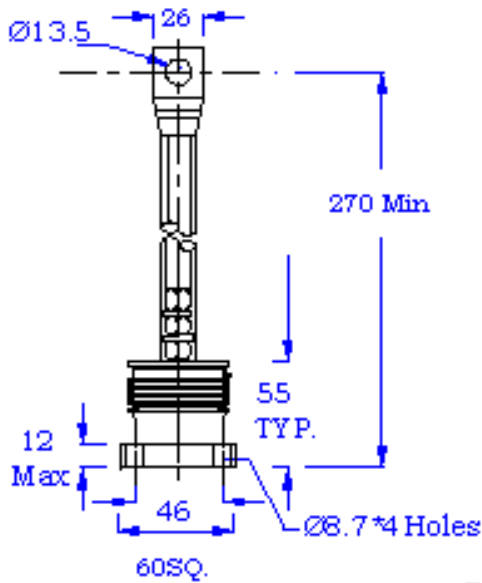




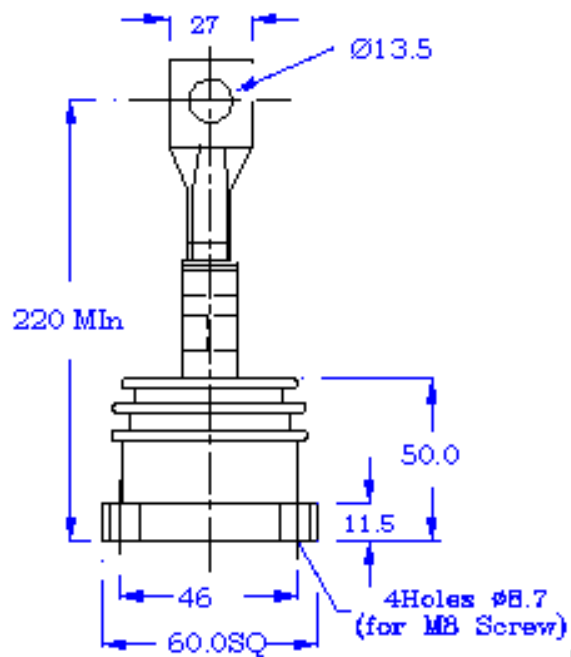
PACAKAGE DEATILS

DO NOT SCALE

All Dimensions in mm



Mounting Torque 15NM/bolt **U (X-Header)**



Mounting Torque 15Nm/Bolt **U (J-Header)**