

# UTC LM339

# LINEAR INTEGRATED CIRCUIT

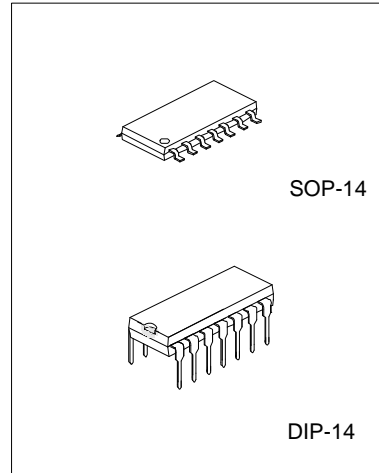
## QUAD DIFFERENTIAL COMPARATOR

### DESCRIPTION

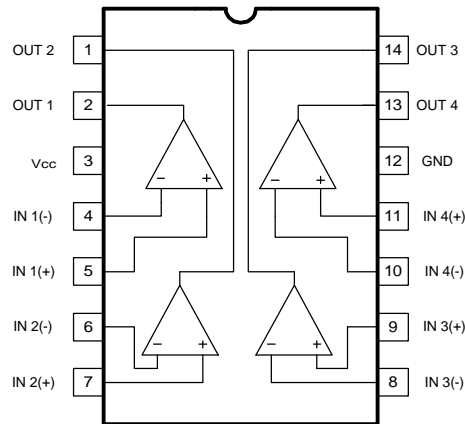
The UTC LM339 consists of four independent voltage comparators, designed specifically to operate from a single power supply over a wide voltage range.

### FEATURES

- \*Signal or dual supply operation.
- \*Wide operating supply range( $V_{cc}=2V\sim 36V$ ).
- \*Input common-mode voltage includes ground.
- \*Low supply current drain  $I_{CC}=0.8mA$ (Typical).
- \*Open collector outputs for wired and connection.
- \*Low input bias current  $I_{bias}=25nA$ (Typical).
- \*Low output saturation voltage.
- \*Output compatible with TTL, DTL, and CMOS logic system.



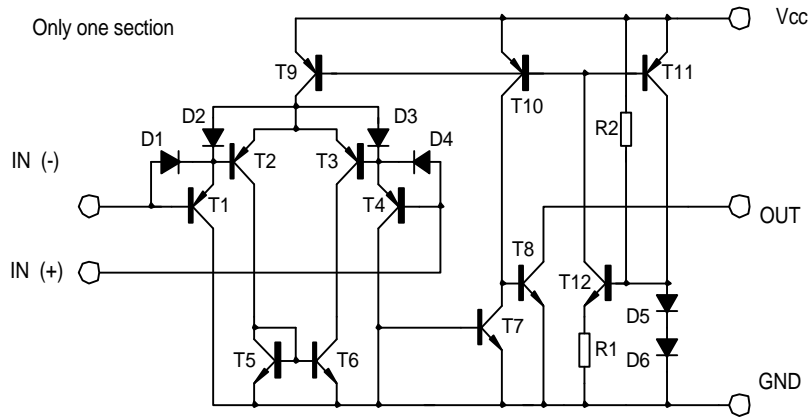
### PIN CONFIGURATIONS



# UTC LM339

# LINEAR INTEGRATED CIRCUIT

## BLOCK DIAGRAM



## ABSOLUTE MAXIMUM RATINGS(Ta=25°C)

PARAMETER	SYMBOL	VALUE	UNIT
Supply Voltage	Vcc	± 18 OR 36	V
Differential input Voltage	V <sub>IDiff</sub>	36	V
Input Voltage	V <sub>I</sub>	-0.3~36V	V
Power Dissipation	P <sub>d</sub>	570	mW
Operating Temperature	T <sub>opr</sub>	0 to +70	°C
Storage Temperature	T <sub>stg</sub>	-65 to 150	°C

## ELECTRICAL CHARACTERISTICS

(Vcc=5.0V, Ta=25°C, All voltage referenced to GND unless otherwise specified)

PARAMETER	SYMBOL	TEST CONDITIONS	MIN	TYP.	MAX	UNIT
Input Offset Voltage	V <sub>io</sub>	V <sub>CM</sub> =0 to V <sub>cc</sub> -1.5 V <sub>o(p)</sub> =1.4V, R <sub>s</sub> =0		±1.5	±5.0	mV
Input Offset Current	I <sub>io</sub>			±2.3	±50	nA
Input Bias Current	I <sub>b</sub>			57	250	nA
Input Common-Mode Voltage Range	V <sub>I(R)</sub>		0		V <sub>cc</sub> -1.5	V
Supply Current	I <sub>cc</sub>	R <sub>L</sub> =∞		1.1	2.0	mA
Large Signal Voltage Gain	G <sub>v</sub>	V <sub>cc</sub> =15V, R <sub>L</sub> >15kΩ	50	200		V/mV
Large Signal Response Time	t <sub>res</sub>	V <sub>i</sub> =TTL logic wing V <sub>ref</sub> =1.4V, V <sub>RL</sub> =5V, R <sub>L</sub> =5.1kΩ		350		ns
Response Time	t <sub>res</sub>	V <sub>RL</sub> =5V, R <sub>L</sub> =5.1kΩ		1400		ns
Output Sink Current	I <sub>sink</sub>	V <sub>i(-)</sub> >1V, V <sub>i(+)</sub> =0V, V <sub>o(p)</sub> <1.5V	6	18		mA
Output Saturation Voltage	V <sub>sat</sub>	V <sub>i(-)</sub> >1V, V <sub>i(+)</sub> =0V, I <sub>sink</sub> =4mA		140	400	mV
Output Leakage Current	I <sub>leakage</sub>	V <sub>i(+)</sub> =1V, V <sub>i(-)</sub> =0 V <sub>o(p)</sub> =5V V <sub>o(p)</sub> =30V		0.1	1.0	nA μA
Differential Input Voltage	V <sub>I(diff)</sub>				36	V

# UTC

UNISONIC TECHNOLOGIES CO., LTD.

2

QW-R104-001,B

# UTC LM339 LINEAR INTEGRATED CIRCUIT

## TYPICAL PERFORMANCE CHARACTERISTICS

