

UTC LM358 LINEAR INTEGRATED CIRCUIT

DUAL OPERATIONAL AMPLIFIER

DESCRIPTION

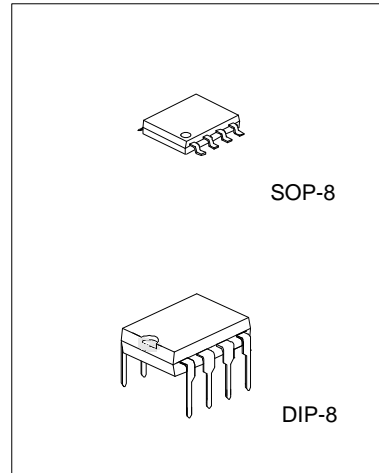
The UTC LM358 consists of two independent high gain, internally frequency compensated operational amplifier. It can be operated from a single power supply and also split power supplies.

FEATURES

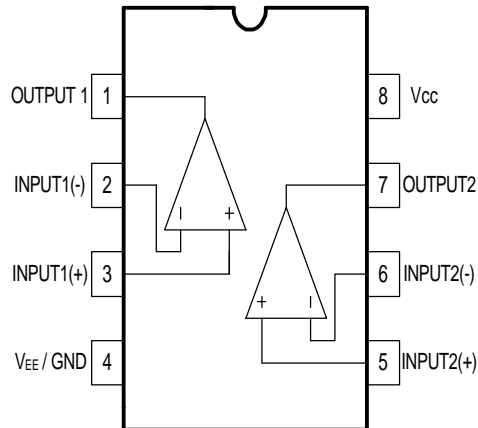
- *Internally frequency compensated for unity gain.
- *Wide power supply range 3V - 32V.
- *Input common-mode voltage range include ground.
- *Large DC voltage gain.

APPLICATIONS

- *General purpose amplifier.
- *Transducer amplifier.

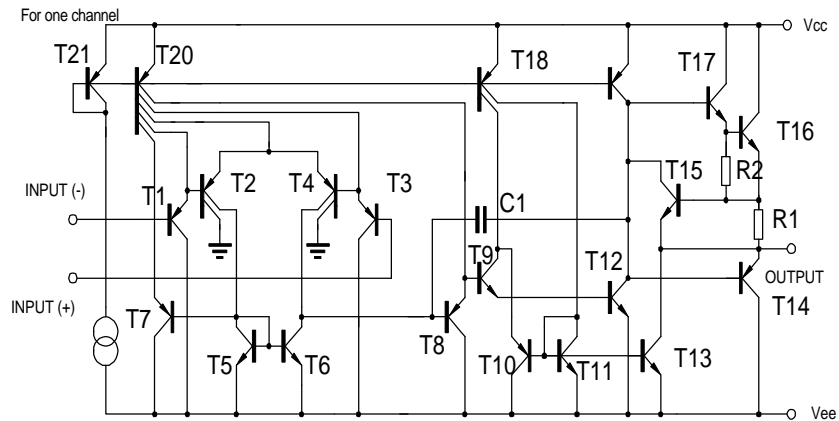


PIN CONFIGURATIONS



UTC LM358 LINEAR INTEGRATED CIRCUIT

BLOCK DIAGRAM



ABSOLUTE MAXIMUM RATINGS

PARAMETER	SYMBOL	VALUE	UNIT
Supply Voltage	V _{cc}	+16 or 32	V
Differential Input Voltage	V _{I(DIFF)}	+32	V
Input Voltage	V _I	-0.3 ~ +32	V
Output Short to Ground		Continuous	
Operating Temperature Range	TOPR	0 ~ +70	°C
Storage Temperature Range	TSTG	-65 ~ +150	°C

ELECTRICAL CHARACTERISTICS ($V_{CC}=5.0V, V_{EE}=GND, T_A=25^{\circ}C$, unless otherwise specified) ©

PARAMETER	SYMBOL	TEST CONDITION	MIN	TYP	MAX	UNIT
Input Offset Voltage	VIO	VCM=0V to VCC-1.5V VO(P)=1.4V, RS=0Ω		2.9	7.0	mV
Input Offset Current	IIO			5	50	nA
Input Bias Current	IBIAS			45	250	nA
Input Common Mode Voltage	VI(R)	VCC=30V	0		VCC-1.5	V
Power Supply Current	ICC	RL=∞, VCC=30V		0.8	2.0	mA
		RL=∞, Full Temperature Range		0.5	1.2	mA
Large Signal Voltage Gain	GV	VCC=15V, RL>=2KΩ VO(P)=1V to 11V	25	100		V/mV
Output Voltage Swing	VO(H)	VCC=30V, RL=2KΩ	26			V
		VCC=30V, RL=10KΩ	27	28		V
	VO(L)	VCC=5V, RL>=10KΩ		5	20	mV
Common Mode Rejection Ratio	CMRR		65	80		dB
Power Supply Rejection Ratio	PSRR		65	100		dB
Channel Separation	CS	f=1KHZ to 20KHZ		120		dB
Short Circuit Current to Ground	ISC			40	60	mA
Output Current	ISOURCE	VI(+)=1V, VI(-)=0V VCC=15V, VO(P)=2V	10	30		mA
	ISINK	VI(+)=0V, VI(-)=1V VCC=15V, VO(P)=2V	10	15		mA
		VI(+)=0V, VI(-)=1V VCC=15V, VO(P)=200mV	12	100		mA
Differential Input Voltage	VI(DIFF)				VCC	V

UTC LM358 LINEAR INTEGRATED CIRCUIT

TYPICAL PERFORMANCE CHARACTERISTICS

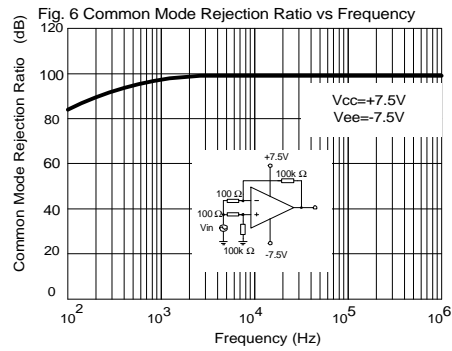
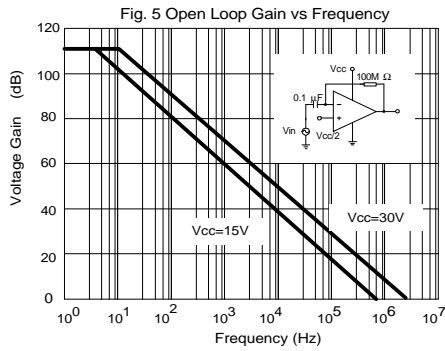
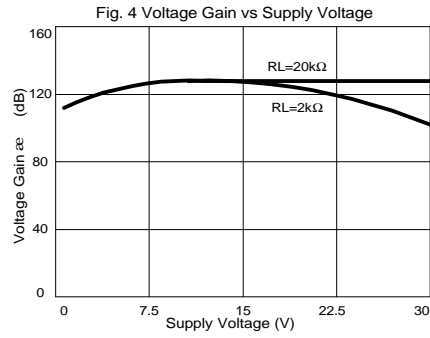
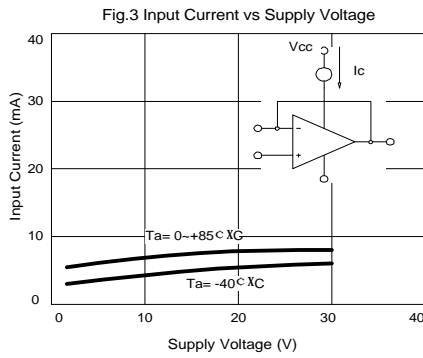
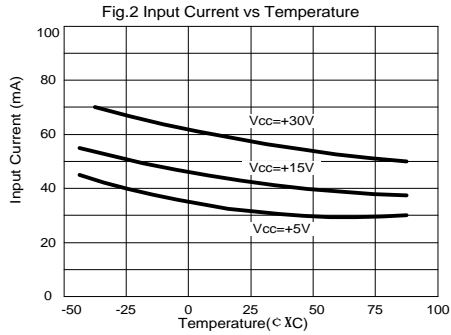
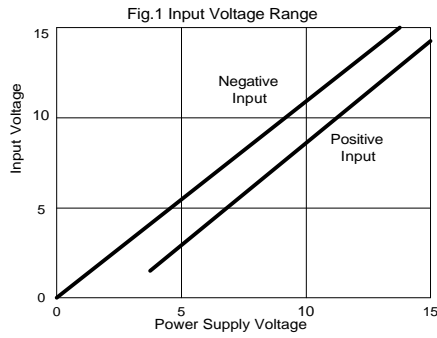


Fig. 7 Voltage Follower Pulse Response

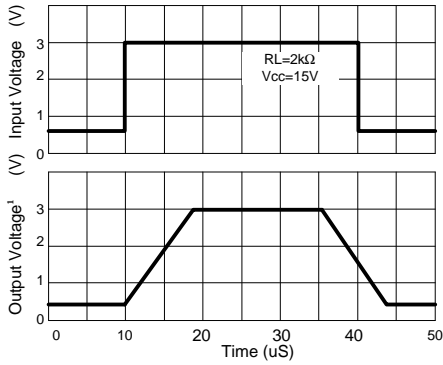


Fig. 8 Voltage Follower Response (Small Signal)

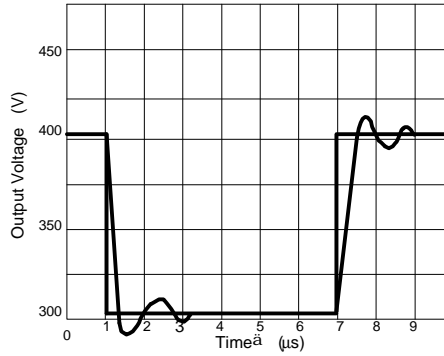


Fig. 9 Gain vs Large Signal Frequency

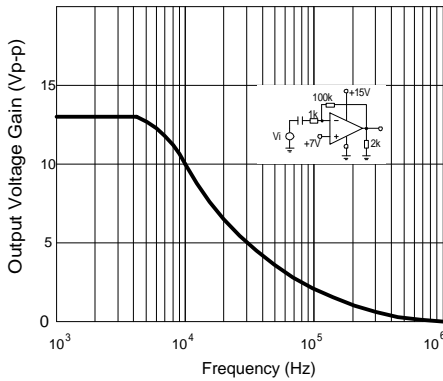


Fig. 10 Output Current Sinking vs Output Voltage

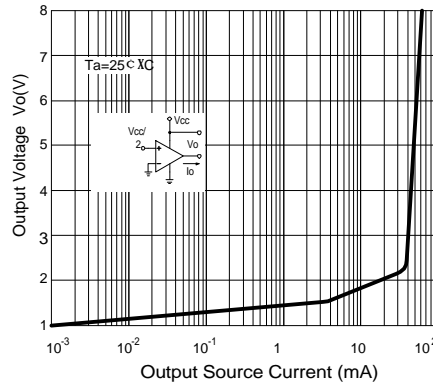


Fig. 11 Output Sink Current vs Output Voltage

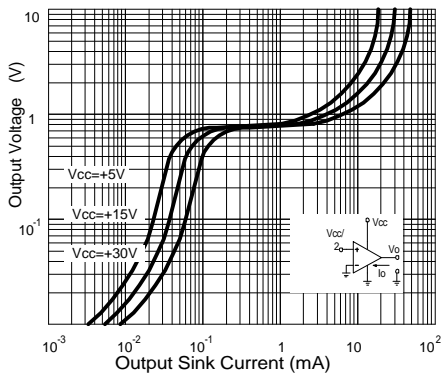


Fig. 12 Current Limiting vs Temperature

