

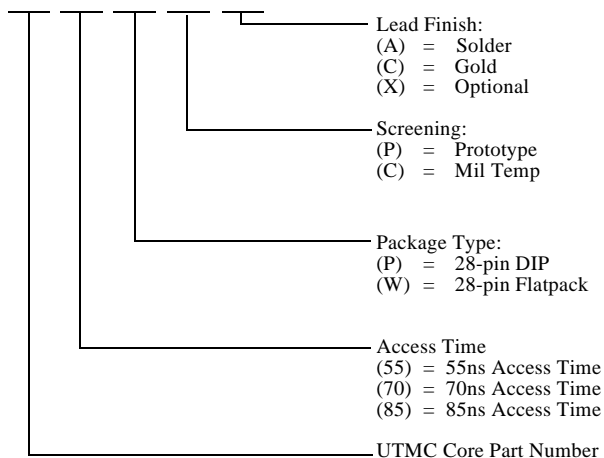
UTMC ERRATA SHEET

Updated Ordering Information as of 1/30/97

ORDERING INFORMATION

64K SRAM, 8K x 8

UT67164 * * * *



Notes:

1. Lead finish (A, C, or X) must be specified.
2. If an "X" is specified when ordering, part marking will match the lead finish and will be either "A" (solder) or "C" (gold).
3. 85ns not available for prototype flow devices.
4. Mil Temp range flow per UTMC's manufacturing flows document. Devices have 48 hours of burn-in and are tested at -55C, room temp, and 125C. Radiation neither tested or guaranteed.
5. Prototype flow per UTMC's document manufacturing flows. Prototype assembly is tested at 25C only. Radiation is neither tested nor guaranteed.