



FEATURES

- $\overline{\text{RAS}}$ access time: 35, 40, 50, 60
- 2 $\overline{\text{CAS}}$ Byte/Word Read/Write operation
- $\overline{\text{CAS}}$ - before $\overline{\text{RAS}}$ refresh capability
- $\overline{\text{RAS}}$ only and Hidden refresh capability
- Early write or output enable controlled write
- Extended Data Out operation
- Package : 40 pin 400mil SOJ
40 / 44 pin 400mil TSOP- II
- Single +5V±10% power supply
- TTL compatible inputs and outputs
- 512 refresh cycles /8ms

Speed	-35	-40	-50	-60
t_{RAC}	35ns	40ns	50ns	60ns
t_{CAA}	18ns	20ns	24ns	30ns
t_{PC}	14ns	15ns	19ns	27ns
t_{CAC}	11ns	12ns	14ns	15ns
t_{RC}	70ns	75ns	90ns	110ns

GENERAL DESCRIPTION

The UT51C164 is high speed 5V EDO DRAMs organized as 256K bit X 16 I/O and fabricated with the CMOS process. The UT51C164 offers a combination of unique features including : EDO Page Mode operation for higher bandwidth with Page Mode cycle time as short as 14ns. All inputs are TTL compatible. Input and output capacitance is significantly lowered to increase performance and minimize loading. These features make the UT51C164 suited for wide variety of high performance computer systems and peripheral applications

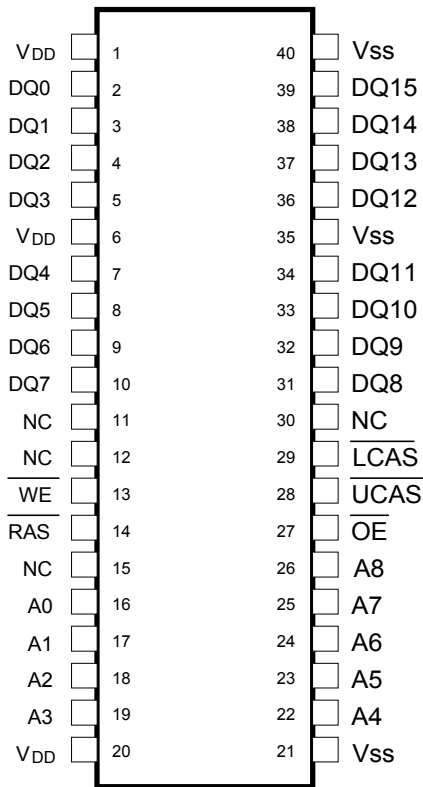


PIN DESCRIPTION

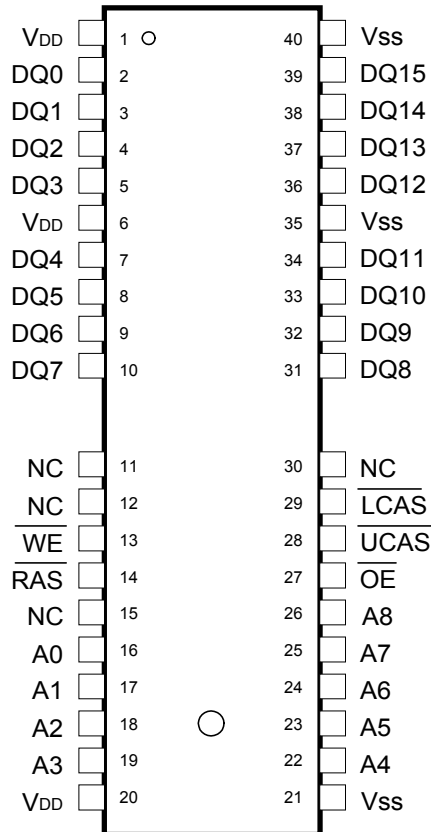
SYMBOL	DESCRIPTION
A0-A8	Address Inputs
RAS	Row Address Strobe
UCAS	Column Address Strobe / Upper Byte Control
LCAS	Column Address Strobe / Lower Byte Control
WE	Write enable
OE	Output enable
DQ0-DQ15	Data Inputs, Data Outputs
VDD	+5V Supply
Vss	0V Supply
NC	No Connect

PIN CONFIGURATIONS

UT51C164
40-pin SOJ

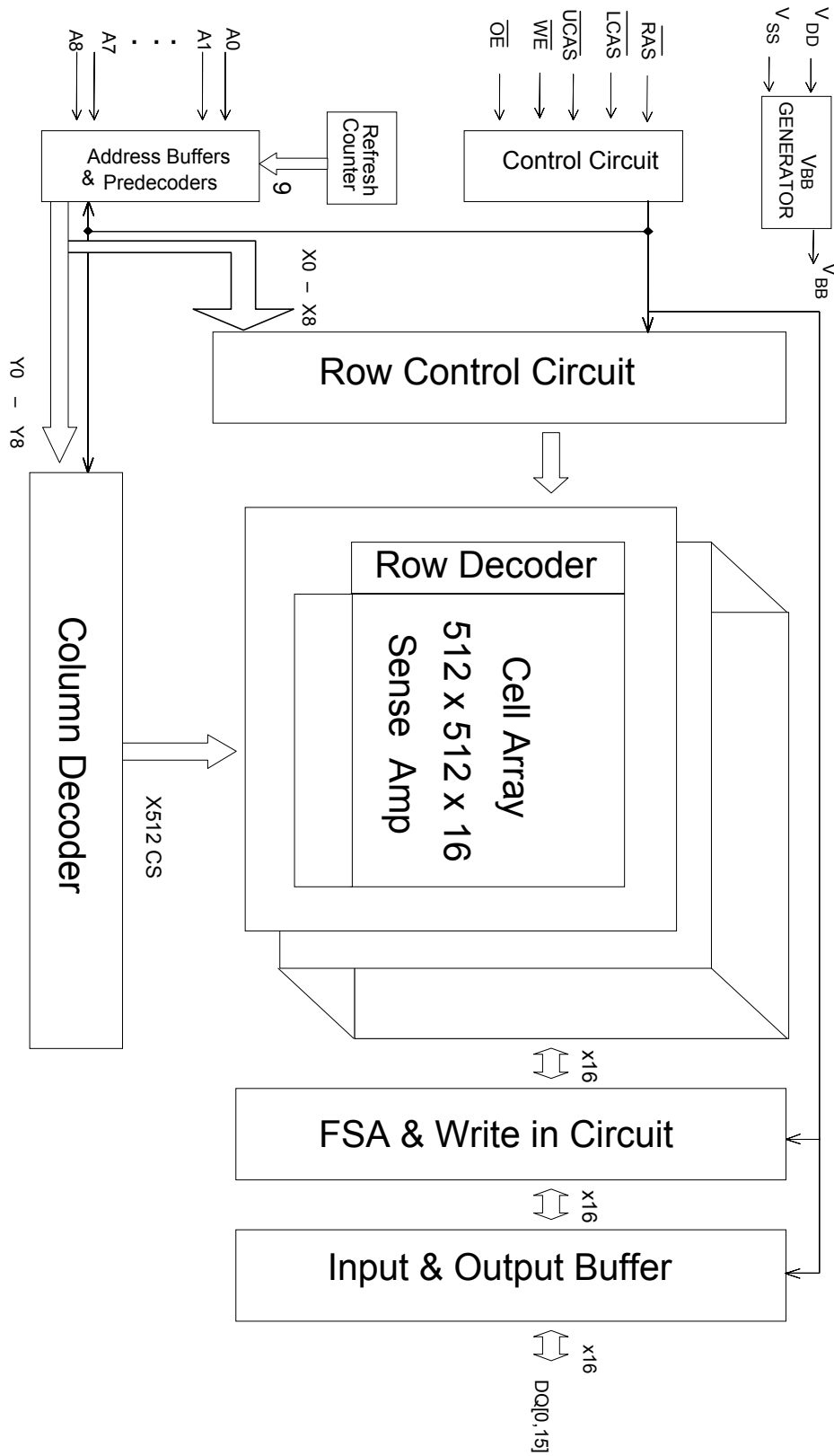


UT51C164
40-pin TSOP - II





FUNCTION BLOCK DIAGRAM



**ABSOLUTE MAXIMUM RATINGS**

PARAMETER	SYMBOL	VALUE	UNIT
Voltage on any pin relative to V _{ss}	V _T	-1.0 to +7	V
Supply voltage relative to V _{ss}	V _{DD}	-1.0 to +7	V
Short circuit output current	I _{OUT}	50	mA
Power dissipation	P _D	1.0	W
Operating temperature	T _A	0 to + 70	°C
Storage temperature	T _{STG}	-55 to +125	°C

Notes: Permanent device damage may occur if absolute maximum ratings are exceed.

RECOMMENDED DC OPERATING CONDITIONS (T_A = 0°C to 70°C)

PARAMETER	SYMBOL	5.0V		UNIT	NOTES
		MIN	MAX		
Supply voltage	V _{DD}	4.5	5.5	V	1
	V _{SS}	0	0	V	-
Input high voltage	V _{IH}	2.4	V _{DD} +1V	V	1
Input low voltage	V _{IL}	-0.3	0.8	V	1

Notes: 1. All Voltage referred to V_{ss}

CAPACITANCE (T_A = 25°C, V_{DD} = 5V±0.5V, f = 1MHz)

PARAMETER	SYMBOL	TYP	MAX	UNIT
Input capacitance (A0-A8)	C _{IN1}	3	4	pF
Input Capacitance ($\overline{\text{RAS}}$, $\overline{\text{UCAS}}$, $\overline{\text{LCAS}}$, $\overline{\text{WE}}$, $\overline{\text{OE}}$)	C _{IN2}	4	5	pF
Output capacitance(DQ0-DQ15)	C _{DQ}	5	7	pF

**DC CHARACTERISTICS** ($T_A = 0^\circ\text{C}$ to 70°C , $V_{DD} = 5.0\text{ V} \pm 0.5\text{ V}$, $V_{SS} = 0\text{ V}$)

SYMBOL	PARAMETER	SPEED (t_{RAC})	UT51C164		UNIT	TEST CONDITION
			Min	Max		
IDD1	Operating Current, V_{DD} Supply	-35	-	190	mA	$t_{RC} = t_{RC}(\text{min.})$
		-40	-	180		
		-50	-	170		
		-60	-	160		
IDD2	Standby Current (TTL Input)	-	-	3	mA	$\overline{RAS} = \overline{UCAS} = \overline{LCAS}$ $= V_{IH}$
IDD3	\overline{RAS} Only Refresh Current	-35	-	190	mA	$t_{RC} = t_{RC}(\text{min.})$
		-40	-	180		
		-50	-	170		
		-60	-	160		
IDD4	EDO Page Mode Current	-35	-	220	mA	$t_{PC} = t_{PC}(\text{min.})$
		-40	-	200		
		-50	-	190		
		-60	-	180		
IDD5	CBR Refresh Current	-35	-	190	mA	$t_{RC} = t_{RC}(\text{min.})$
		-40	-	180		
		-50	-	170		
		-60	-	160		
IDD6	Standby Current (CMOS Input)	-	-	2	mA	$\overline{RAS} \geq V_{DD} - 0.2\text{V}$ $\overline{CAS} \geq V_{DD} - 0.2\text{V}$ All other inputs $\geq V_{SS}$
V_{DD}	Power Supply	-	4.5	5.5	V	
ILI	Input Leakage Current	-	-10	10	μA	$V_{SS} \leq V_{IN} \leq V_{DD}$
ILO	Output Leakage Current	-	-10	10	μA	$V_{SS} \leq V_{OUT} \leq V_{DD}$ $\overline{RAS} = \overline{CAS} = V_{IH}$
VIL	Input Low Voltage	-	-1	0.8	V	
VIH	Input High Voltage	-	2.4	$V_{DD} + 1$	V	
VOL	Output Low Voltage	-	-	0.4	V	$I_{OI} = 2\text{mA}$
VOH	Output High Voltage	-	2.4	-	V	$I_{OH} = 2\text{mA}$

Notes: I_{DD1} , I_{DD3} , I_{DD4} , I_{DD5} are dependent on output loading and cycle rates. Specified values are obtained with the output open. I_{DD} is specified as an average current. In I_{DD1} , I_{DD3} , and I_{DD5} address can be changed maximum once while $\overline{RAS} = V_{IL}$. In I_{DD4} , address can be changed maximum once within one EDO page cycle time, t_{PC} .

**AC CHARACTERISTICS** ($T_A = 0^\circ\text{C}$ to 70°C)Test condition: $V_{DD} = 5.0\text{V} \pm 0.5\text{V}$, $V_{IH} / V_{IL} = 3\text{V} / 0\text{V}$, $V_{OH} / V_{OL} = 2.0 / 0.8$

	SYMBOL	PARAMETER	35		40		50		60		UNIT	NOTE
			Min.	Max.	Min.	Max.	Min.	Max.	Min.	Max.		
1	t_{RAS}	$\overline{\text{RAS}}$ Pulse Width	35	75K	40	75K	50	75K	60	75K	ns	
2	t_{RC}	Read or Write Cycle Time	70		75		90		110		ns	
3	t_{RP}	$\overline{\text{RAS}}$ Precharge Time	25		25		30		40		ns	
4	t_{CSH}	$\overline{\text{CAS}}$ Hold Time	35		40		50		60		ns	
5	t_{CAS}	$\overline{\text{CAS}}$ Pulse Width	8		8		10		10		ns	
6	t_{RCD}	$\overline{\text{RAS}}$ to $\overline{\text{CAS}}$ Delay	13	24	17	28	19	36	20	45	ns	
7	t_{RCS}	Read Command Setup Time	0		0		0		0		ns	*1
8	t_{ASR}	Row Address Setup Time	0		0		0		0		ns	
9	t_{RAH}	Row Address Hold Time	6		7		9		10		ns	
10	t_{ASC}	Column Address Setup Time	0		0		0		0		ns	
11	t_{CAH}	Column Address Hold Time	6		7		9		10		ns	
12	t_{RSH}	$\overline{\text{RAS}}$ to $\overline{\text{CAS}}$ Hold Time	10		12		14		15		ns	
13	t_{CRP}	$\overline{\text{CAS}}$ to $\overline{\text{RAS}}$ Precharge Time	5		5		5		5		ns	
14	t_{RCH}	Read Command Hold Time Reference $\overline{\text{CAS}}$	0		0		0		0		ns	*2
15	t_{RRH}	Read Command Hold Time Reference $\overline{\text{RAS}}$	0		0		0		0		ns	*2
16	t_{ROH}	$\overline{\text{RAS}}$ Hold Time Referenced to $\overline{\text{OE}}$	7		8		10		10		ns	
17	t_{OAC}	Access Time from $\overline{\text{OE}}$		11		12		14		15	ns	*9
18	t_{CAC}	Access Time from $\overline{\text{CAS}}$		11		12		14		15	ns	*3,4,11
19	t_{RAC}	Access Time from $\overline{\text{RAS}}$		35		40		50		60	ns	*3,5,6
20	t_{CAA}	Access Time From Column Address		18		20		24		30	ns	*3,4,7
21	t_{LZ}	$\overline{\text{OE}}$ or $\overline{\text{CAS}}$ to Low-Z Output	0		0		0		0		ns	*13
22	t_{HZ}	$\overline{\text{OE}}$ or $\overline{\text{CAS}}$ to High-Z Output	0	5	0	6	0	8	0	10	ns	*13
23	t_{AR}	Column Address Hold Time from $\overline{\text{RAS}}$	25		30		40		50		ns	
24	t_{RAD}	$\overline{\text{RAS}}$ to Column Address Delay Time	10	17	12	20	14	26	15	30	ns	*8
25	t_T	Transition Time	1.5	50	1.5	50	1.5	50	1.5	50	ns	*12
26	t_{CWL}	Write Command to $\overline{\text{CAS}}$ Lead Time	8		10		10		10		ns	
27	t_{WCS}	Write Command Setup Time	0		0		0		0		ns	*9,10
28	t_{WCH}	Write Command Hold time	5		6		7		10		ns	
29	t_{WP}	Write Pulse Width	5		6		7		10		ns	



AC CHARACTERISTICS (continued)

	SYMBOL	PARAMETER	35		40		50		60		UNIT	NOTE
			Min.	Max.	Min.	Max.	Min.	Max.	Min.	Max.		
30	t_{WCR}	Write Command Hold Time from \overline{RAS}	25		30		40		50		ns	
31	t_{RWL}	Write Command to \overline{RAS} Lead Time	11		12		14		15		ns	
32	t_{DS}	Data in Setup Time	0		0		0		0		ns	*11
33	t_{DH}	Data in Hold Time	5		6		7		10		ns	*11
34	t_{WOH}	Write to \overline{OE} Hold time	5		6		8		10		ns	*11
35	t_{OED}	\overline{OE} to Data Delay Time	5		6		8		10		ns	*11
36	t_{RWC}	Read-Modify-Write Cycle Time	105		110		130		170		ns	
37	t_{RRW}	Read-Modify-Write Cycle Time \overline{RAS} Pulse Width	70		75		85		105		ns	
38	t_{CWD}	\overline{CAS} to \overline{WE} Delay in Read-Modify-Write Cycle	28		30		34		40		ns	*9
39	t_{RWD}	\overline{RAS} to \overline{WE} Delay in Read-Modify-Write Cycle	54		58		68		85		ns	*9
40	t_{CRW}	\overline{CAS} pulse Width in RMW	46		48		52		65		ns	
41	t_{AWD}	Column Address to \overline{WE} Delay Time	35		38		42		58		ns	*9
42	t_{PC}	EDO Page Mode Read or Write Cycle Time	14		15		19		27		ns	
43	t_{CP}	\overline{CAS} Precharge Time	4		5		7		10		ns	
44	t_{CAR}	Column Address to \overline{RAS} Setup Time	18		20		24		30		ns	
45	t_{CAP}	Access Time from Column Precharge		20		23		27		34	ns	*4
46	t_{DHR}	Data in Hold Time Referenced to \overline{RAS}	25		30		40		50		ns	
47	t_{CSR}	\overline{CAS} Setup Time in CBR Refresh	8		10		10		10		ns	
48	t_{RPC}	\overline{RAS} to \overline{CAS} Precharge Time	0		0		0		0		ns	
49	t_{CHR}	\overline{CAS} Hold Time in CBR Refresh	8		9		12		15		ns	
50	t_{PCM}	EDO Page Mode Cycle Time in RMW	55		60		70		85		ns	
51	t_{COH}	Output Hold After \overline{CAS} Low	3		3		3		3		ns	
52	t_{OES}	\overline{OE} Low to \overline{CAS} High Setup Time	3		4		6		8		ns	
53	t_{OEH}	\overline{OE} Hold Time from \overline{WE} in RMW Cycle	5		6		8		10		ns	
54	t_{OEP}	\overline{OE} Pulse Width	8		10		14		18		ns	
55	t_{REF}	Refresh Interval (512 Cycles)		8		8		8		8	ms	*14



Notes:

1. t_{RCD} (Max.) is specified for reference only. Operation within t_{RCD} (Max.) limits insures that t_{RAC} (Max.) and t_{CAA} (Max.) can be met. If t_{RCD} is greater than the specified t_{RCD} (Max.), the access time is controlled by t_{CAA} and t_{CAC} .
2. Either t_{RRH} or t_{RCH} must be satisfied for Read Cycle to occur.
3. Measured with a load equivalent to one TTL input and 50pF.
4. Access time is determined by the longest of t_{CAA} , t_{CAC} and t_{CAP} .
5. Assumes that $t_{RAD} \leq t_{RAD}(\text{Max.})$. If t_{RCD} is greater than $t_{RCD}(\text{Max.})$, t_{RAC} will increase by the amount that t_{RCD} exceeds $t_{RCD}(\text{Max.})$.
6. Assumes that $t_{RAD} \leq t_{RAD}(\text{Max.})$. If t_{RCD} is greater than $t_{RCD}(\text{Max.})$, t_{RAC} will increase by the amount that t_{RAD} exceeds $t_{RAD}(\text{Max.})$.
7. Assumes that $t_{RAD} \geq t_{RAD}(\text{Max.})$.
8. Operation within the $t_{RAD}(\text{Max.})$ limits ensures that t_{RA} can be met. $t_{RAD}(\text{Max.})$ is specified as a reference point only. If t_{RAD} is greater than the specified $t_{RAD}(\text{Max.})$, the access time is controlled by t_{CAA} and t_{CAC} .
9. t_{WCS} , t_{RWD} , t_{AWD} and t_{CWD} are not restrictive operating parameters.
10. $t_{WCS}(\text{min.})$ must be satisfied in an Early Write Cycle.
11. t_{DS} and t_{DH} are referenced to the latter occurrence of $\overline{\text{CAS}}$ or $\overline{\text{WE}}$.
12. t_T is measured between $V_{IH}(\text{min.})$ and $V_{IL}(\text{max.})$. AC-measurements assume $t_T = 3\text{ns}$.
13. Assumes a tri-state test load (5pF and a 500Ohm Thevenin equivalent).
14. An initial pause of 200us is required after power-up followed by any 8 CBR or ROR cycles before device operation is achieved.



TRUTH TABLE

FUNCTION	RAS	LCAS	UCAS	WE	OE	ADDRESS	DQ(0-7)	DQ(8-15)	NOTE
Standby	H	H	H	X	X	X	High-Z	High-Z	
Read: Word	L	L	L	H	L	ROW/COL	DQ-OUT		
Read: Lower Byte	L	L	H	H	L	ROW/COL	DQ-OUT	High-Z	
Read: Upper Byte	L	H	L	H	L	ROW/COL	High-Z	DQ-OUT	
Write: Word (Early-Write)	L	L	L	L	X	ROW/COL	DQ-IN		
Write: Lower Byte (Early-Write)	L	L	H	L	X	ROW/COL	DQ-IN	High-Z	
Write: Upper Byte (Early-Write)	L	H	L	L	X	ROW/COL	High-Z	DQ-IN	
Read-Write	L	L	L	H→L	L→H	ROW/COL	DQ-OUT,DQ-IN		*1,2
EDO Page-Mode Read	L	H→L	H→L	H	L	COL	DQ-OUT		*2
EDO Page-Mode Write	L	H→L	H→L	L	X	COL	DQ-IN		*2
EDO Page -Mode Read-Write	L	H→L	H→L	H→L	L→H	COL	DQ-OUT,DQ-IN		*1,2
Hidden Refresh Read	L→H→L	L	L	H	L	ROW/COL	DQ-OUT		*2
RAS Only Refresh	L	H	H	X	X	ROW	High-Z		
CBR Refresh	H→L	L	L	X	X	X	High-Z		

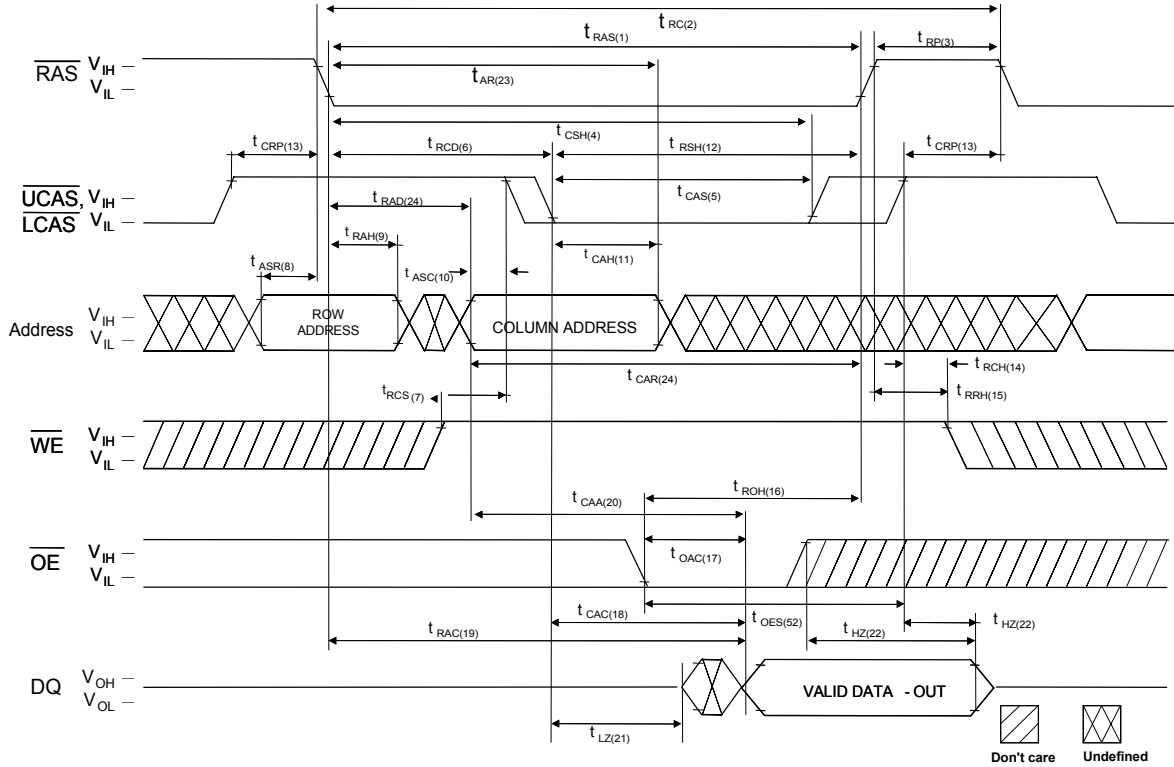
Notes:

1. Byte Write cycles $\overline{\text{LCAS}}$ or $\overline{\text{UCAS}}$ active.
2. Byte Read cycles $\overline{\text{LCAS}}$ or $\overline{\text{UCAS}}$ active.



UTRON EDO Mode, X16 (2CAS) Device Timing Diagram

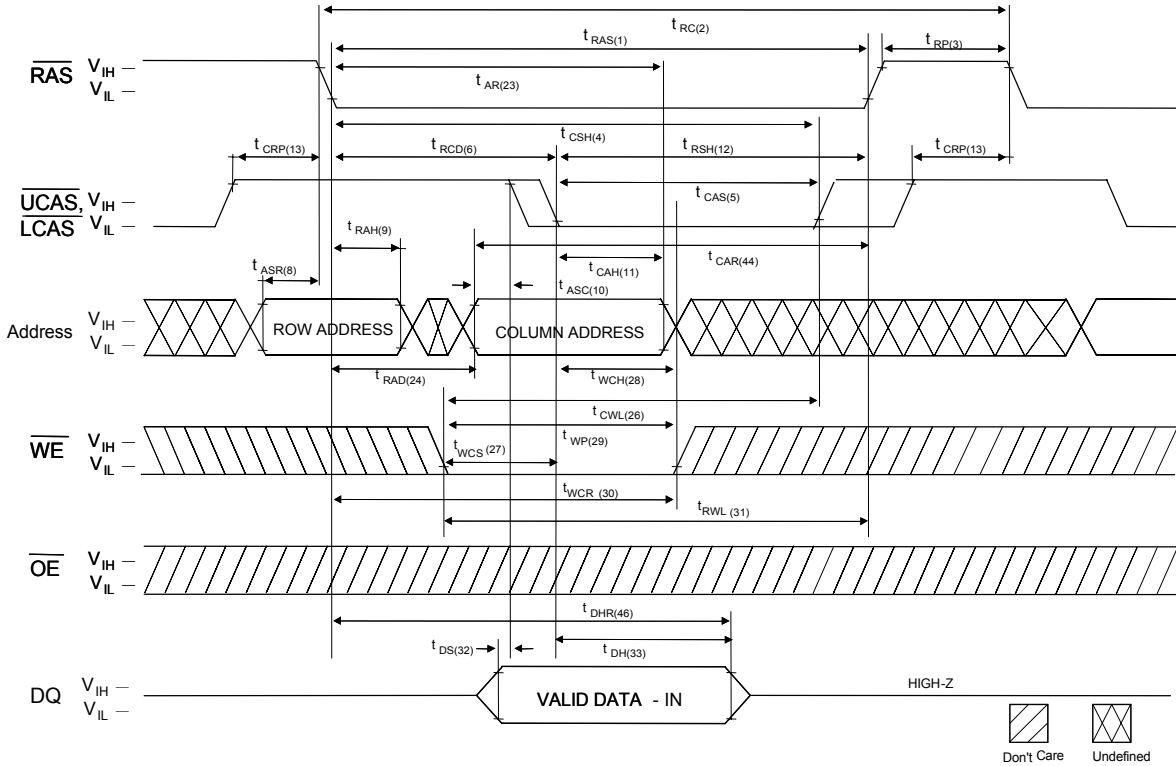
— Waveforms of Read Cycle





UTRON EDO Mode, X16 (2CAS) Device Timing Diagram

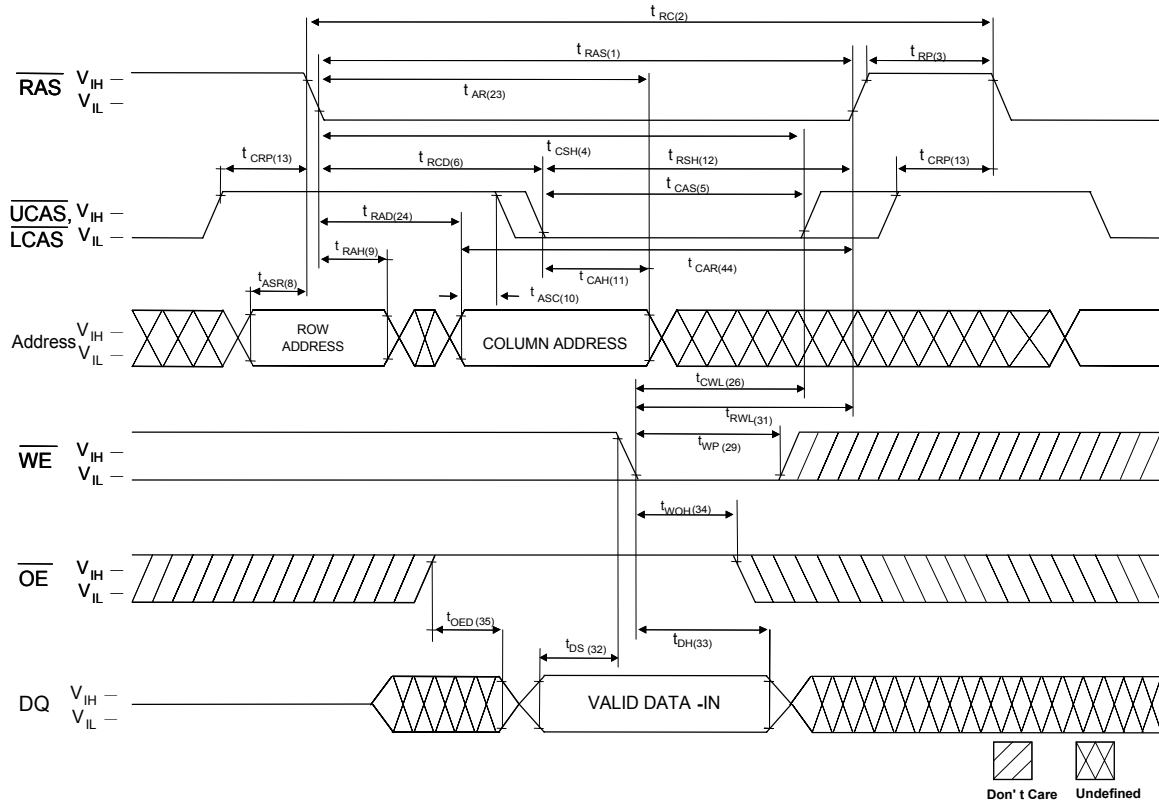
— Waveforms of Early Write Cycle





UTRON EDO Mode, X16 (2CAS) Device Timing Diagram

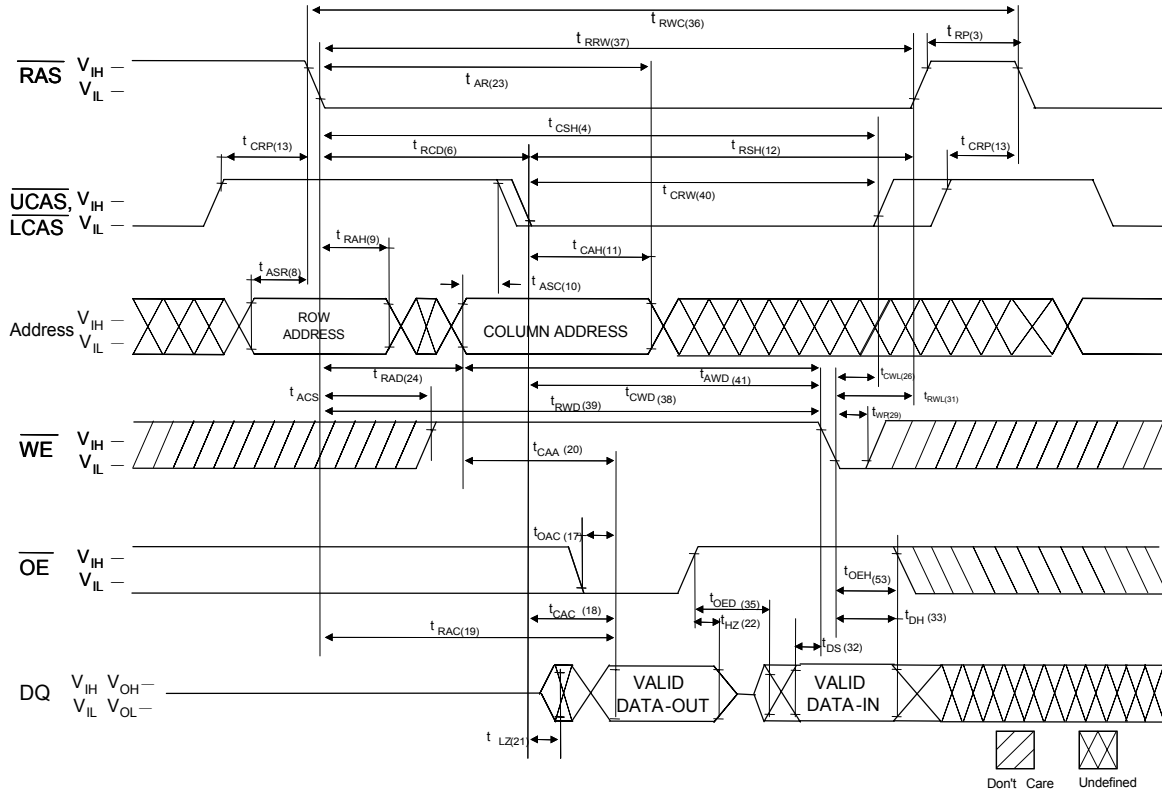
— Waveforms of OE-Contrlled Write Cycle





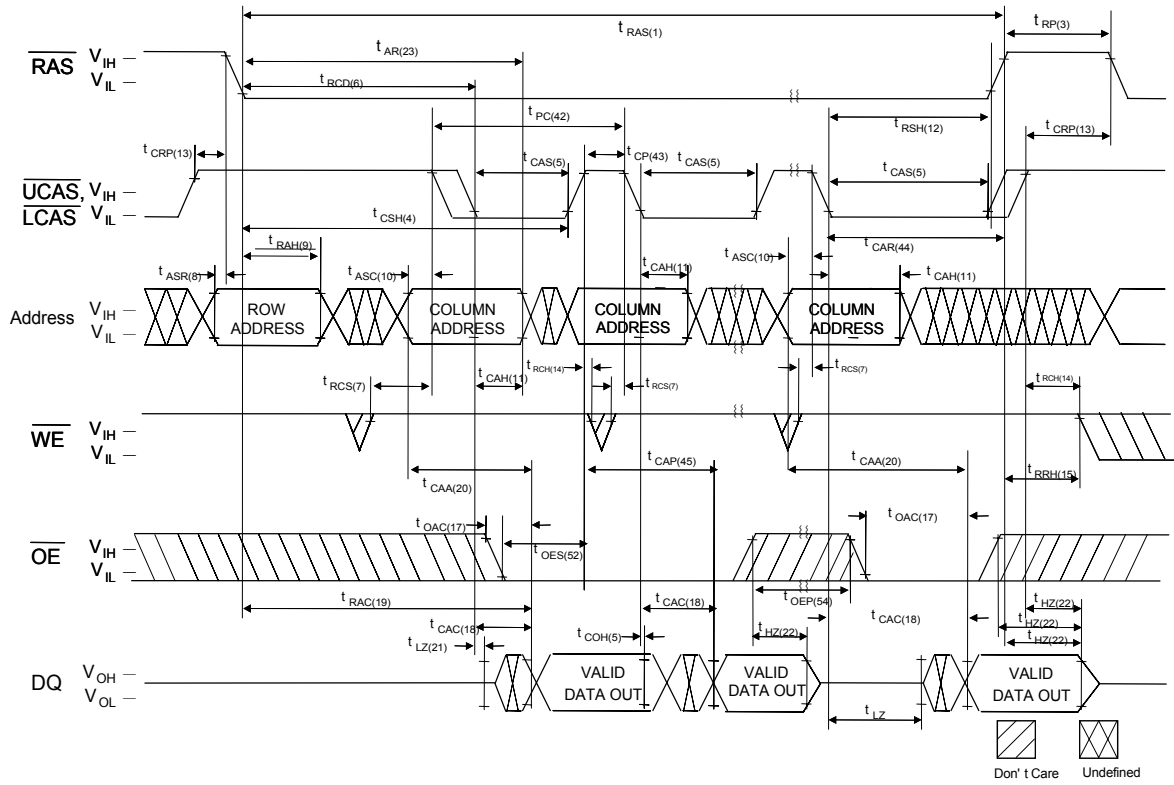
UTRON EDO Mode, X16 (2CAS) Device Timing Diagram

— Waveforms of Read -Modify-Write Cycle





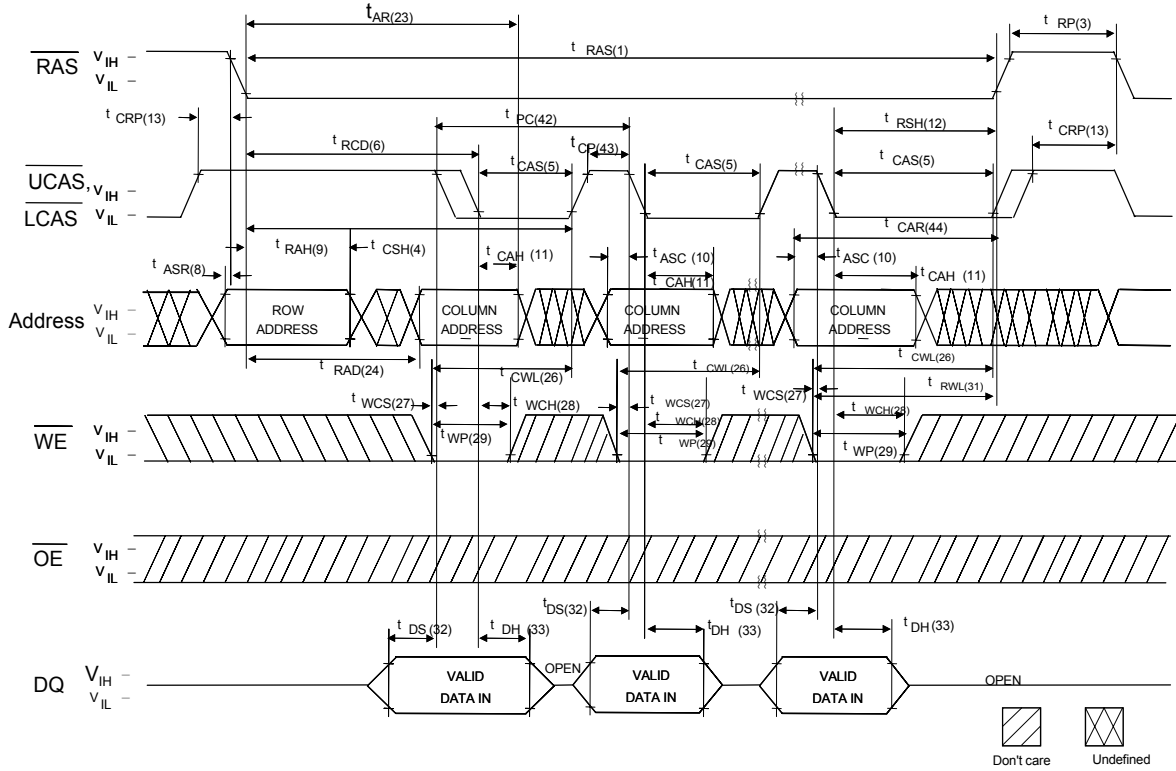
UTRON EDO Mode, X16 (2CAS) Device Timing Diagram
- EDO Page Mode Read Cycle





UTRON EDO Mode, X16 (2CAS) Device Timing Diagram

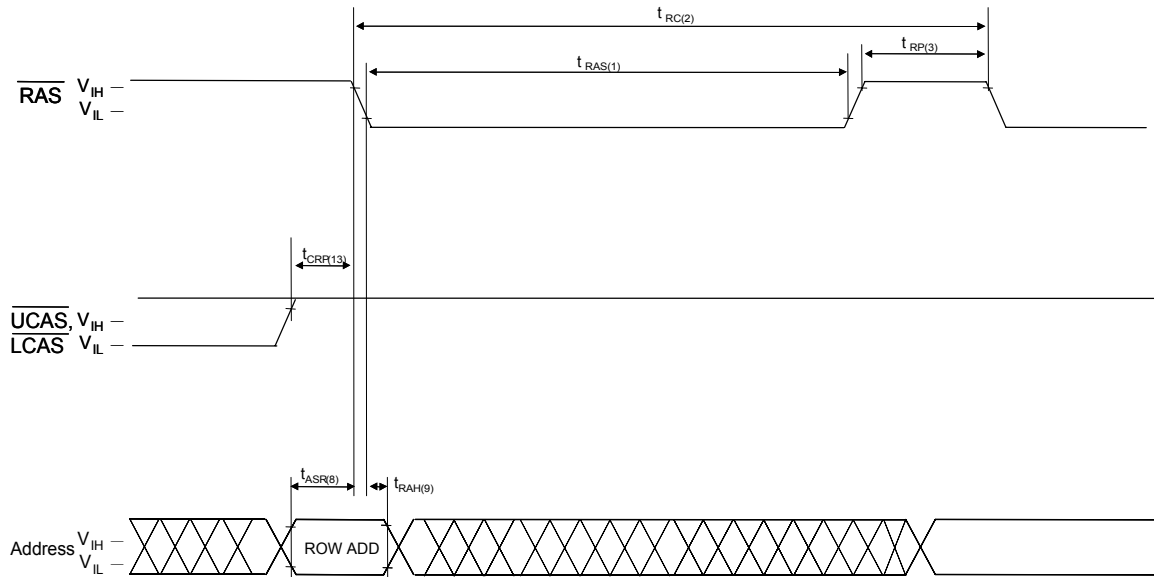
– EDO Page Mode Write Cycle



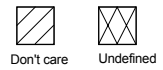


UTRON EDO Mode, X16 (2CAS) Device Timing Diagram

— Waveforms of RAS - Only Refresh Cycle



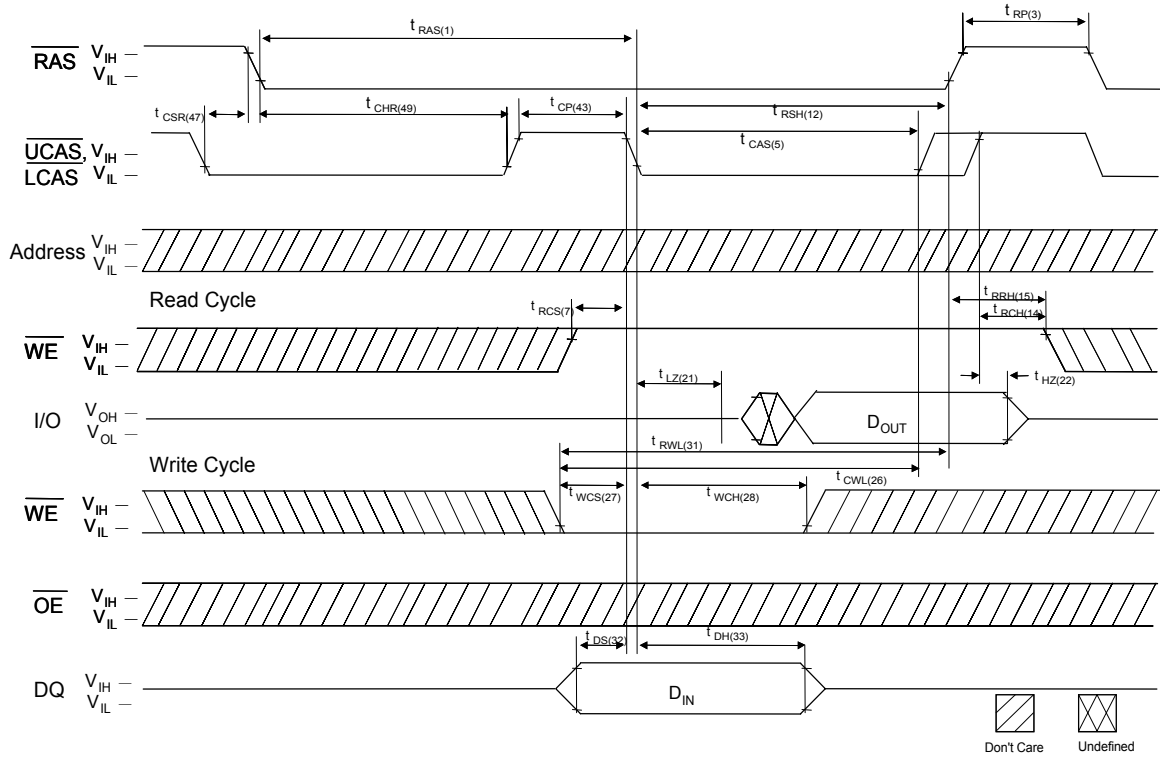
Note: \overline{WE} , \overline{OE} = Don't care





UTRON EDO Mode, X16 (2CAS) Device Timing Diagram

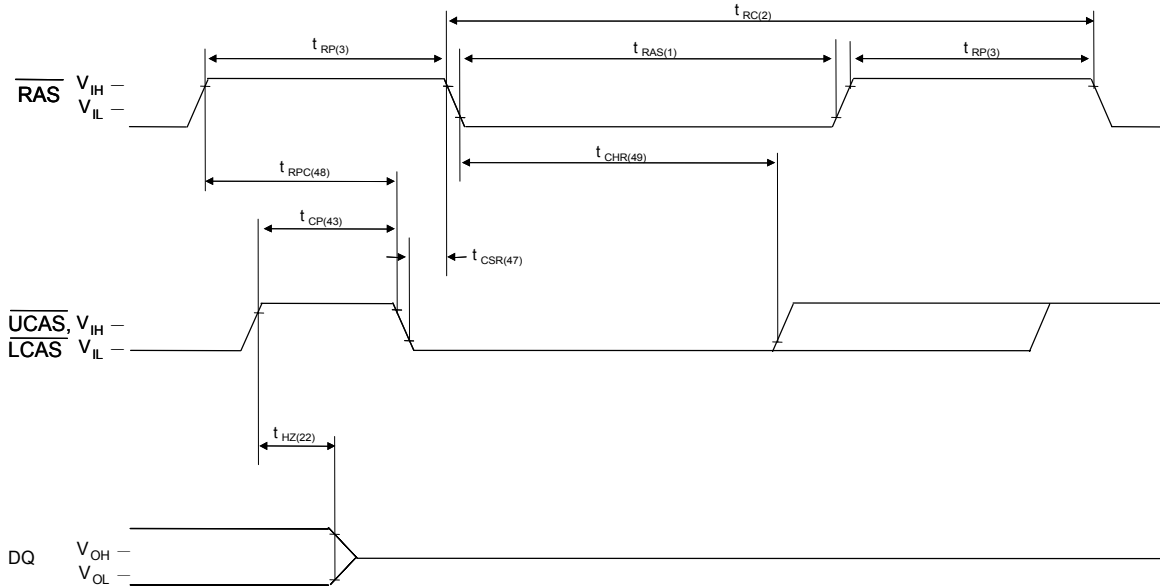
— Waveforms of CAS - before - RAS Refresh Counter Test Cycle



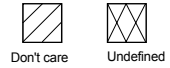


UTRON EDO Mode, X16 (2CAS) Device Timing Diagram

— Waveforms of CAS - before - RAS Refresh Cycle



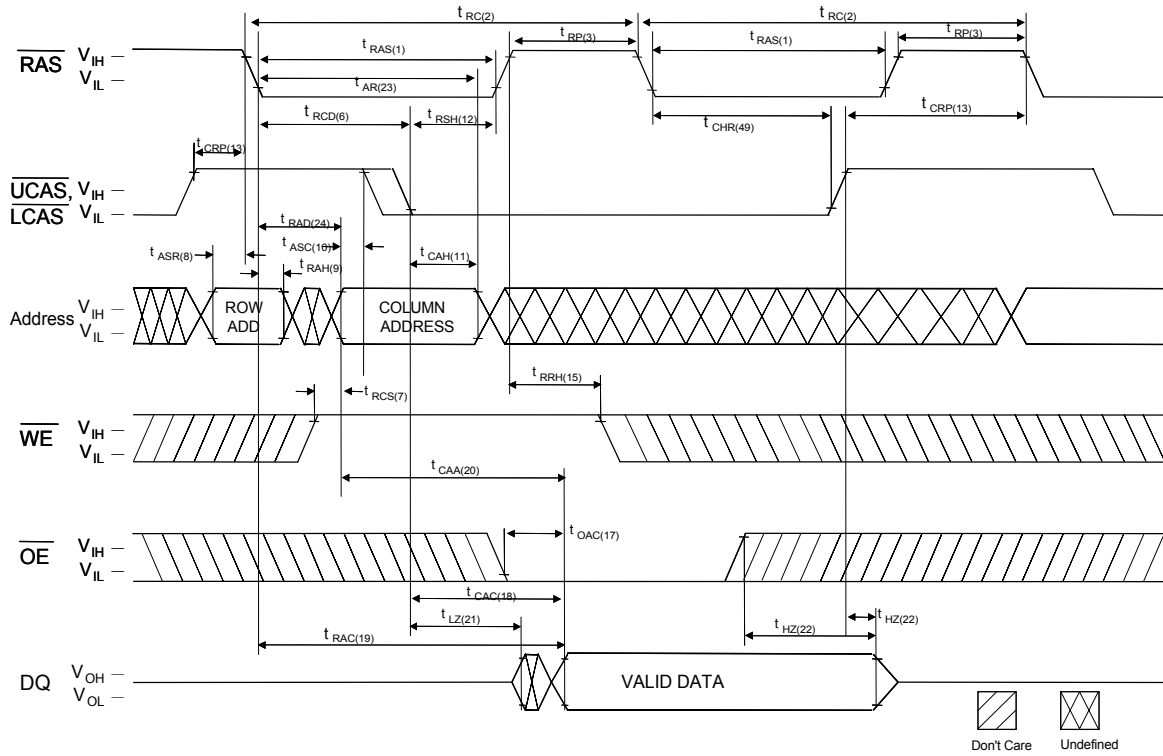
Note: $\overline{WE}, \overline{OE} = A_0 - A_8 =$ Don't care





UTRON EDO Mode, X16 (2CAS) Device Timing Diagram

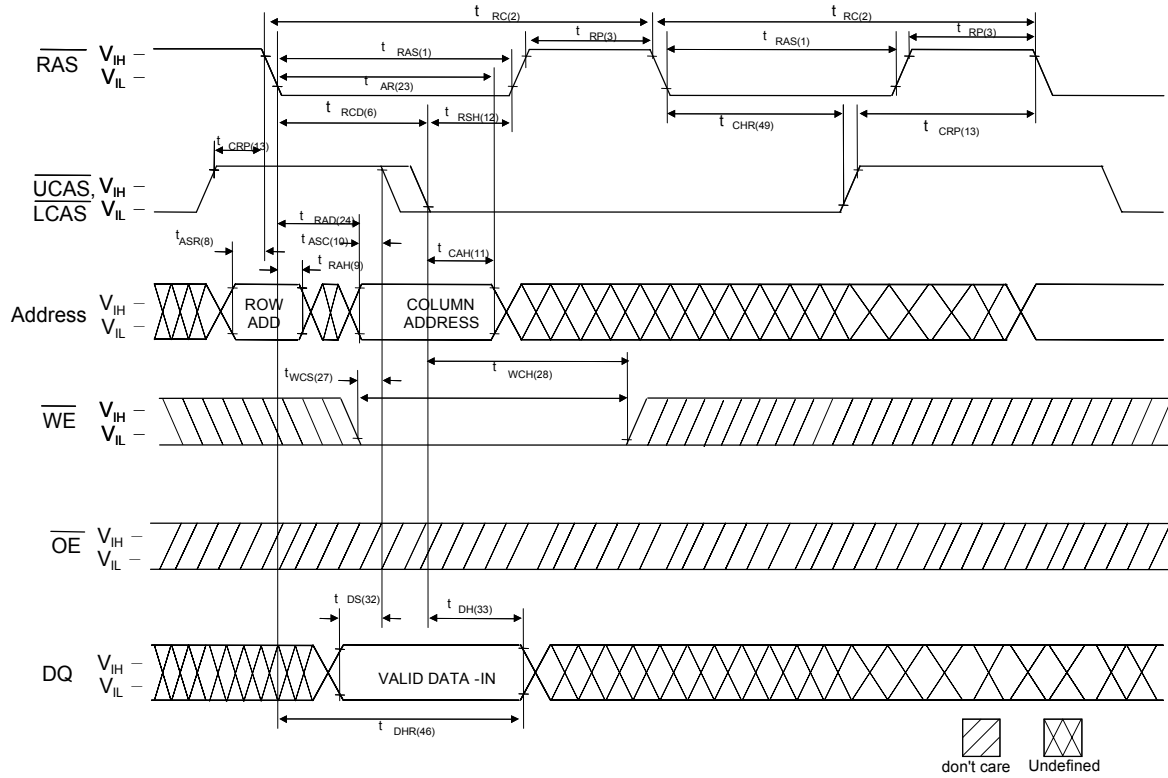
– Waveforms of Hidden Refresh Cycle (Read)





UTRON EDO Mode, X16 (2CAS) Device Timing Diagram

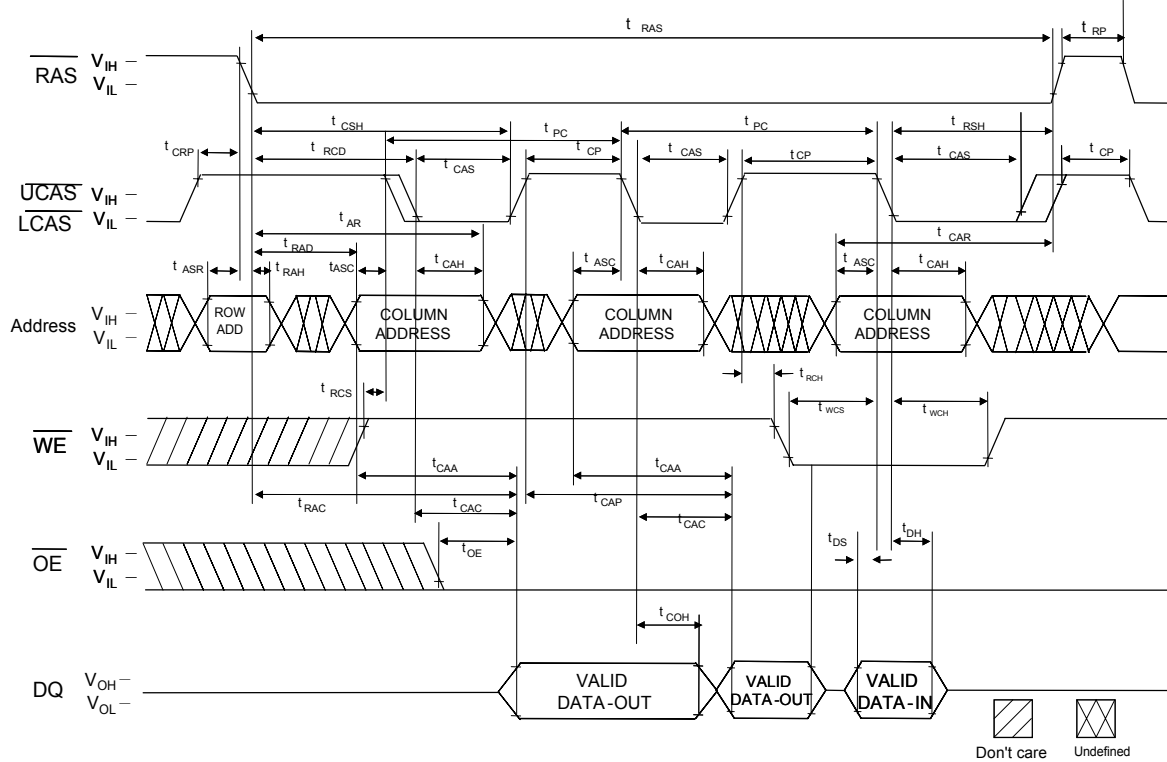
– Waveforms of Hidden Refresh Cycle (Write)





UTRON EDO Mode, X16 (2CAS) Device Timing Diagram

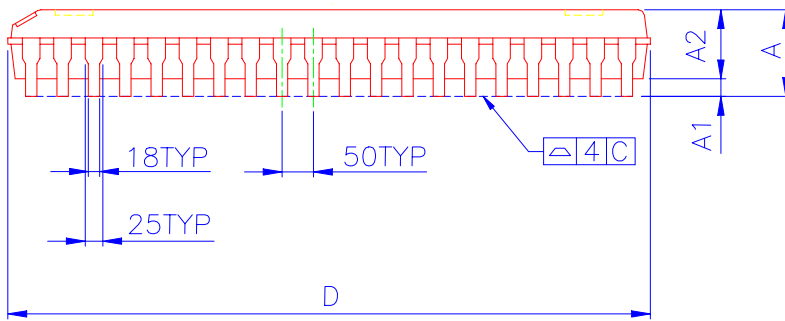
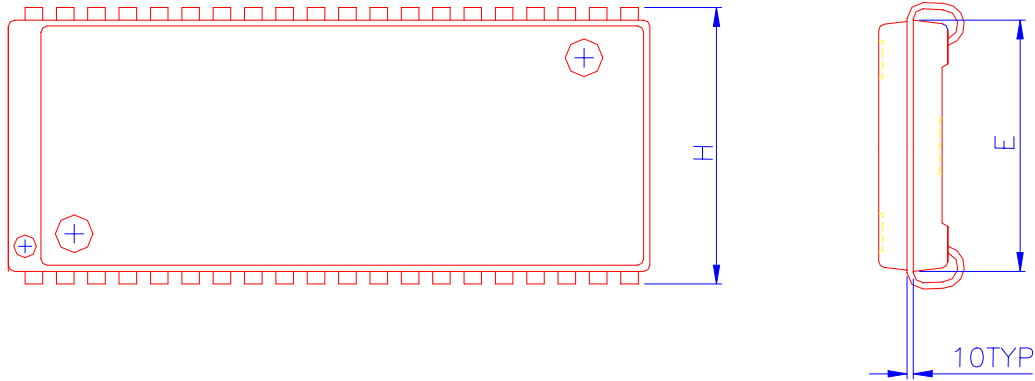
Waveforms of EDO-Page-Mode Read-Early-Write Cycle (Pseudo Read-Modify-Write)





PACKAGE OUTLINE DIMENSION

40 pin 400mil SOJ Package Outline Dimension

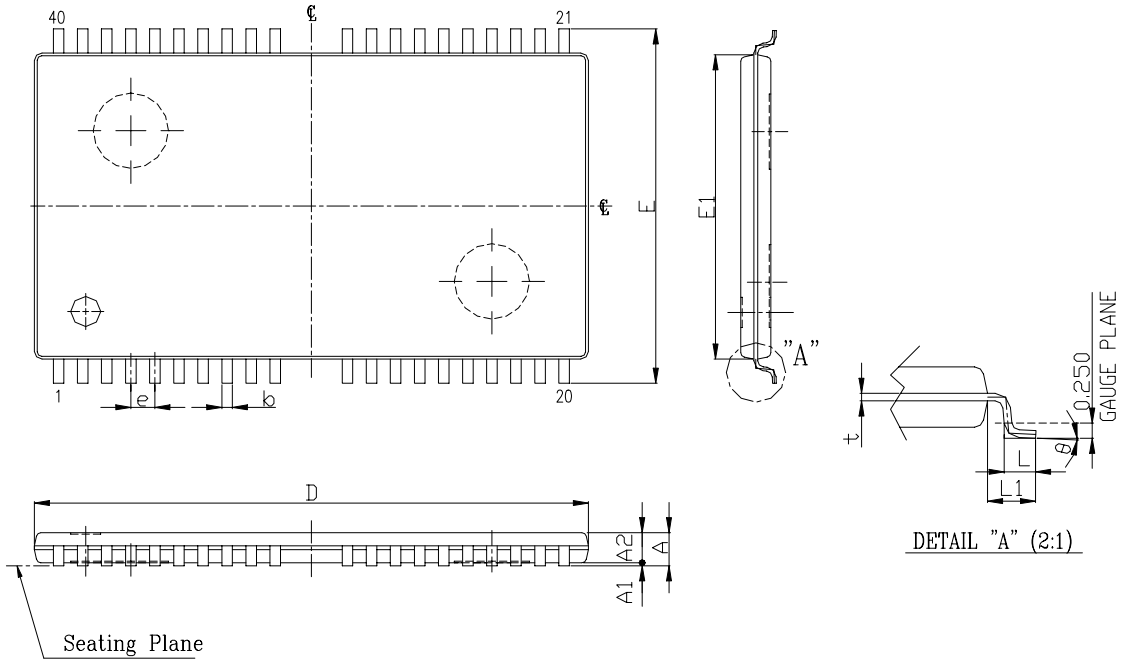


UNIT : MIL

SYMBOLS	MIN.	NOR.	MAX.
A	130	134	138
A1	0.24	-	-
A2	106	110	114
D	1025 BSC.		
E	400 BSC.		
H	430	440	450



40 pin 400mil TSOP-II Package Outline Dimension



UNIT SYMBOL	MM(BASE)
A	1.20(MAX)
A1	0.10± 0.05
A2	1.00± 0.05
b	0.30~0.45
t	0.13(TYP)
D	18.41± 0.10
E1	10.16± 0.10
E	11.76± 0.20
e	0.80(TYP)
L	0.50± 0.10
L1	0.80(REF)
θ	0° ~8°



UTRON

UT51C164

Rev 1.4

256K X 16 BIT EDO DRAM

ORDERING INFORMATION

PART NO.	ACCESS TIME (ns)	PACKAGE
UT51C164JC-35	35	40-PIN SOJ
UT51C164JC-40	40	40-PIN SOJ
UT51C164JC-50	50	40-PIN SOJ
UT51C164JC-60	60	40-PIN SOJ
UT51C164MC-35	35	40-PIN TSOP- II
UT51C164MC-40	40	40-PIN TSOP- II
UT51C164MC-50	50	40-PIN TSOP- II
UT51C164MC-60	60	40-PIN TSOP- II



REVISION HISTORY

REVISION	DESCRIPTION	DATE
Rev. 1.0	Original.	Apr 30 ,1999
Rev. 1.1	Add 40 pin TSOP-II Package.	Jun 7 ,1999
Rev. 1.2	Add 3.3V range.	Jul 30,1999
Rev. 1.3	Revised Datasheet name to be UT51C164/UT51L164.	Sep 22,2000
Rev. 1.4	1. Separated $V_{DD}=5V$ and $V_{DD}=3.3V$ version. 2. Revise symbols "RAS# 、 CAS# 、 OE# 、 WE#" to be " \overline{RAS} 、 \overline{CAS} 、 \overline{OE} 、 \overline{WE} ".	Jan 23,2002