



PRELIMINARY

Data Sheet

FIAM™

Filter Input Attenuator Module



Shown actual size:
2.28 x 2.2 x 0.5 in
57,9 x 55,9 x 12,7 mm

Features

- EMI filtering-Class B
- Transient protection
- Low profile mounting options
- 10 and 20 Ampere versions
- UL, CSA, EN compliance
- Mini-size package
- Inrush current limiting

Product Highlights

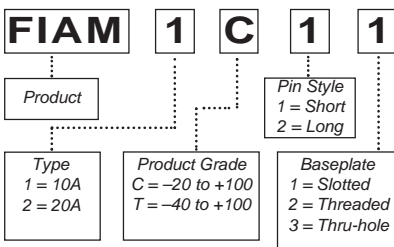
The FIAM is a DC front-end module providing transient protection, inrush current limiting and Class B EMI filtering in a Mini-size package. The FIAM enables designers using Vicor 2nd Generation, 48Vin DC-DC converters to meet the transient immunity and EMI requirements of Bellcore, FCC, ETSI and European Norms while protecting system hardware from inrush current. The FIAM accepts an input voltage of 36-76Vdc, is available in 10 or 20A versions and provides reverse polarity protection and remote on/off.

FIAM is housed in an industry standard "half brick" module measuring 2.28" x 2.2" x 0.5" and depending upon model selected, may be mounted on-board or in-board for height critical applications.

Compatible Products

- 2nd Generation 48V Input DC-DC converters

Part Number Format



Thermal Resistance

Parameter	Typ
Baseplate to sink; flat, greased surface	0.16°C/Watt
Baseplate to sink; thermal pad (P/N 20264)	0.1°C/Watt
Baseplate to ambient	7.9°C/Watt
Baseplate to sink; 1000 LFM	2.2°C/Watt

Absolute Maximum Rating

Parameter	Rating	Unit	Notes
+In to -In	80	Vdc	Continuous
+In to -In	100	V	100ms
+Out to -Out	75	Vdc	Continuous
Mounting torque	5(0.57)	in-lbs	6 each, #4-40 or M3
Pin Soldering temperature	500 (260)	°F(°C)	<5 sec; wave solder
Pin Soldering temperature	750 (390)	°F(°C)	<7 sec; hand solder
Storage temperature C-, T-Grade	-40 to +125	°C	
Operating temperature C-Grade	-20 to +100	°C	Baseplate
Operating temperature T-Grade	-40 to +100	°C	Baseplate

Specifications

(typical at TBP = 25C, nominal line, 75% load, unless otherwise specified)

Parameter	Min	Typ	Max	Remarks
Input voltage	36Vdc	48Vdc	76Vdc	Continuous
Output current				
FIAM1xxx			10A	
FIAM2xxx			20A	
Inrush limiting			.014A/μF	
Transient immunity				1μsec duration
Bellcore TR-NWT-000499			200V	5.0μsec rise time, 50μsec duration surge
ETS 300 386-1 Class 2			200V	1-100nsec burst
			250V	
EMI				When used with Vicor 2nd Generation 48Vin DC-DC converters
Bellcore GR-001089-Core		Issue 2		
EN 55022		Level B		
FCC Part 15		Level B		
Dielectric withstand		1,500Vrms		Input/Output to Base
		2,121Vdc		Input/Output to Base
Efficiency	96	97.5		Internal voltage drop is 1.4 max. @ 20A, 100°C baseplate
Reverse polarity protection				No damage to module, external fuse required
ON/OFF control				
Enable (ON)	0.0Vdc		1.0Vdc	Referenced to -Vout.
Disable (OFF)	3.5Vdc		5.0Vdc	100kΩ internal pull-up resistor
External capacitance				See illustration on page 2.
FIAM1xxx	10μF		150μF	100V
FIAM2xxx	100μF		330μF	100V
Safety approvals		UL 1950, CSA 22.2-950, EN 60950		
Weight		3.1 (88)	4 (113)	ounces (grams)
Warranty			2	years

PRELIMINARY

Conducted Noise

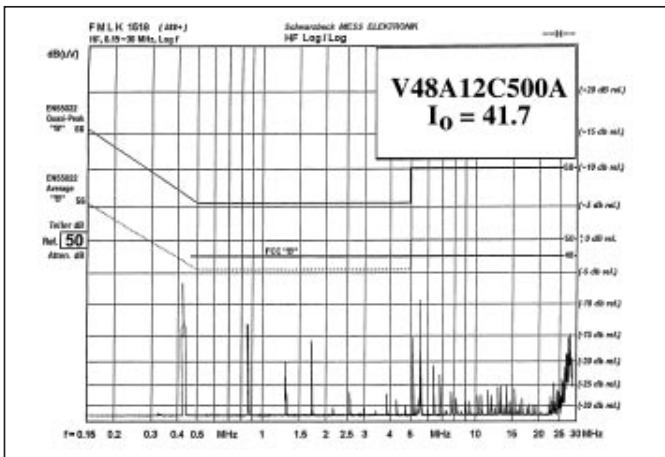


Figure 1—FIAM and Model V48A12C500A DC-DC converter.

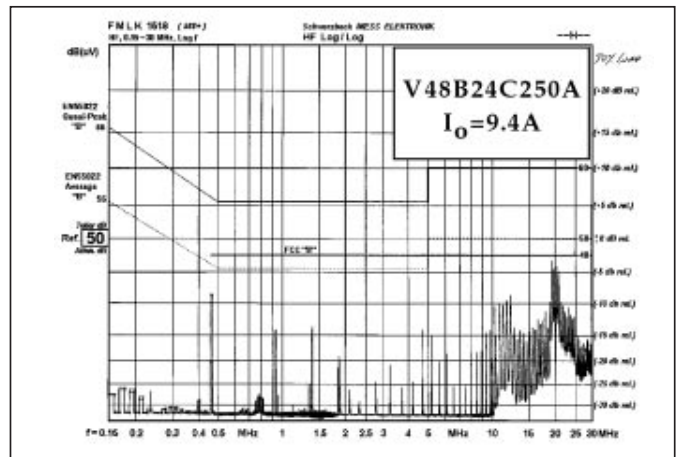


Figure 2—FIAM and Model V48B24C250A DC-DC converter.

Inrush Limiting

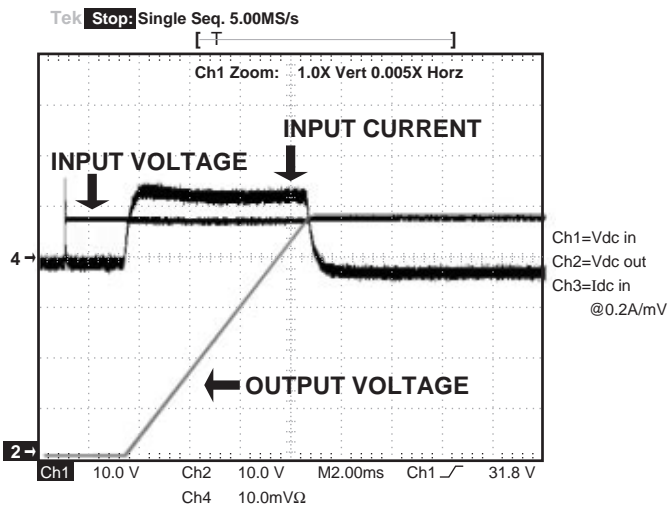


Figure 3—Inrush Limiting: Inrush current with 330μF external capacitance.

Transient Immunity

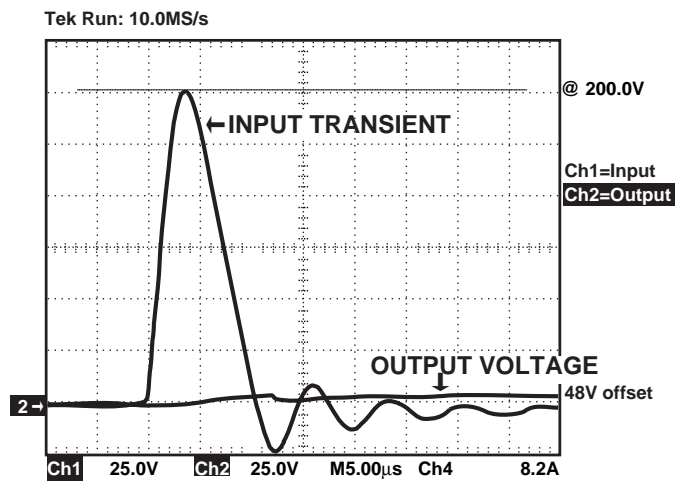
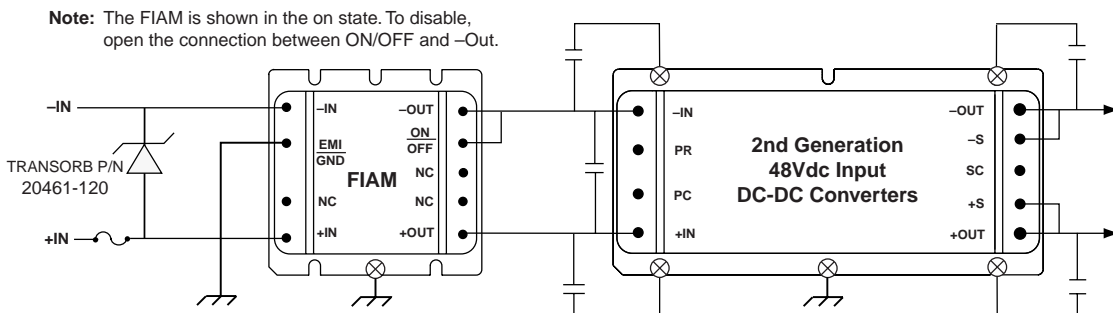


Figure 4—Transient Immunity: FIAM output response to an input transient.

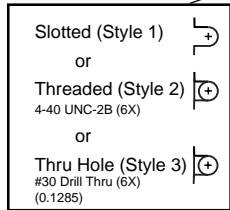
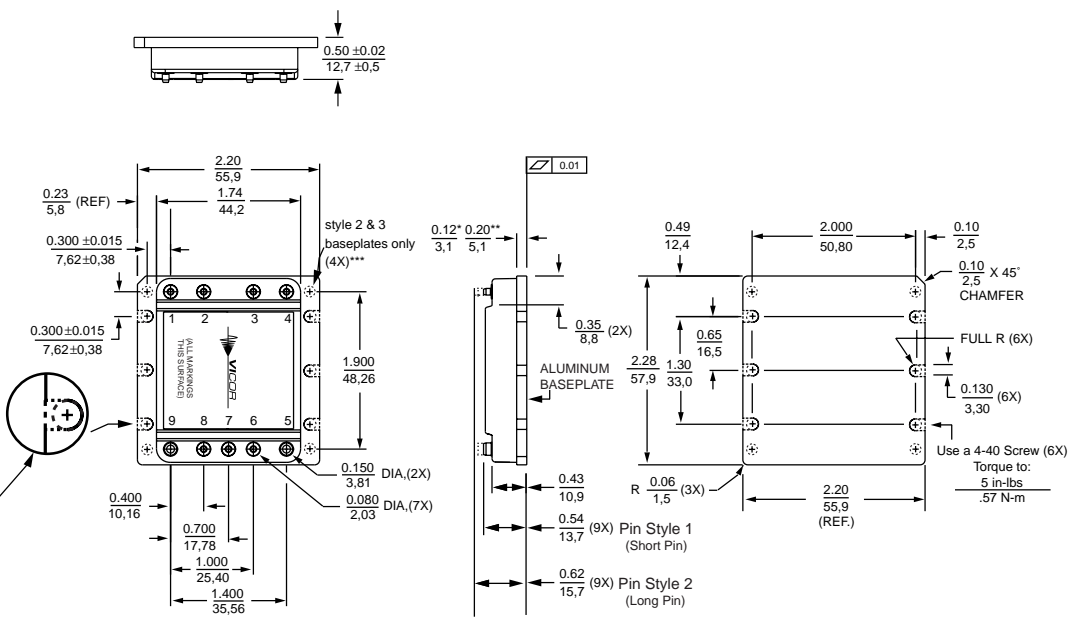
Transient and Surge Protection



PRELIMINARY

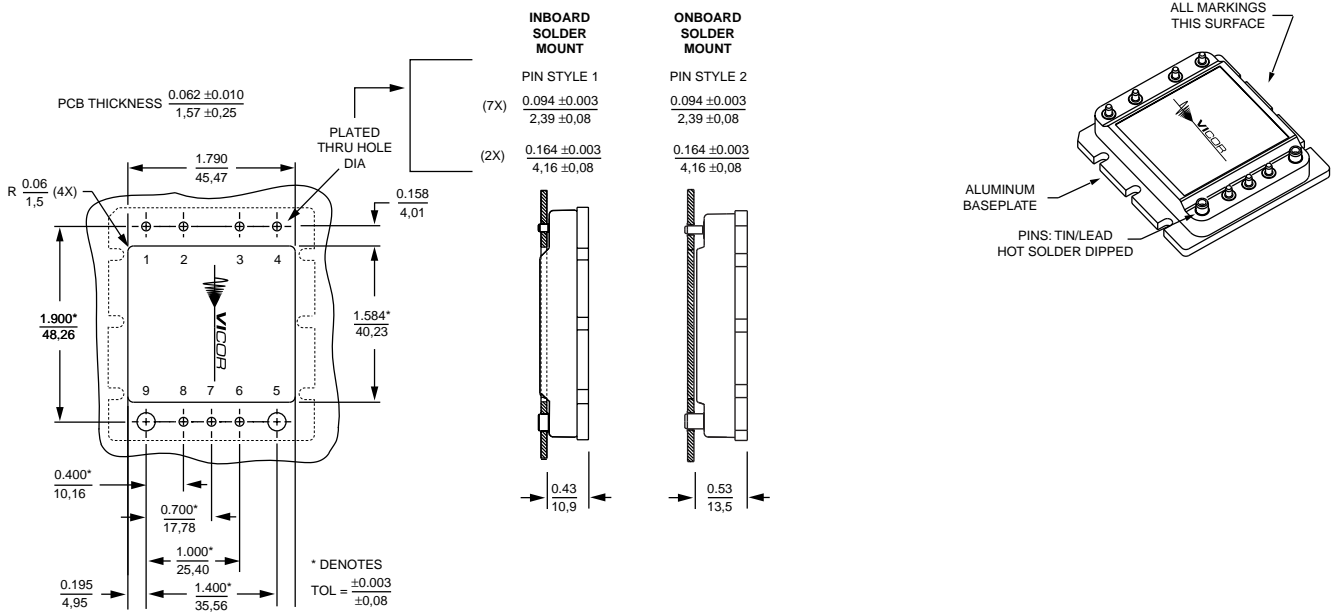
Mechanical Diagram

Converter Pins		
No.	Function	Label
1	+In	+
2	No Connection	NC
3	Ground	EMI/GND
4	-In	-
5	-Out	-
6	ON/OFF	ON/OFF
7	No Connection	NC
8	No Connection	NC
9	+Out	+



- * Style 1 baseplate only
- ** Style 2 & 3 baseplates
- *** Reserved for Vicor accessories

PCB Mounting Specifications



Vicor's comprehensive line of power solutions includes modular, high density DC-DC converters and accessory components, configurable power supplies, and custom power systems.

Information furnished by Vicor is believed to be accurate and reliable. However, no responsibility is assumed by Vicor for its use. No license is granted by implication or otherwise under any patent or patent rights of Vicor. Vicor components are not designed to be used in applications, such as life support systems, wherein a failure or malfunction could result in injury or death. All sales are subject to Vicor's Terms and Conditions of Sale, which are available upon request.

Specifications are subject to change without notice.



*Component Solutions
for Your Power System*

Vicor Corporation
25 Frontage Road
Andover, MA, USA 01810
Tel: 800-735-6200
978-470-2900
Fax: 978-475-6715

Email

Vicor Express: vicorexp@vicr.com
Technical Support: apps@vicr.com