



# Data Sheet

## IAM48™

### Input Power Conditioning Module



Shown actual size:  
2.28 x 1.45 x 0.5 in  
57,9 x 36,8 x 12,7 mm

#### Features

- Wide input voltage range
- High surge withstand
- 97% Efficiency
- Input reverse polarity protection
- On/Off control feature
- MicroMod Package

#### Primary Function

- Inrush current limiting
- Input transient protection

#### Products Highlights

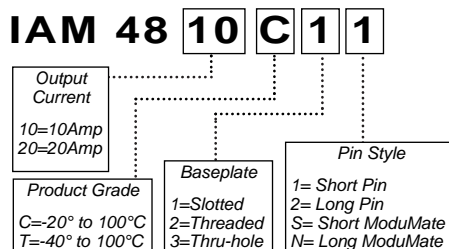
The 2nd Generation IAM48 is a component level, DC input front-end designed to occupy minimum board space while providing maximum transient protection for today's sophisticated electrical systems. The IAM48, in combination with Vicor's 48V input 2nd Generation DC-DC converters, provides a highly efficient, high density power system with outputs from 1 to 100Vdc.

When the IAM48 is used with the Vicor FM48-FiltMod, the combination meets the conducted EMI specifications of Telcordia, FCC and European Norms.

#### Compatible Products

- FM48-FiltMod
- 2nd Generation 48V input DC-DC converters

#### Part Numbers



#### Absolute Maximum Rating

Parameter	Rating	Unit	Notes
+In to -In	80	Vdc	Continuous
+In to -In	100	V	100ms
+Out to -Out	75	Vdc	Continuous
Mounting torque	5(0.57)	in-lbs	6 each, #4-40 or M3
Pin soldering temperature	500 (260)	°F(°C)	<5 sec; wave solder
Pin soldering temperature	750 (390)	°F(°C)	<7 sec; hand solder
Storage temperature C-,T-Grade	-40 to +125	°C	
Operating temperature C-Grade	-20 to +100	°C	Baseplate
Operating temperature T-Grade	-40 to +100	°C	Baseplate

#### IAM48 Specifications

(typical at T<sub>BP</sub> = 25°C, nominal line, unless otherwise specified)

Parameter	Min	Typ	Max	Remarks
Input voltage	36Vdc	48Vdc	76Vdc	Continuous
Inrush limiting			14mA/μF	6A with 330μF capacitor (See Fig 1)
Safety approvals	UL 1950, CSA 22.2-950, EN 60950			
Transient immunity				
Telcordia-GR-499-CORE Section 132			200V	1μsec duration
ETS 300 386-1 Class 2			200V	5.0μsec rise time, 50μsec duration surge
			250V	1-100 nsec burst
				When used with Vicor FM-48 filter module
Dielectric withstand	1,500Vrms			Input/Output to base
Output current				Delivered current to any combination of Vicor's 2nd Generation 48Vin DC-DC converters
IAM4810C12			10A	
IAM4820C12			20A	
Efficiency	97%			Internal voltage drop is 1.1V max. @ 20A, 100°C baseplate
ON/OFF control				
ENABLE(ON)	0.0Vdc		1.0Vdc	Referenced to -Vout.
DISABLE(OFF)	3.5Vdc		5.0Vdc	100KΩ internal pull-up resistor
Reverse polarity protection				No damage to module, external fuse required
External capacitance				See Fig 3
IAM4810C12	10μF		150μF	100V
IAM4820C12	100μF		330μF	100V
Weight	1.7 ounces (50 grams)			
Warranty	2 years			

# Typical Inrush Limiting and Transient Immunity Characteristics

## Inrush Limiting

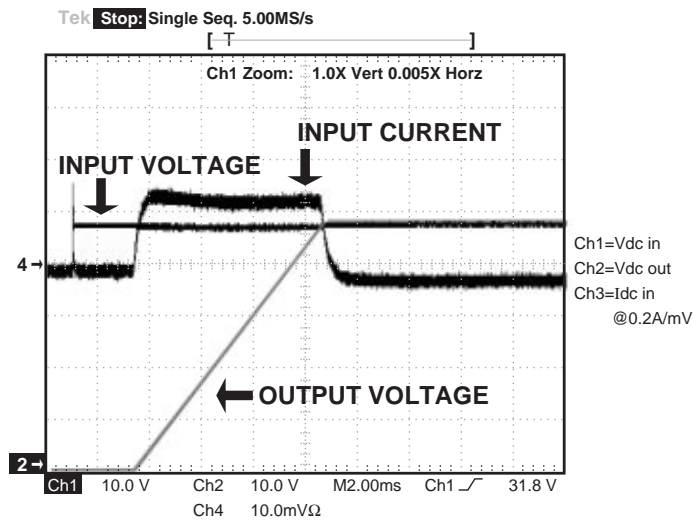


Figure 1—Inrush current with 330 $\mu$ F on the IAM4820C12.

## Transient Immunity

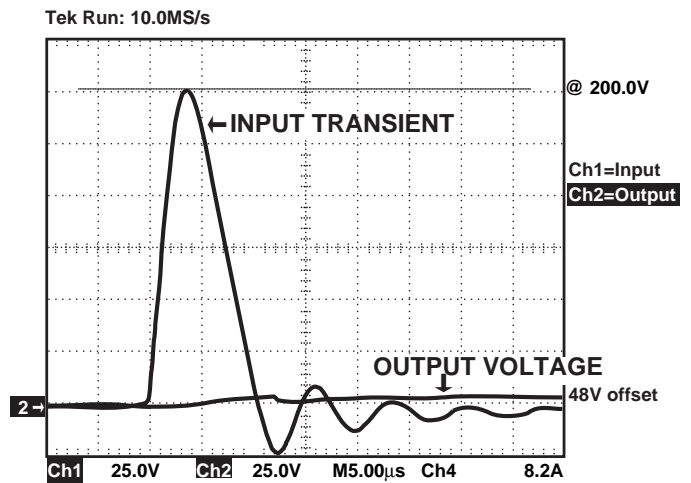


Figure 2— Output response to a transient on the 48V input of a FM48-FiltMod/IAM48 combination.

## Typical Transient, Surge Protection and Filtering Solution

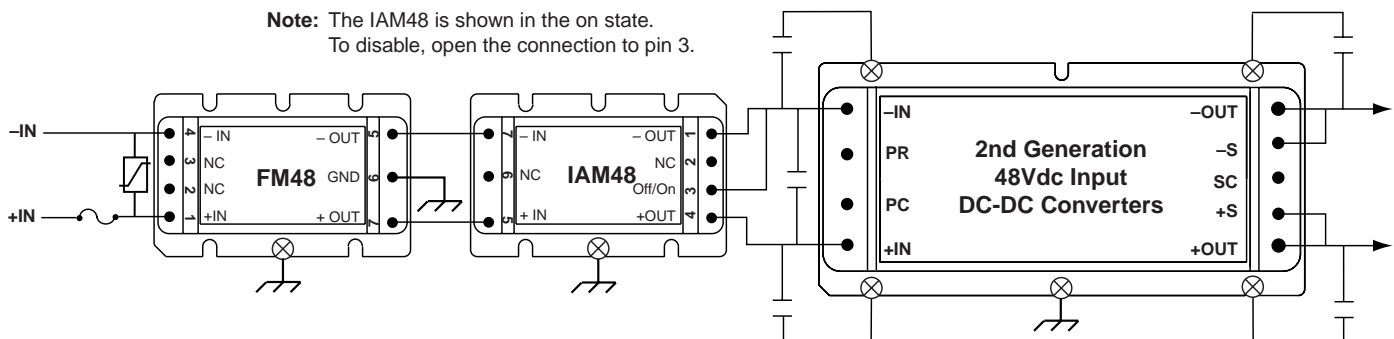
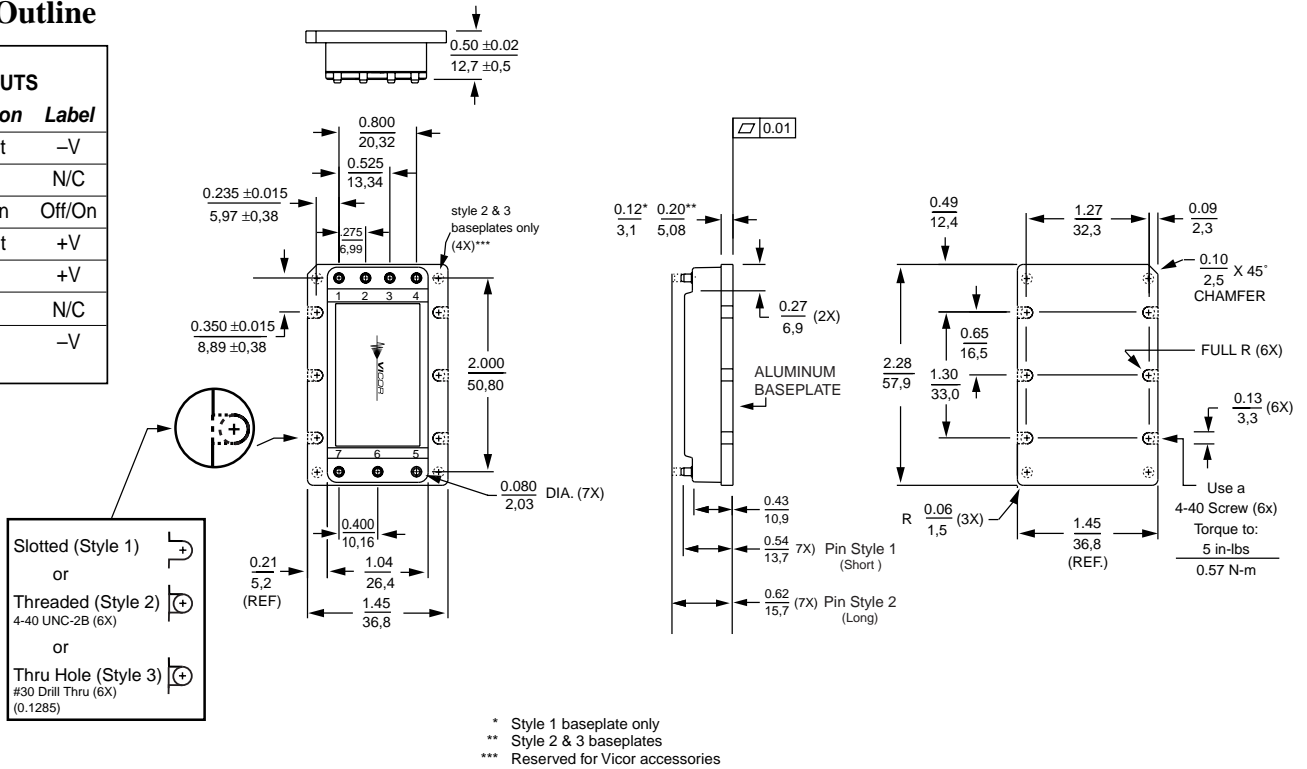


Figure 3

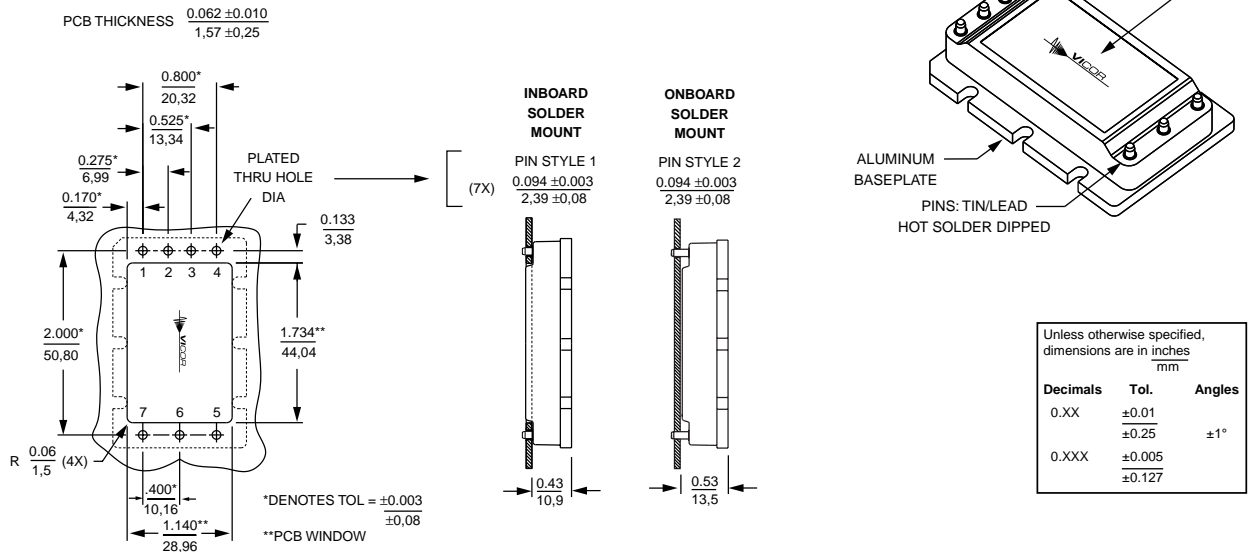
# Mechanical Drawings (IAM48)

## Module Outline

PIN OUTS		
No.	Function	Label
1	-Vout	-V
2		N/C
3	Off/On	Off/On
4	+Vout	+V
5	+Vin	+V
6		N/C
7	-Vin	-V



## PCB Mounting Specifications



**Vicor's comprehensive line of power solutions includes modular, high density DC-DC converters and accessory components, configurable power supplies, and custom power systems.**

Information furnished by Vicor is believed to be accurate and reliable. However, no responsibility is assumed by Vicor for its use. No license is granted by implication or otherwise under any patent or patent rights of Vicor. Vicor components are not designed to be used in applications, such as life support systems, wherein a failure or malfunction could result in injury or death. All sales are subject to Vicor's Terms and Conditions of Sale, which are available upon request.

**Specifications are subject to change without notice.**



*Component Solutions  
for Your Power System*

**Vicor Corporation**  
25 Frontage Road  
Andover, MA, USA 01810  
Tel: 800-735-6200  
Fax: 978-475-6715

**Email**

Vicor Express: [vicorexp@vicr.com](mailto:vicorexp@vicr.com)  
Technical Support: [apps@vicr.com](mailto:apps@vicr.com)