

Preliminary Data Sheet

VSC7925

SONET/SDH 2.5Gb/s Laser Diode Driver

Features

- Rise Times Less Than 100ps
- High Speed Operation (Up to 2.5Gb/s NRZ Data)
- Single-ended Inputs
- Single Supply
- Direct Access to Modulation and Bias FET's
- Data Density Monitors
- On-Chip Reclocking Register
- 24-Pin Ceramic Package

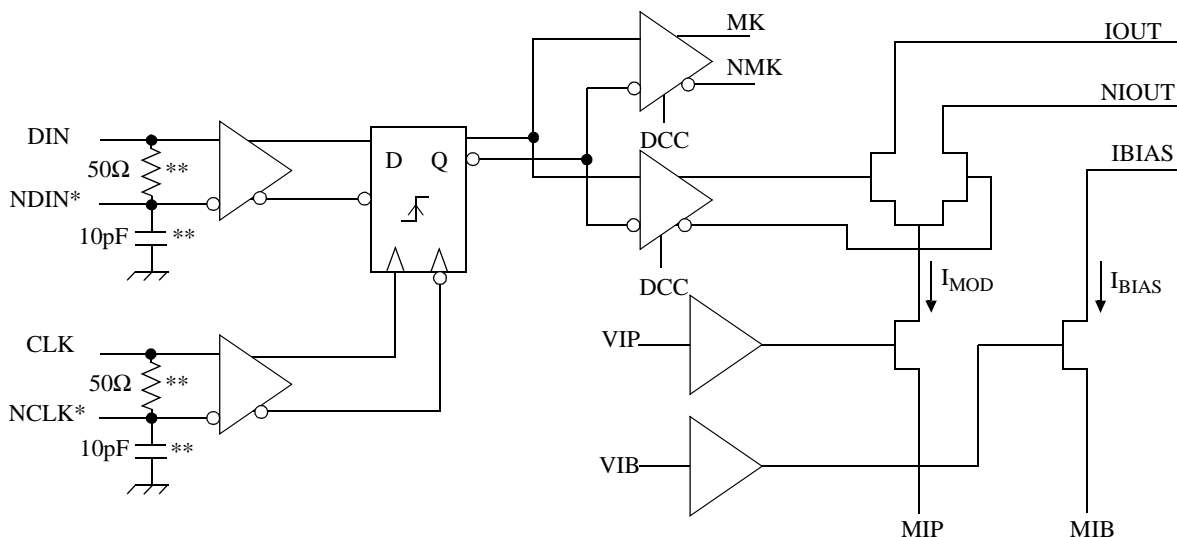
Applications

- SONET/SDH at 622Mb/s, 1.244Gb/s, and 2.488Gb/s
- Full-Speed Fibre Channel (1.062Gb/s)

General Description

The VSC7925 is a single 5V supply, 2.5Gb/s laser diode driver with direct access to the laser modulation and bias FETs. Laser bias and modulation currents are set by external components allowing precision monitoring and setting of the current levels. Data density outputs are provided to allow the user to adjust the laser bias in unbalanced data applications. Clock and data inputs have nominal 50Ω termination resistors and high frequency decoupling capacitors.

VSC7925 Block Diagram



* Terminated to off-chip capacitor
 ** On-die components

Table 1: Signal Pin Reference

Signal	Type	Level	# Pins	Description
DIN, NDIN	In		2	Data Input and Data Reference
MK, NMK	Out	ECL	2	Data Density Differential Outputs
NIOUT	Out		1	Laser Modulation Current Output (Complementary)
IOUT	Out		1	Laser Modulation Current Output (To Laser Cathode)
VSS	Pwr	Pwr	4	Negative Voltage Rail
GND	Pwr	Pwr	6	Positive Voltage Rail
VIP	In	DC	1	Modulation Gate Node
MIP	In	DC	1	Modulation Source Node
VIB	In	DC	1	Bias Gate Node
MIB	In	DC	1	Bias Source Node
IBIAS	Out	DC	1	Laser Bias Output (To Laser Cathode)
CLK, NCLK	In		2	Clock Input and Clock Reference
DCC	In	DC	1	Duty Cycle Control, Leave Floating
Total Pins			24	

Table 2: Absolute Maximum Ratings

Symbol	Rating	Limit
V _{SS}	Negative Power Supply Voltage	V _{CC} to -6.0V
T _J	Maximum Junction Temperature	-55°C to +125°C
T _{STG}	Storage Temperature	-65°C to +150°C

Table 3: High-Speed Inputs and ECL Outputs

Symbol	Parameter	Min	Typ	Max	Units	Conditions
V _{IN}	Single-ended Input Voltage Swing	300		1500	mV	V _{CM} = -2.5V
V _{CM}	Differential Input Common Mode Range	-3.3		-1.3	V	V _{SS} = -5.2V
V _{OH}	ECL Output High Voltage	-1200		-500	mV	50Ω to -2.0V
V _{OL}	ECL Output Low Voltage	-2000		-1600	mV	50Ω to -2.0V

Preliminary Data Sheet

VSC7925

SONET/SDH 2.5Gb/s Laser Diode Driver

Table 4: Recommended Operating Conditions

Symbol	Parameter	Min	Typ	Max	Units	Conditions
GND	Positive Voltage Rail		0		V	
V _{SS}	Negative Voltage Rail	-5.5	-5.2	-4.9	V	
T _{CASE KF}	Operational Temperature 9.0 pt	-40		85	°C	Power dissipation = 1.3W Ceramic Package

NOTE: (1) Lower limit of specification is ambient temperature and upper limit is case temperature.

Table 5: Power Dissipation

Symbol	Parameter	Min	Typ	Max	Units	Conditions
I _{VSS}	Power Supply Current (V _{SS})			220	mA	I _{MOD} = I _{BIAS} = 0mA
P _D	Total Power Dissipation			1200	mW	V _{SS} = -5.5V, I _{MOD} = I _{BIAS} = 0mA, R _{LOAD} = 25Ω to GND

Table 6: Laser Driver DC Electrical Specifications

Symbol	Parameter	Min	Typ	Max	Units	Conditions
I _{BIAS}	Programmable Laser Bias Current	2		50	mA	
I _{MOD}	Programmable Modulation Current	2	-	60	mA	
V _{IB}	Laser Bias Control Voltage			V _{SS} + 2.1	V	I _{BIAS} = 50mA
V _{IP}	Laser Modulation Control Voltage			V _{SS} + 2.1	V	I _{MOD} = 60mA
V _{OCM}	Output Voltage Compliance		GND -2.5V		V	V _{SS} = -5.2V

Table 7: Laser Driver AC Electrical Specifications

Symbol	Parameter	Min	Typ	Max	Units	Conditions
t _R , t _F	Output Rise and Fall Times			100	ps	25Ω load, 20%-80%, 15mA < I _{MOD} < 60mA, I _{BIAS} = 20mA
t _{SU}	Data to Clock Setup Time		50		ps	
t _H	Hold Time		50		ps	

Figure 1: Laser Driver Maximum Case Temperature vs. Modulation Current

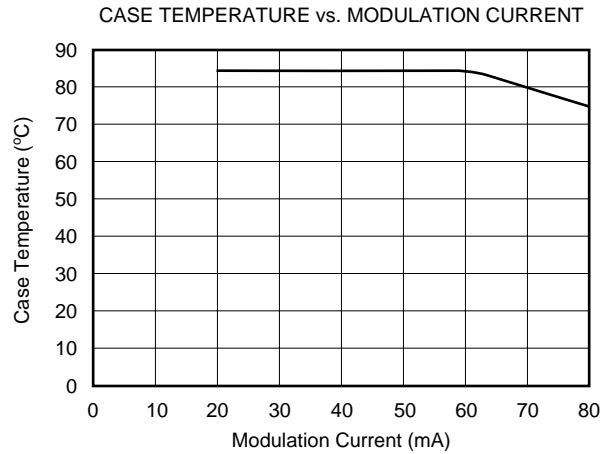


Figure 2: Clock and Data Input Structure

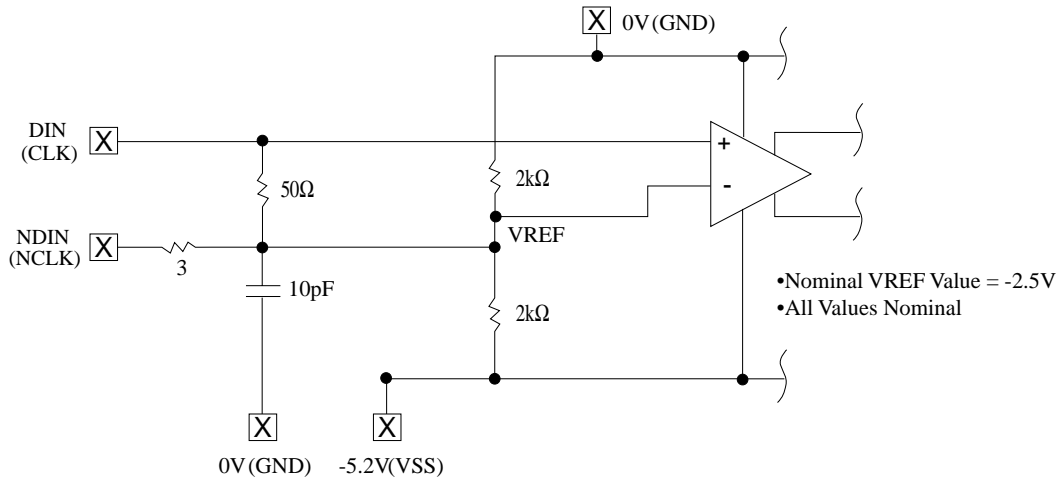
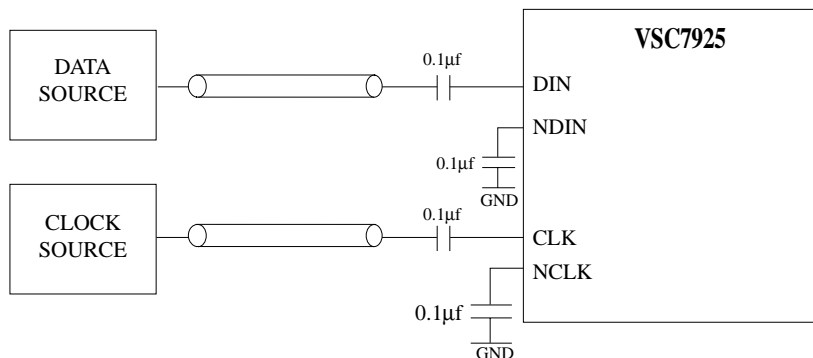


Figure 3: Single-Ended Operation

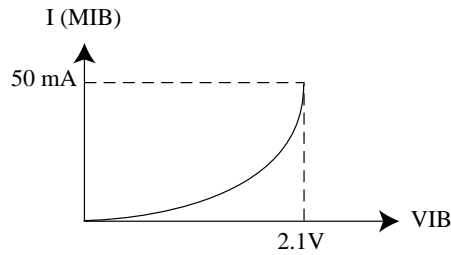


Preliminary Data Sheet

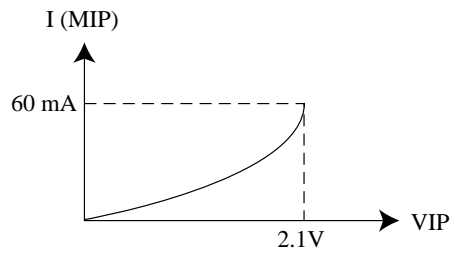
VSC7925

SONET/SDH 2.5Gb/s Laser Diode Driver

Figure 4: Control Signals VIP and VIB



Typical Bias Current v.s. Bias Voltage



Typical Modulation Current v.s. Modulation Voltage

Figure 5: Simplified Output Structure

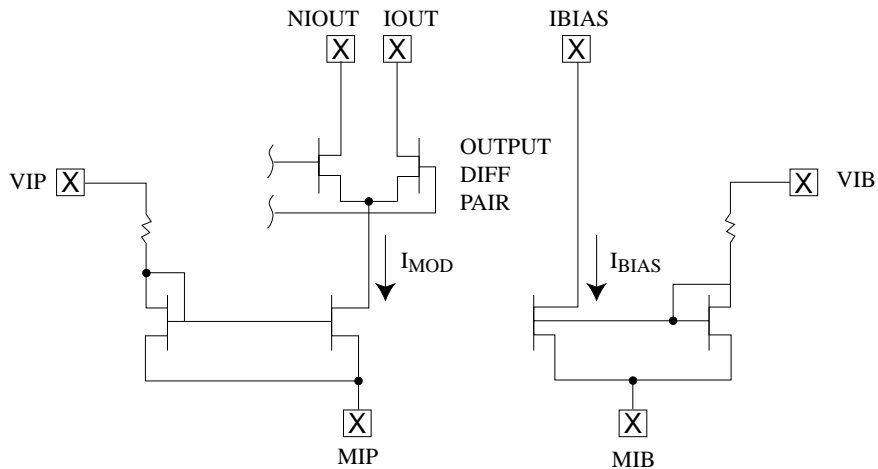
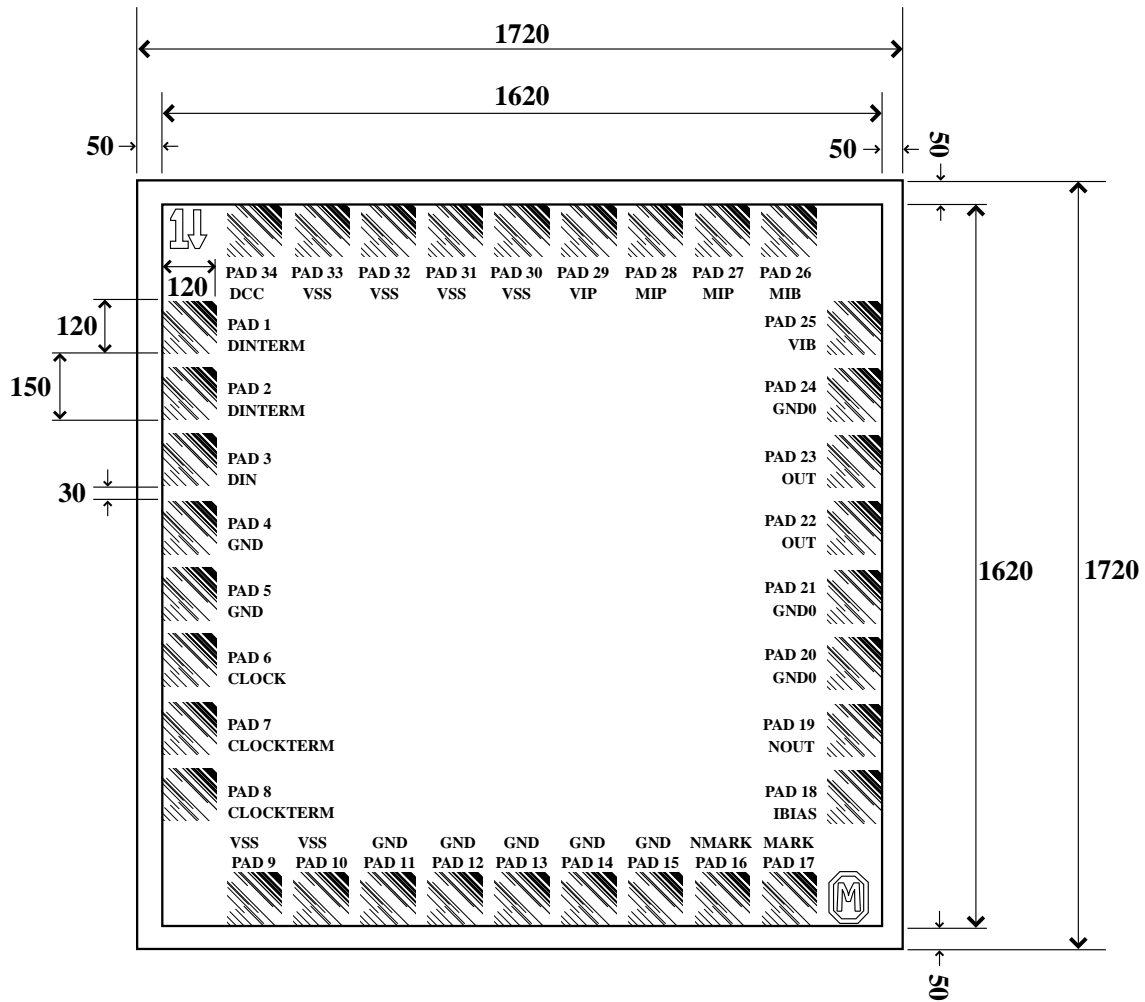


Figure 6: Pad Assignments for VSC7925 Die



Dimensions in micrometers.

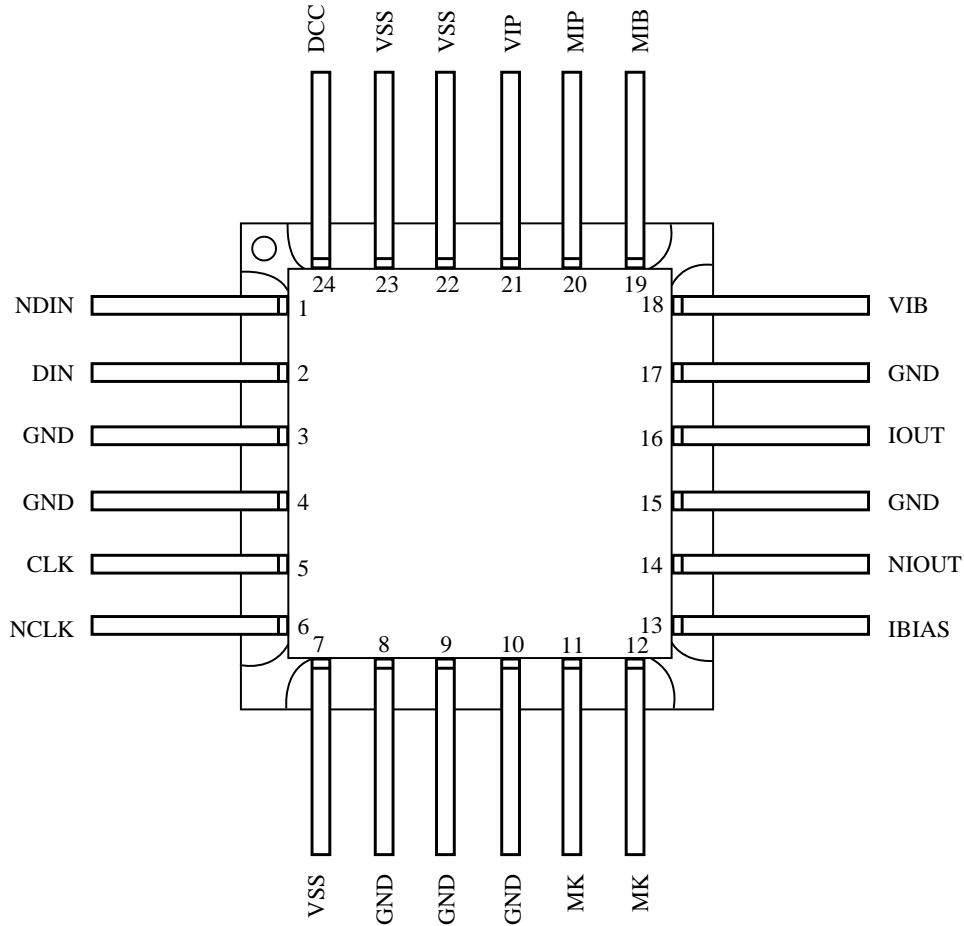
- 1) Die size = 1620 μ m x 1620 μ m
- 2) Actual die size = 1720 μ m x 1720 μ m (after the die are cut up)
- 3) Pad size = 120 μ m x 120 μ m
- 4) Pad pitch = 150 μ m
- 5) Space between pads = 30 μ m

Preliminary Data Sheet

VSC7925

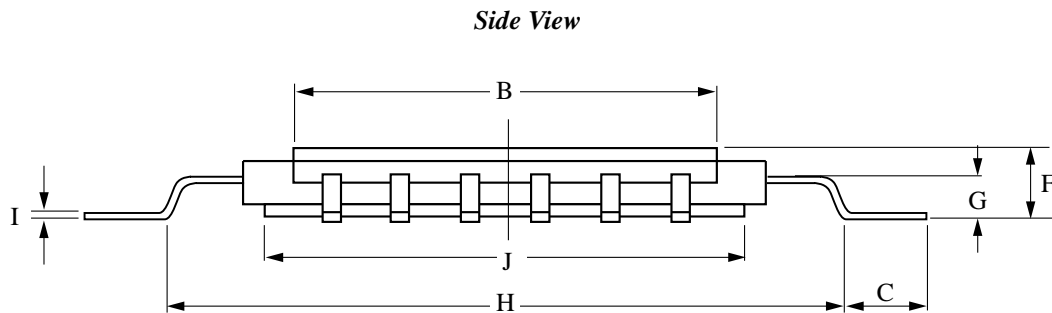
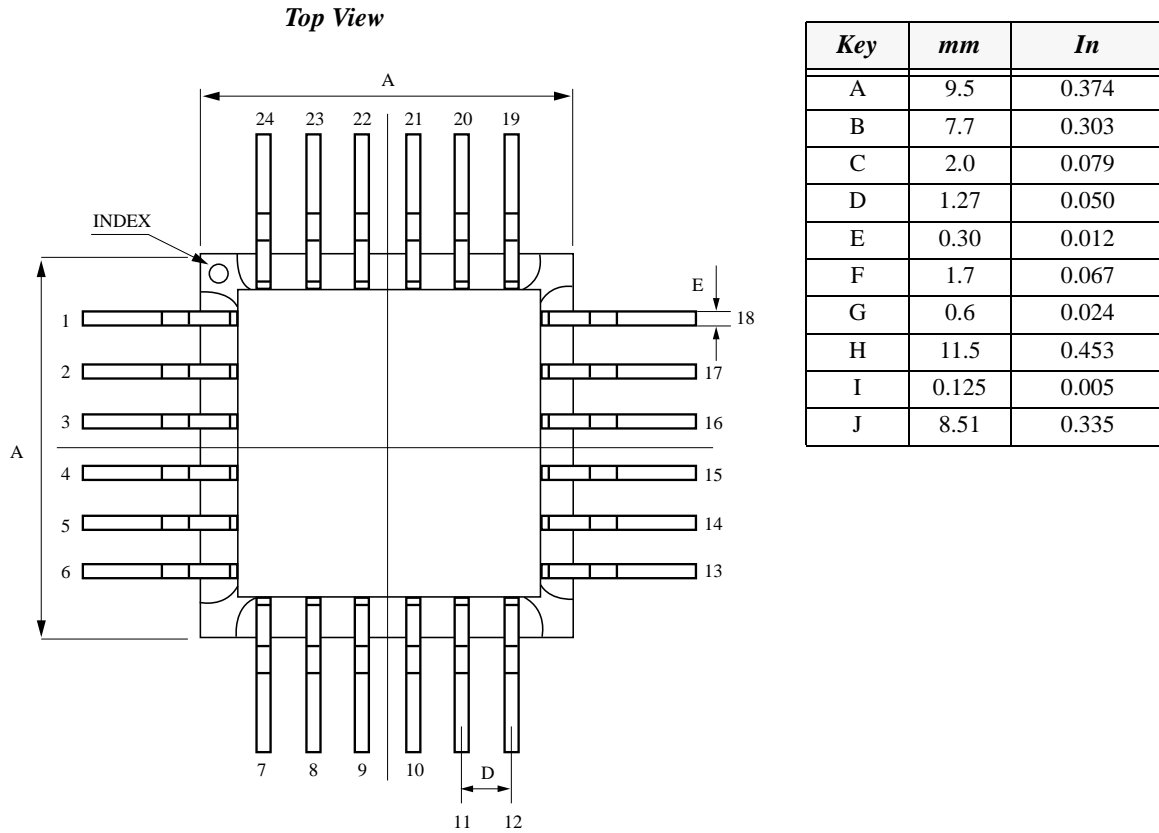
SONET/SDH 2.5Gb/s Laser Diode Driver

Pin Diagram - 24-Pin Ceramic Package



Note: Package lid and bottom heat spreader are electrically connected to GND within the package.

Package Information - 24 Pin Ceramic Package (Formed Leads)



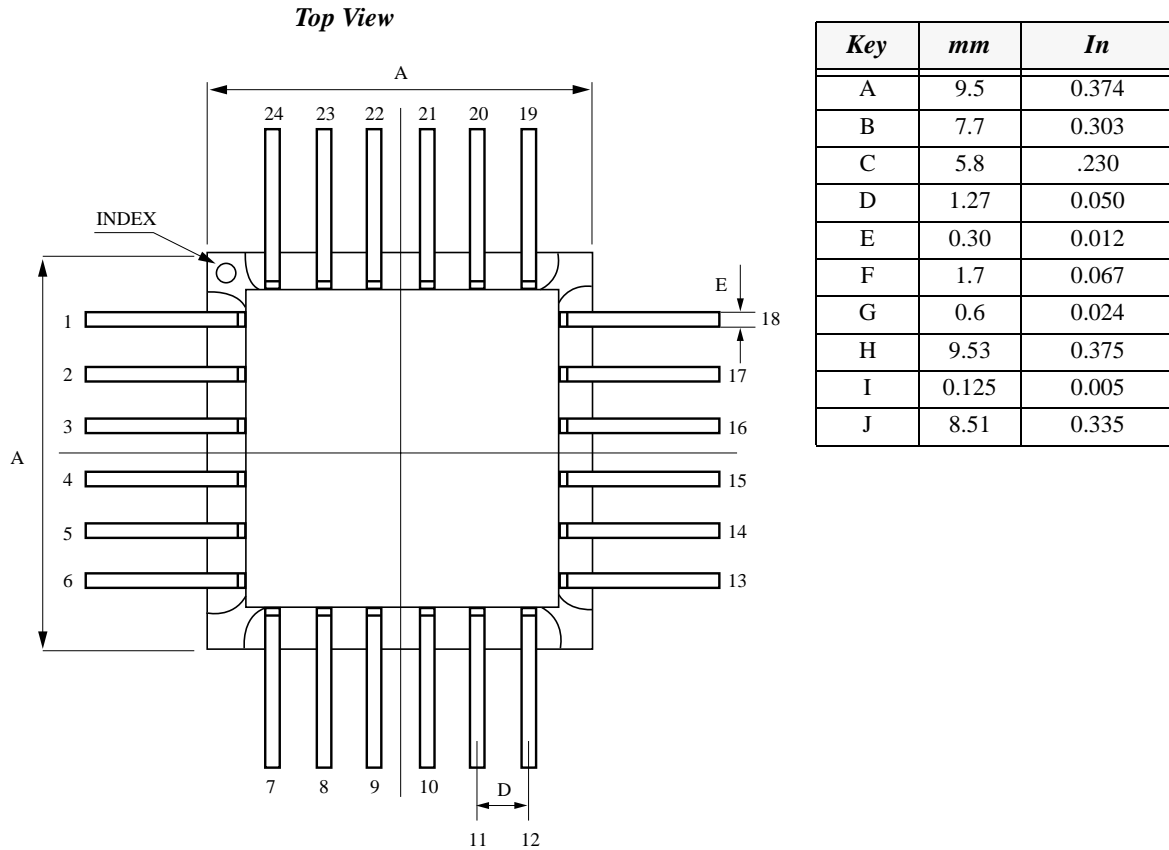
NOTES: Drawing not to scale.
Package #: 101-000-0 Issue #:1

Preliminary Data Sheet

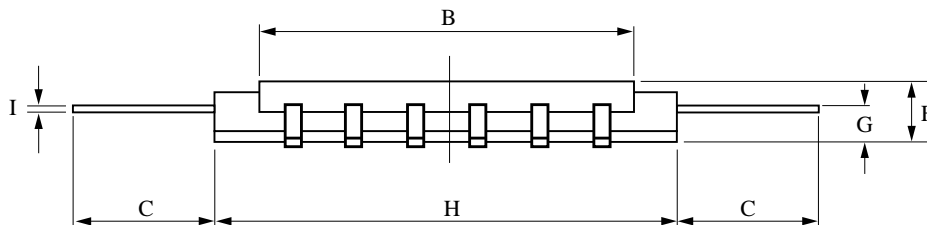
VSC7925

SONET/SDH 2.5Gb/s Laser Diode Driver

Package Information - 24 Pin Ceramic Package (Straight Leads)



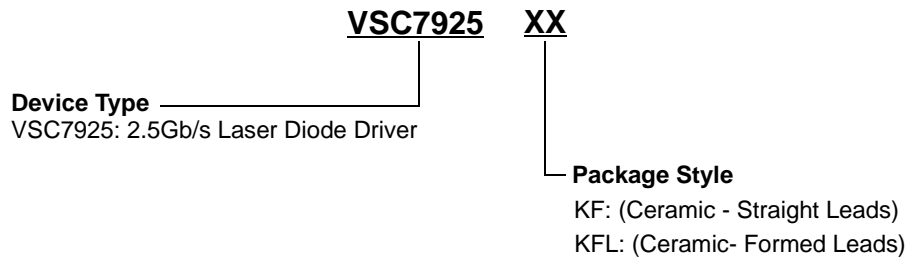
Side View



NOTES: Drawing not to scale.
Package #: 101-000-0 Issue #:1

Ordering Information

The order number for this product is formed by a combination of the device number, and package style.



Notice

Vitesse Semiconductor Corporation (“Vitesse”) provides this document for informational purposes only. This document contains pre-production information about Vitesse products in their concept, development and/or testing phase. All information in this document, including descriptions of features, functions, performance, technical specifications and availability, is subject to change without notice at any time. Nothing contained in this document shall be construed as extending any warranty or promise, express or implied, that any Vitesse product will be available as described or will be suitable for or will accomplish any particular task.

Vitesse products are not intended for use in life support appliances, devices or systems. Use of a Vitesse product in such applications without written consent is prohibited.