

High Voltage Power Supply - 250W Series

HVP050P5000 HVP050N5000
HVP080P3000 HVP080N3000
HVP125P2000 HVP125N2000

HVP Series

The HVP series supplies provide 250 watts of output power up to 125kV. The outputs are fully adjustable from zero to 100% of the maximum rating.

Built-in EMI filtering, safety interlocks, over-voltage/over-current arc protection, short circuit protection, and constant voltage/current operation, are just a few of the standard features in this series.



Features:

- voltage programming
- current programming
- safety interlock
- short circuit protection
- NEMA 12 enclosure
- low ripple

ELECTRICAL RATINGS

| Part Number | V_{MAX} | I_{MAX} |
|-------------|-----------|-----------|
| | kV | mA |
| HVP050P5000 | 50 | 5.0 |
| HVP050N5000 | -50 | 5.0 |
| HVP080P3000 | 80 | 3.0 |
| HVP080N3000 | -80 | 3.0 |
| HVP125P2000 | 125 | 2.0 |
| HVP125N2000 | -125 | 2.0 |

SPECIFICATIONS

- Input:**
- 115 or 230V AC, 50/60 Hz
- Voltage Regulation:**
- Less than .5% of Output Voltage
- Current Regulation:**
- Less than .5% of Output Current at 20% to 100% of Rated Voltage
- Ripple:**
- Less than 1% of Output Voltage
- Temperature Coefficient:**
- 200 ppm/°C
- Ambient Temperature:**
- Operating: 0°C to 50°C
 - Storage: -20°C to +70°C
- Output Cable:**
- Dielectric Sciences 2121, 25 feet

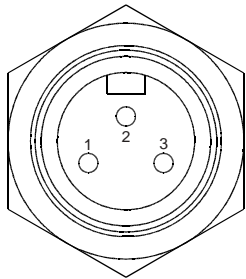
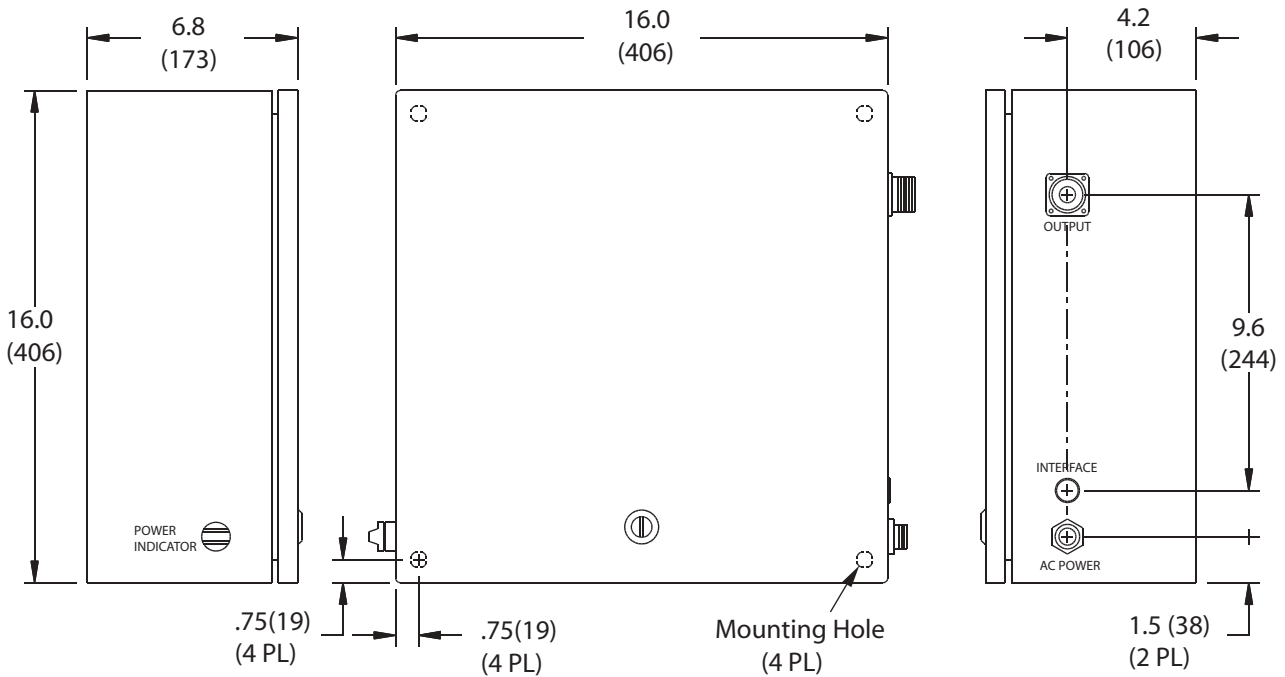
Dimensions: In. (mm) • Data subject to change without notice.



VOLTAGE MULTIPLIERS INC.
 8711 W. Roosevelt Ave.
 Visalia, CA 93291

TEL 559-651-1402
 FAX 559-651-0740
www.voltagemultipliers.com

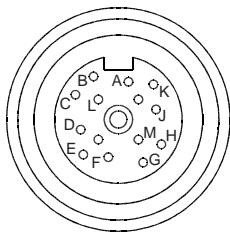
**HVP050P5000 HVP050N5000 HVP080P3000
HVP080N3000 HVP125P2000 HVP125N2000**



AC Power
(Brad Harrison 40903-13.5)

POWER CONNECTOR

| PIN # | SIGNAL |
|-------|---------|
| 1 | Neutral |
| 2 | Ground |
| 3 | Line |



Interface
(Amphenol C09131 G012-200-12)

INTERFACE CONNECTOR PIN ASSIGNMENTS

| PIN # | SIGNAL | SIGNAL PARAMETERS |
|-------|---------------------------|---|
| A | Current Program | 0 to 10VDC = 0 to 100% Rated Output |
| B | Voltage Program | 0 to 10VDC = 0 to 100% Rated Output |
| C | Current Monitor | 0 to 10VDC = 0 to 100% Rated Output |
| D | Voltage Monitor | 0 to 10VDC = 0 to 100% Rated Output |
| E | Enable | TTL High = Enable |
| F | PS Fault | +12V = OK |
| G | Shield Return (Chassis) | |
| H | Power Supply Common | |
| J | Power Supply Common | |
| K | External Interlock | Connection between pins required for PS operation |
| L | External Interlock Return | |
| M | NC | |