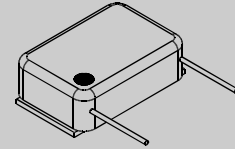


2000 V Miniature Hybrid Multiplier

10 nA Output Current
8 Stages

NV202P08
NV202N08

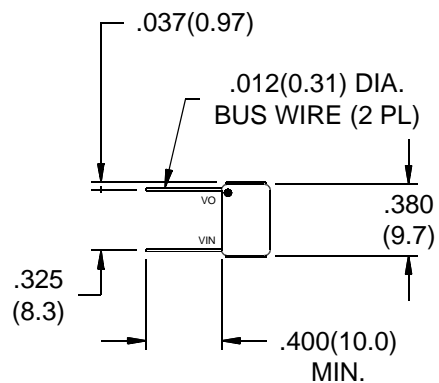
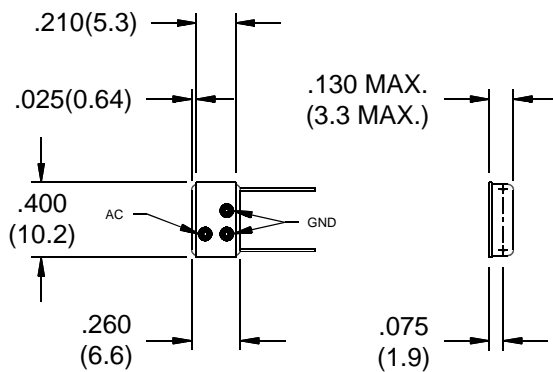
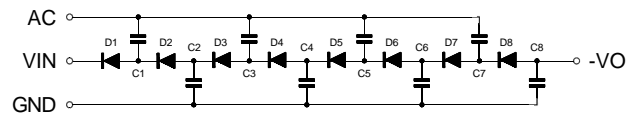
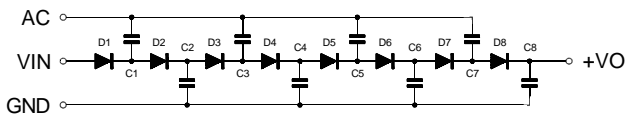
SURFACE MOUNT
ENCAPSULATED



ELECTRICAL CHARACTERISTICS AND MAXIMUM RATINGS

Part Number	Maximum A.C. Input Voltage	Maximum V_{in}	Maximum D.C. Output Voltage	Typical Output Current	Typical Frequency	# of Stages	Polarity
	V_{PP}	V_{DC}	V_{DC}	nA	kHz		
NV202P08	600	+4000	+6000	10	40kHz	8	Positive
NV202N08	600	-4000	-6000	10	40kHz	8	Negative

Operating Temp: -55°C to +100°C Storage Temp: -55°C to +100°C



Dimensions: In. (mm) • All temperatures are ambient unless otherwise noted. • Data subject to change without notice.



VOLTAGE MULTIPLIERS INC.
8711 W. Roosevelt Ave.
Visalia, CA 93291

TEL 559-651-1402
FAX 559-651-0740
www.voltagemultipliers.com

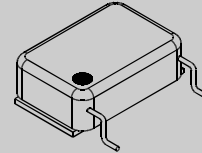
2000 V Miniature Hybrid Multiplier

10 nA Output Current

8 Stages

NV202P08S
NV202N08S

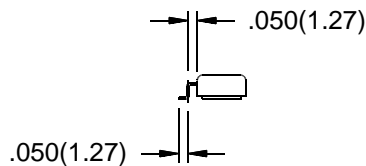
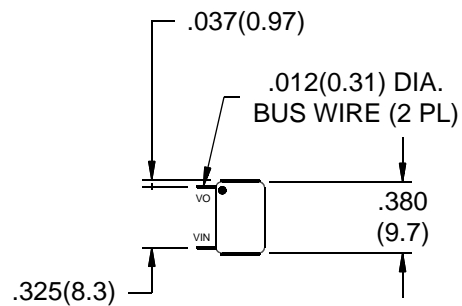
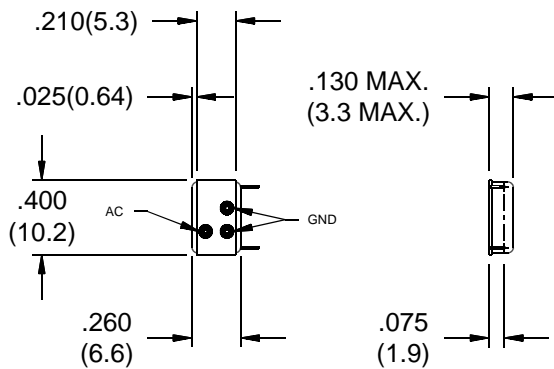
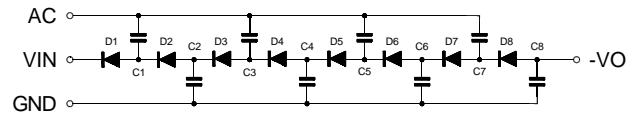
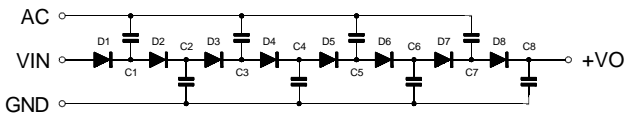
**SURFACE MOUNT
ENCAPSULATED**



ELECTRICAL CHARACTERISTICS AND MAXIMUM RATINGS

Part Number	Maximum A.C. Input Voltage	Maximum V_{in}	Maximum D.C. Output Voltage	Typical Output Current	Typical Frequency	# of Stages	Polarity
	V_{PP}	V_{DC}	V_{DC}	nA	kHz		
NV202P08S	600	+4000	+6000	10	40kHz	8	Positive
NV202N08S	600	-4000	-6000	10	40kHz	8	Negative

Operating Temp: -55°C to +100°C Storage Temp: -55°C to +100°C



Dimensions: In. (mm) • All temperatures are ambient unless otherwise noted. • Data subject to change without notice.



VOLTAGE MULTIPLIERS INC.
8711 W. Roosevelt Ave.
Visalia, CA 93291

TEL 559-651-1402
FAX 559-651-0740
www.voltagemultipliers.com