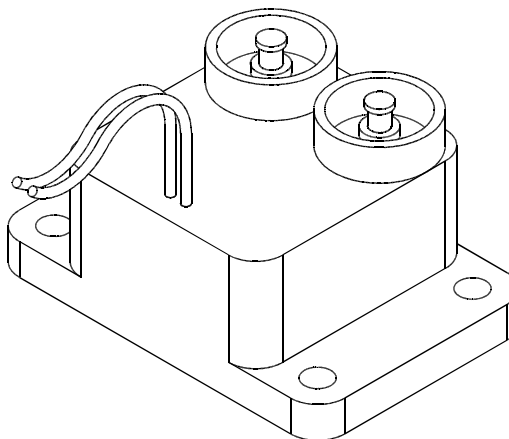
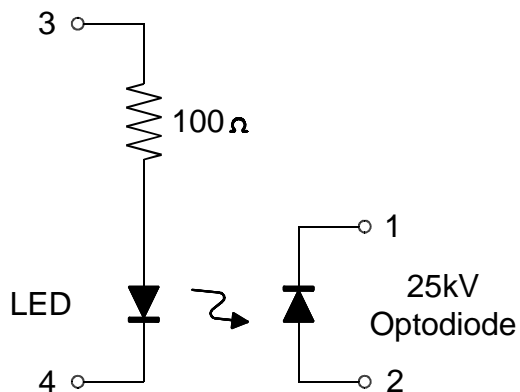


Opto Coupler

OC250



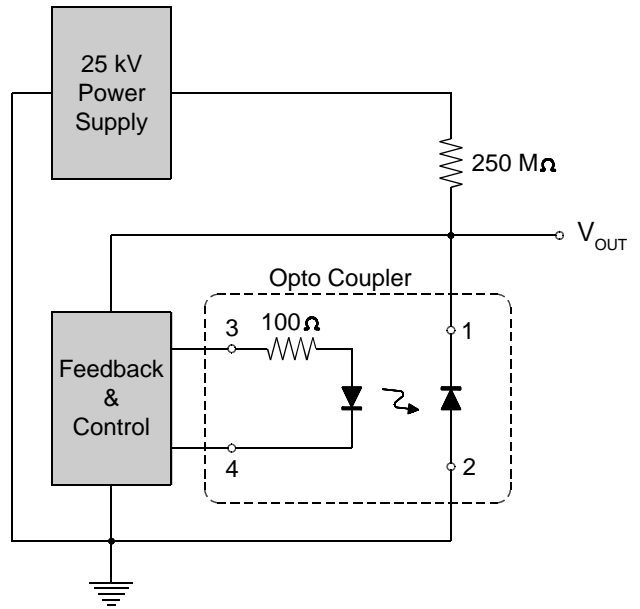
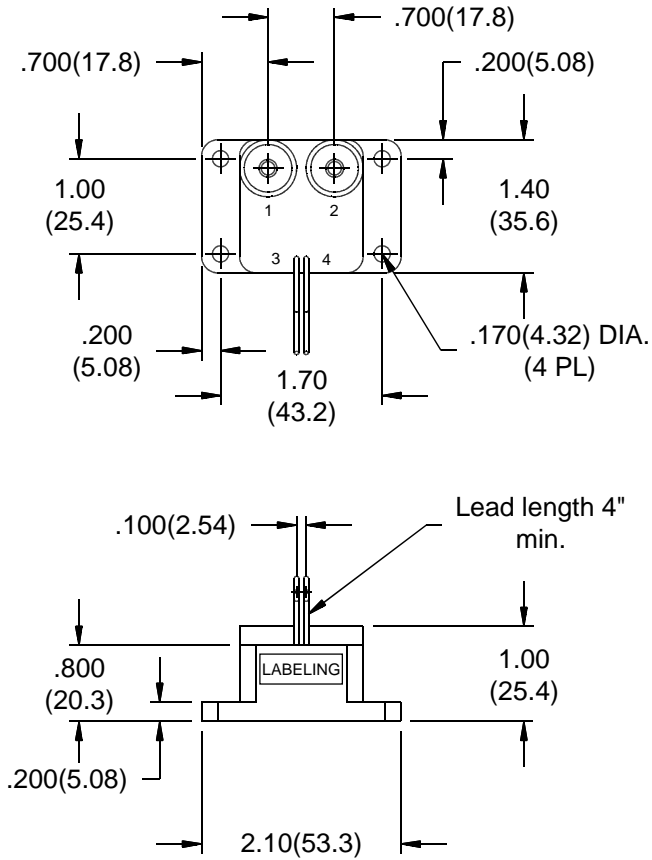
ABSOLUTE MAXIMUM RATINGS		ELECTRICAL CHARACTERISTICS	
LED		LED	
• Forward DC Current	100 mA	• Forward Voltage (If = 100 mA)	9.0 V
• Surge Current	2.5 A	• Reverse Leakage Current	10nA
• Reverse Voltage	20 V	VR = 20 V	
• Power Dissipation (25°C)	1000 mW		
Photodiode		Photodiode	
• Reverse Voltage	25,000 V	• Forward Voltage (If = 0.6 A)	36 V MAX
• Power Dissipation	2.5 W	• Reverse Leakage Current Typical	
		VR = 25 kV, I _{LED} = 0 mA	250 nA
		VR = 25 kV, I _{LED} = 100 mA	100 μA
<ul style="list-style-type: none"> • Storage Temperature -40°C to +125°C • Operating Temperature -40°C to +100°C • Isolation Test Voltage 25 kV (Pins 1 & 2 to Pins 3 and 4) 		Coupled	
		• DC Current Transfer Ratio	0.1%
		• T _{ON}	2 μs
		• T _{OFF}	2 μs
All ratings at 25°C unless otherwise noted			



VOLTAGE MULTIPLIERS INC.
8711 W. Roosevelt Ave.
Visalia, CA 93291

TEL 559-651-1402
FAX 559-651-0740
www.voltagemultipliers.com

OC250



Typical HV Linear Regulator Circuit

- Select resistor value to optimize circuit for V_{OUT} and I_{OUT} range.

