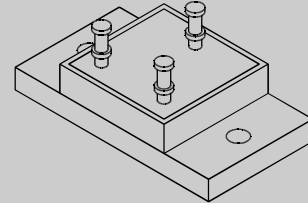


200 V - 1,000 V Positive Center Tap

20.0 A - 25.0 A Forward Current

70 ns - 3000 ns Recovery Time

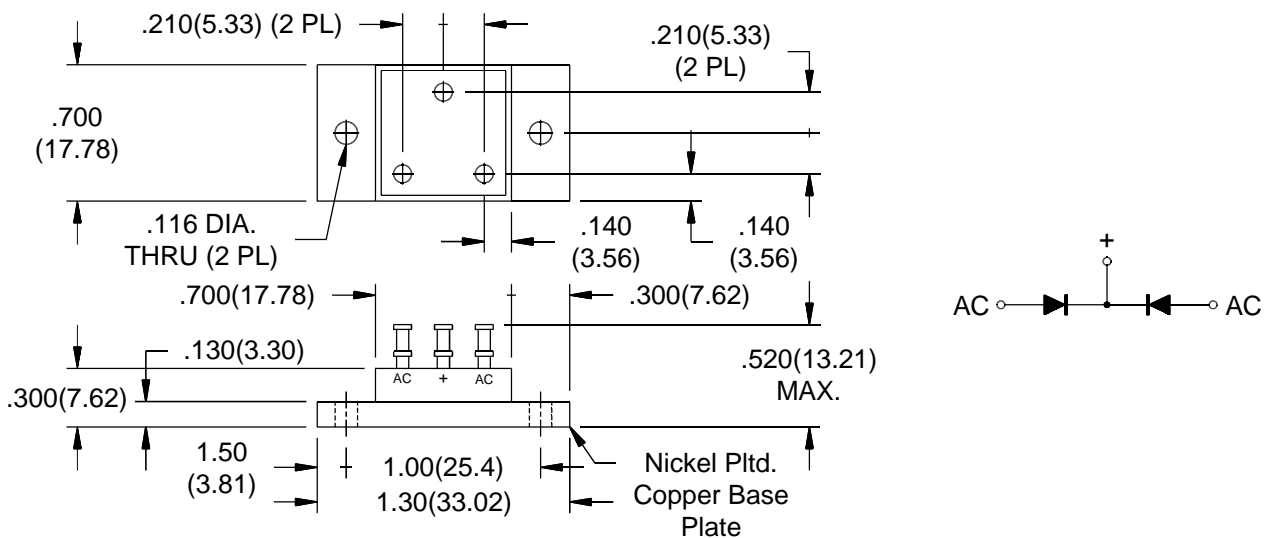
LTI202TP - LTI210TP
LTI202FTP - LTI210FTP
LTI202UFTP-LTI210UFTP



ELECTRICAL CHARACTERISTICS AND MAXIMUM RATINGS

Part Number	Working Reverse Voltage (V _{rwm})	Average Rectified Current @TC (I _o)		Reverse Current @ V _{rwm} (I _r)		Forward Voltage (V _f)		1 Cycle Surge Current tp=8.3ms (I _{fsm})	Repetitive Surge Current (I _{frm})	Reverse Recovery Time (1) (T _{rr})	Thermal Impd. θ _{J-C}
		55°C	100°C	25°C	100°C	25°C		25°C	25°C	25°C	
		Amps	Amps	μA	μA	Volts	Amps	Amps	Amps	ns	°C/W
LTI202TP LTI206TP LTI210TP	200 600 1000	25.0 25.0 25.0	18.0 18.0 18.0	2.0 2.0 2.0	50 50 50	1.3 1.3 1.3	6.0 6.0 6.0	80 80 80	20 20 20	3000 3000 3000	1.5 1.5 1.5
LTI202FTP LTI206FTP LTI210FTP	200 600 1000	20.0 20.0 20.0	15.0 15.0 15.0	2.0 2.0 2.0	50 50 50	1.7 1.7 1.7	6.0 6.0 6.0	80 80 80	20 20 20	150 150 150	1.5 1.5 1.5
LTI202UFTP LTI206UFTP LTI210UFTP	200 600 1000	20.0 20.0 20.0	15.0 15.0 15.0	2.0 2.0 2.0	50 50 50	1.7 1.7 1.7	6.0 6.0 6.0	80 80 80	20 20 20	70 70 70	1.5 1.5 1.5

(1)T_{rr} Testing: I_f=0.5A, I_r=1.0A, I_{rr}=0.25A *Op. Temp. & Stg. Temp. = -55°C to +150°C Isolation Voltage: 2000V



Dimensions: In. (mm) • All temperatures are ambient unless otherwise noted. • Data subject to change without notice.



VOLTAGE MULTIPLIERS INC.
 8711 W. Roosevelt Ave.
 Visalia, CA 93291

TEL 559-651-1402
 FAX 559-651-0740
 www.voltagemultipliers.com

LTI202TP - LTI210TP • LTI202FTP - LTI210FTP • LTI202UFTP - LTI210UFTP

