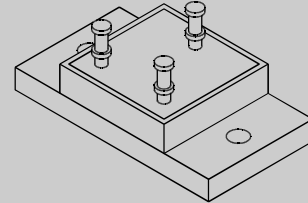


200 V - 1,000 V Doubler
10.0 A - 12.5 A Forward Current
70 ns - 3000 ns Recovery Time

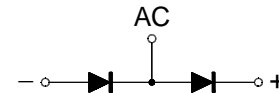
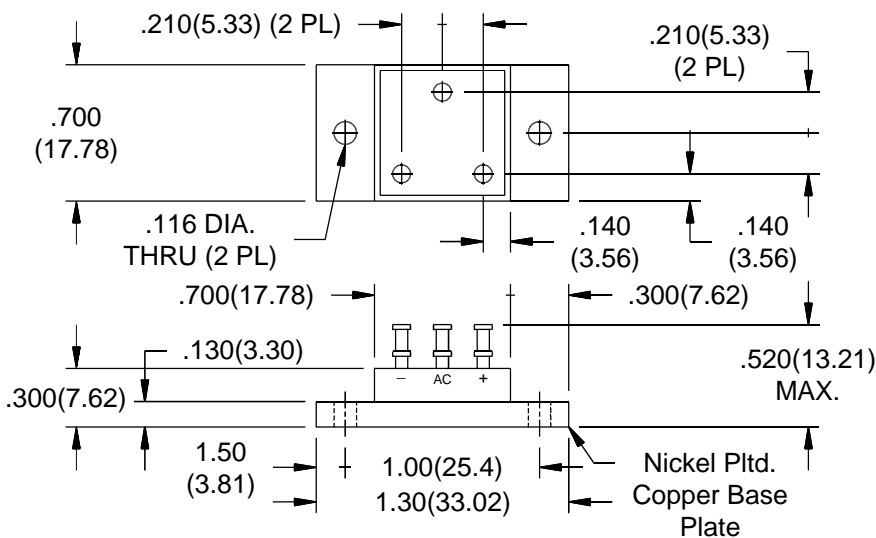
LTI202TD - LTI210TD
LTI202FTD - LTI210FTD
LTI202UFTD-LTI210UFTD



ELECTRICAL CHARACTERISTICS AND MAXIMUM RATINGS

Part Number	Working Reverse Voltage (V _{rw})	Average Rectified Current @TC (I _o)		Reverse Current @ V _{rw} (I _r)		Forward Voltage (V _f)		1 Cycle Surge Current tp=8.3ms (I _{fsm})	Repetitive Surge Current (I _{frm})	Reverse Recovery Time (1) (T _{rr})	Thermal Impd. θ _{J-C}
		55°C	100°C	25°C	100°C	25°C		25°C	25°C	25°C	
		Amps	Amps	µA	µA	Volts	Amps	Amps	Amps	ns	°C/W
LTI202TD	200	12.5	9.0	2.0	50	1.3	6.0	80	20	3000	1.5
LTI206TD	600	12.5	9.0	2.0	50	1.3	6.0	80	20	3000	1.5
LTI210TD	1000	12.5	9.0	2.0	50	1.3	6.0	80	20	3000	1.5
LTI202FTD	200	10.0	7.5	2.0	50	1.7	6.0	80	20	150	1.5
LTI206FTD	600	10.0	7.5	2.0	50	1.7	6.0	80	20	150	1.5
LTI210FTD	1000	10.0	7.5	2.0	50	1.7	6.0	80	20	150	1.5
LTI202UFTD	200	10.0	7.5	2.0	50	1.7	6.0	80	20	70	1.5
LTI206UFTD	600	10.0	7.5	2.0	50	1.7	6.0	80	20	70	1.5
LTI210UFTD	1000	10.0	7.5	2.0	50	1.7	6.0	80	20	70	1.5

(1)T_{rr} Testing: I_f=0.5A, I_r=1.0A, I_{rr}=0.25A *Op. Temp. & Stg. Temp. = -55°C to +150°C Isolation Voltage: 2000V



Dimensions: In. (mm) • All temperatures are ambient unless otherwise noted. • Data subject to change without notice.



VOLTAGE MULTIPLIERS INC.
 8711 W. Roosevelt Ave.
 Visalia, CA 93291

TEL 559-651-1402
 FAX 559-651-0740
 www.voltagemultipliers.com

LTI202TD - LTI210TD • LTI202FTD - LTI210FTD • LTI202UFTD - LTI210UFTD

