



200MHZ 3-DIMM CLOCK FOR SOLANO CHIPSET

1.0 GENERAL DESCRIPTION

The W83195AR-25 is a Clock Synthesizer for Intel 815 Solano chipset. W83195AR-25 provides all clocks required for high-speed RISC or CISC microprocessor and also provides 64 different frequencies of CPU, SDRAM, PCI, 3V66, IOAPIC clocks frequency setting. All clocks are externally selectable with smooth transitions.

The W83195AR-25 provides I²C serial bus interface to program the registers to enable or disable each clock outputs and provides 0.25% and 0.5% center type spread spectrum to reduce EMI.

The W83195AR-25 accepts a 14.318 MHz reference crystal as its input and runs on a 3.3V supply. High drive PCI and SDRAM CLOCK outputs typically provide greater than 1 V /ns slew rate into 30 pF loads. CPU CLOCK outputs typically provide better than 1 V /ns slew rate into 20 pF loads as maintaining 50± 5% duty cycle. The fixed frequency outputs as REF, 24MHz, and 48 MHz provide better than 0.5V /ns slew rate.

2.0 PRODUCT FEATURES

- 2 CPU clocks (2.5V)
- 3 3V-66 clocks (3.3V)
- 12 SDRAM clocks for 3 DIMMs(3.3V)
- 8 PCI synchronous clocks.
- Optional single or mixed supply:
(VDDR = VDDP=VDDS = VDD48 = VDD3 = 3.3V, VDDA=VDDC=2.5V)
- Skew form CPU to PCI clock -1 to 4 ns, center 2.6 ns
- Smooth frequency switch with selections from 66.8 to 200MHz
- I²C 2-Wire serial interface and I²C read back
- 0.25% center and 0.5% center type spread spectrum
- Programmable registers to enable/stop each output and select modes
(mode as Tri-state or Normal)
- 48 MHz for USB
- 24 MHz for super I/O
- Packaged in 56-pin SSOP

3.0 PIN CONFIGURATION

VDDR	<input type="checkbox"/>	1	●	56	<input type="checkbox"/>	REF0/ *FS4^
Xin	<input type="checkbox"/>	2		55	<input type="checkbox"/>	VddA
Xout	<input type="checkbox"/>	3		54	<input type="checkbox"/>	IOAPIC
VSS	<input type="checkbox"/>	4		53	<input type="checkbox"/>	VDDC
VSS	<input type="checkbox"/>	5		52	<input type="checkbox"/>	CPUCLK0
3V66-0	<input type="checkbox"/>	6		51	<input type="checkbox"/>	CPUCLK1
3V66-1	<input type="checkbox"/>	7		50	<input type="checkbox"/>	VSS
3V66-2	<input type="checkbox"/>	8		49	<input type="checkbox"/>	VSS
VDD3	<input type="checkbox"/>	9		48	<input type="checkbox"/>	SDRAM 0
VDDP	<input type="checkbox"/>	10		47	<input type="checkbox"/>	SDRAM 1
PCICLK0/ *FS0	<input type="checkbox"/>	11		46	<input type="checkbox"/>	SDRAM 2
PCICLK1/ *FS1	<input type="checkbox"/>	12		45	<input type="checkbox"/>	VDDS
PCICLK2/SEL24_48*	<input type="checkbox"/>	13		44	<input type="checkbox"/>	SDRAM 3
VSS	<input type="checkbox"/>	14		43	<input type="checkbox"/>	SDRAM 4
PCICLK3^	<input type="checkbox"/>	15		42	<input type="checkbox"/>	SDRAM 5
PCICLK4^	<input type="checkbox"/>	16		41	<input type="checkbox"/>	VSS
PCICLK5^	<input type="checkbox"/>	17		40	<input type="checkbox"/>	SDRAM 6
VDDP	<input type="checkbox"/>	18		39	<input type="checkbox"/>	SDRAM 7
PCICLK6	<input type="checkbox"/>	19		38	<input type="checkbox"/>	SDRAM_F
PCICLK7	<input type="checkbox"/>	20		37	<input type="checkbox"/>	VDDS
VSS	<input type="checkbox"/>	21		36	<input type="checkbox"/>	VSS
PD#	<input type="checkbox"/>	22		35	<input type="checkbox"/>	24_48MHz/ *FS2
*SDCLK	<input type="checkbox"/>	23		34	<input type="checkbox"/>	48MHz/ *FS3 ^
*SDATA	<input type="checkbox"/>	24		33	<input type="checkbox"/>	VDD48
VDDS	<input type="checkbox"/>	25		32	<input type="checkbox"/>	VDDS
SDRAM 11	<input type="checkbox"/>	26		31	<input type="checkbox"/>	SDRAM 8
SDRAM 10	<input type="checkbox"/>	27		30	<input type="checkbox"/>	SDRAM 9
VSS	<input type="checkbox"/>	28		29	<input type="checkbox"/>	VSS

Note: * Internal pull-up

^ 1.5~2 strength

4.0 PIN DESCRIPTION

IN - Input

OUT - Output

I/O - Bi-directional Pin

- Active Low

* - Internal 250kΩ pull-up

4.1 Crystal I/O

SYMBOL	PIN	I/O	FUNCTION
Xin	2	IN	Crystal input with internal loading capacitors(36pF) and feedback resistors.
Xout	3	OUT	Crystal output at 14.318MHz nominally with internal loading capacitors(36pF).

4.2 CPU, SDRAM, PCI, IOAPIC Clock Outputs

SYMBOL	PIN	I/O	FUNCTION
CPUCLK [0:1]	52,51	OUT	Low skew (< 250ps) clock outputs for host frequencies such as CPU and Chipset.
PD#	22	IN	Power Down mode when driven low.
IOAPIC	54	OUT	Clock outputs synchronous with PCI clock and powered by VddA.
SDRAM_F, SDRAM[0:11]	38, 48,47,46, 44,43,42,40, 39,31, 30,27, 26	OUT	SDRAM clock outputs.
PCICLK0/ *FS0	11	I/O	3.3V 33MHz PCI clock during normal operation. Latched input for FS0 at initial power up for H/W selecting the output frequency of CPU, SDRAM and PCI clocks(Default=1).
PCICLK1/ FS1#	12	I/O	Low skew (< 250ps) PCI clock outputs. Latched input for FS1 at initial power up for H/W selecting the output frequency of CPU, SDRAM and PCI clocks(Default=0).
PCICLK2/ *SEL24_48	12	I/O	Low skew (< 250ps) PCI clock outputs. Latched input for SEL24_48 at initial power up for the output frequency of 24MHz(HIGH) and 48MHz(LOW) clocks.
PCICLK [3:7]	15,16,17,19,20	OUT	Low skew (< 250ps) PCI clock outputs.
3V66 [0:2]	6,7,8	OUT	3.3V output clocks for the chipset.

4.3 I²C Control Interface

SYMBOL	PIN	I/O	FUNCTION
*SDATA	24	I/O	Serial data of I ² C 2-wire control interface with internal pull-up resistor.
*SDCLK	23	IN	Serial clock of I ² C 2-wire control interface with internal pull-up resistor.

4.4 Fixed Frequency Outputs

SYMBOL	PIN	I/O	FUNCTION
REF0 / *FS4	56	I/O	14.318MHz reference clock. This REF output is the stronger buffer for ISA bus loads. Latched input for FS4 at initial power up for H/W selecting the output frequency of CPU, SDRAM and PCI clocks (Default=1).
24_48MHz/FS2*	23	I/O	24MHz or 48MHz output clock. Default is 24MHz. Latched input for FS2 at initial power up for H/W selecting the output frequency of CPU, SDRAM and PCI clocks(Default=1).
48MHz/ FS3*	22	I/O	48MHz / Latched input for FS3 at initial power up for H/W selecting the output frequency of CPU, SDRAM and PCI clocks (Default=1).

4.5 Power Pins

SYMBOL	PIN	FUNCTION
VddC	53	Power supply for CPU & IOAPIC, 2.5V or 3.3V.
Vdd48	33	Power supply for 48MHz output,3.3V.
Vdd3	9	Power supply for 3V_66 output, 3.3V.
VddP	10,18	Power supply for PCICLK, 3.3V.
VddR	1	Power supply for REF0, 3.3V.
VddS	45,37,32,25	Power supply for SDRAM_F,SDRAM[0:11], nominal 3.3V.
Vss	4,5,14,21,28,29,36,41, 49.50	Circuit Ground.

5.0 FREQUENCY SELECTION BY HARDWARE

FS4	FS3	FS2	FS1	FS0	CPU(MHz)	SDRAM(MHz)	3V66(MHz)	PCI(MHz)	IOAPIC (MHz)
0	0	0	0	0	55.00	82.50	55.00	27.50	13.75
0	0	0	0	1	60.00	90.00	60.00	30.00	15.00
0	0	0	1	0	66.80	100.20	66.80	33.40	16.70
0	0	0	1	1	68.33	102.50	68.33	34.17	17.08
0	0	1	0	0	70.00	105.00	70.00	35.00	17.50
0	0	1	0	1	72.00	108.00	72.00	36.00	18.00
0	0	1	1	0	75.00	112.50	75.00	37.50	18.75
0	0	1	1	1	77.00	115.50	77.00	38.50	19.25
0	1	0	0	0	83.30	83.30	55.53	27.77	13.88
0	1	0	0	1	90.00	90.00	60.00	30.00	15.00
0	1	0	1	0	100.30	100.30	66.87	33.43	16.72
0	1	0	1	1	103.00	103.00	68.67	34.33	17.17
0	1	1	0	0	112.50	112.50	75.00	37.50	18.75
0	1	1	0	1	115.00	115.00	76.67	38.33	19.17
0	1	1	1	0	120.00	120.00	80.00	40.00	20.00
0	1	1	1	1	125.00	125.00	83.33	41.67	20.83
1	0	0	0	0	128.00	128.00	64.00	32.00	16.00
1	0	0	0	1	130.00	130.00	65.00	32.50	16.25
1	0	0	1	0	133.70	133.70	66.85	33.43	16.71
1	0	0	1	1	137.00	137.00	68.50	34.25	17.13
1	0	1	0	0	140.00	140.00	70.00	35.00	17.50
1	0	1	0	1	145.00	145.00	72.50	36.25	18.13
1	0	1	1	0	150.00	150.00	75.00	37.50	18.75
1	0	1	1	1	153.33	153.33	76.67	38.33	19.17
1	1	0	0	0	125.00	93.75	62.50	31.25	15.63
1	1	0	0	1	130.00	97.50	65.00	32.50	16.25
1	1	0	1	0	133.70	100.28	66.85	33.43	16.71
1	1	0	1	1	137.00	102.75	68.50	34.25	17.13
1	1	1	0	0	140.00	105.00	70.00	35.00	17.50
1	1	1	0	1	145.00	108.75	72.50	36.25	18.13
1	1	1	1	0	150.00	112.50	75.00	37.50	18.75
1	1	1	1	1	153.33	115.00	76.67	38.33	19.17

6. SERIAL CONTROL REGISTERS

The Pin column lists the affected pin number and the @PowerUp column gives the state at true power up. Registers are set to the values shown only on true power up. "Command Code" byte and "Byte Count" byte must be sent following the acknowledge of the Address Byte. Although the data (bits) in these two bytes are considered "don't care", they must be sent and will be acknowledge. After that, the below described sequence (Register 0, Register 1, Register 2,) will be valid and acknowledged.

Frequency Table Setting by I2C (SEL5 ~ SEL0)

SSEL5	SSEL4	SSEL3	SSEL2	SSEL1	SSEL0	CPU (MHz)	SDRAM (MHz)	3V66 (MHz)	PCI(MHz)	IOAPIC (MHz)
0	0	0	0	0	0	55.00	82.50	55.00	27.50	13.75
0	0	0	0	0	1	60.00	90.00	60.00	30.00	15.00
0	0	0	0	1	0	66.80	100.20	66.80	33.40	16.70
0	0	0	0	1	1	68.33	102.50	68.33	34.17	17.08
0	0	0	1	0	0	70.00	105.00	70.00	35.00	17.50
0	0	0	1	0	1	72.00	108.00	72.00	36.00	18.00
0	0	0	1	1	0	75.00	112.50	75.00	37.50	18.75
0	0	0	1	1	1	77.00	115.50	77.00	38.50	19.25
0	0	1	0	0	0	83.30	83.30	55.53	27.77	13.88
0	0	1	0	0	1	90.00	90.00	60.00	30.00	15.00
0	0	1	0	1	0	100.30	100.30	66.87	33.43	16.72
0	0	1	0	1	1	103.00	103.00	68.67	34.33	17.17
0	0	1	1	0	0	112.50	112.50	75.00	37.50	18.75
0	0	1	1	0	1	115.00	115.00	76.67	38.33	19.17
0	0	1	1	1	0	120.00	120.00	80.00	40.00	20.00
0	0	1	1	1	1	125.00	125.00	83.33	41.67	20.83
0	1	0	0	0	0	128.00	128.00	64.00	32.00	16.00
0	1	0	0	0	1	130.00	130.00	65.00	32.50	16.25
0	1	0	0	1	0	133.70	133.70	66.85	33.43	16.71
0	1	0	0	1	1	137.00	137.00	68.50	34.25	17.13
0	1	0	1	0	0	140.00	140.00	70.00	35.00	17.50
0	1	0	1	0	1	145.00	145.00	72.50	36.25	18.13
0	1	0	1	1	0	150.00	150.00	75.00	37.50	18.75
0	1	0	1	1	1	153.33	153.33	76.67	38.33	19.17
0	1	1	0	0	0	125.00	93.75	62.50	31.25	15.63
0	1	1	0	0	1	130.00	97.50	65.00	32.50	16.25
0	1	1	0	1	0	133.70	100.28	66.85	33.43	16.71
0	1	1	0	1	1	137.00	102.75	68.50	34.25	17.13
0	1	1	1	0	0	140.00	105.00	70.00	35.00	17.50
0	1	1	1	0	1	145.00	108.75	72.50	36.25	18.13
0	1	1	1	1	0	150.00	112.50	75.00	37.50	18.75



PRELIMINARY

0	1	1	1	1	1	153.33	115.00	76.67	38.33	19.17
SSEL5	SSEL4	SSEL3	SSEL2	SSEL1	SSEL0	CPU (MHz)	SDRAM (MHz)	3V66 (MHz)	PCI(MHz)	IOAPIC (MHz)
1	0	0	0	0	0	66.8	133.00	66.80	33.40	16.70
1	0	0	0	0	1	135.00	135.00	67.50	33.75	16.88
1	0	0	0	1	0	142.00	142.00	71.00	35.50	17.75
1	0	0	0	1	1	143.00	143.00	71.50	35.75	17.88
1	0	0	1	0	0	144.00	144.00	72.00	36.00	18.00
1	0	0	1	0	1	146.00	146.00	73.00	36.50	18.25
1	0	0	1	1	0	147.00	147.00	73.50	36.75	18.38
1	0	0	1	1	1	148.00	148.00	74.00	37.00	18.50
1	0	1	0	0	0	100.20	133.00	66.80	33.40	16.70
1	0	1	0	0	1	156.00	156.00	78.00	39.00	19.50
1	0	1	0	1	0	158.00	158.00	79.00	39.50	19.75
1	0	1	0	1	1	160.00	160.00	80.00	40.00	20.00
1	0	1	1	0	0	135.00	101.25	67.50	33.75	16.88
1	0	1	1	0	1	139.00	104.25	69.50	34.75	17.38
1	0	1	1	1	0	141.00	105.75	70.50	35.25	17.63
1	0	1	1	1	1	142.00	106.50	71.00	35.50	17.75
1	1	0	0	0	0	143.00	107.25	71.50	35.75	17.88
1	1	0	0	0	1	144.00	108.00	72.00	36.00	18.00
1	1	0	0	1	0	146.00	109.50	73.00	36.50	18.25
1	1	0	0	1	1	147.00	110.25	73.50	36.75	18.38
1	1	0	1	0	0	148.00	111.00	74.00	37.00	18.50
1	1	0	1	0	1	149.00	111.75	74.50	37.25	18.63
1	1	0	1	1	0	153.00	114.75	76.50	38.25	19.13
1	1	0	1	1	1	157.00	117.75	78.50	39.25	19.63
1	1	1	0	0	0	159.00	119.25	79.50	39.75	19.88
1	1	1	0	0	1	162.00	121.50	81.00	40.50	20.25
1	1	1	0	1	0	164.00	123.00	82.00	41.00	20.50
1	1	1	0	1	1	170.00	127.50	85.00	42.50	21.25
1	1	1	1	0	0	175.00	116.67	58.30	29.15	14.58
1	1	1	1	0	1	180.00	120.00	60.00	30.00	15.00
1	1	1	1	1	0	190.00	95.00	63.33	31.67	15.83
1	1	1	1	1	1	200.40	133.60	66.80	33.40	16.70

6.1 Register 0: CPU Frequency Select Register

Bit	@PowerUp	Pin	Description
7	0	-	SSEL3 (Frequency table selection by software via I ² C)
6	0	-	SSEL2 (Frequency table selection by software via I ² C)
5	0	-	SSEL1 (Frequency table selection by software via I ² C)
4	0	-	SSEL0 (Frequency table selection by software via I ² C)
3	0	-	0 = Selection by hardware 1 = Selection by software I ² C - Bit (2, 7:4)
2	0	-	SSEL4 (Frequency table selection by software via I ² C)
1	0	-	SSEL5 (Frequency table selection by software via I²C)
0	0	-	0 = Running 1 = Tristate all outputs

6.2 Register 1 : CPU Clock Register (1 = Active, 0 = Inactive)

Bit	@PowerUp	Pin	Description
7	X	-	FS3#
6	X	-	FS0#
5	X	-	FS2#
4	1	27	24MHz(Active / Inactive)
3	1	26	48MHz(Active / Inactive)
2	1	-	1 = ±0.25% Center type Spread Spectrum Modulation 0 = ±0.5% Center type Spread Spectrum Modulation
1	0	-	0 = Normal 1 = Spread Spectrum enabled
0	1	-	Reserved

6.3 Register 2: SDRAM Clock Register (1 = Active, 0 = Inactive)

Bit	@PowerUp	Pin	Description
7	1	39	SDRAM7 (Active / Inactive)
6	1	40	SDRAM6 (Active / Inactive)
5	1	42	SDRAM5 (Active / Inactive)
4	1	43	SDRAM4 (Active / Inactive)
3	1	44	SDRAM3 (Active / Inactive)
2	1	46	SDRAM2 (Active / Inactive)
1	1	47	SDRAM1 (Active / Inactive)
0	1	48	SDRAM0 (Active / Inactive)

PRELIMINARY

6.4 Register 3: PCI Clock Register (1 = Active, 0 = Inactive)

Bit	@PowerUp	Pin	Description
7	1	20	PCICLK7 (Active / Inactive)
6	1	19	PCICLK6 (Active / Inactive)
5	1	17	PCICLK5 (Active / Inactive)
4	1	16	PCICLK4 (Active / Inactive)
3	1	15	PCICLK3 (Active / Inactive)
2	1	13	PCICLK2 (Active / Inactive)
1	1	12	PCICLK1 (Active / Inactive)
0	1	11	PCICLK0 (Active / Inactive)

6.5 Register 4: Additional Register (1 = Active, 0 = Inactive)

Bit	@PowerUp	Pin	Description
7	1	-	Reserved
6	1	7	3V66_0(Active / Inactive)
5	1	8	3V66_1(Active / Inactive)
4	X	-	FS4#
3	1	46	IOAPIC (Active / Inactive)
2	X	-	FS1#
1	1	43	CPUCLK1(Active / Inactive)
0	1	44	CPUCLK0(Active / Inactive)

6.6 Register 5: SDRAM Clock Register (1 = Active, 0 = Inactive)

Bit	@PowerUp	Pin	Description
7	1	-	SKEW2(SDRAM to CPU Skew programming bit)
6	0	-	SKEW1(SDRAM to CPU Skew programming bit)
5	0	-	SKEW0(SDRAM to CPU Skew programming bit)
4	1	38	SDRAM_F (Active / Inactive)
3	1	26	SDRAM11 (Active / Inactive)
2	1	27	SDRAM10 (Active / Inactive)
1	1	30	SDRAM9 (Active / Inactive)
0	1	31	SDRAM8 (Active / Inactive)

6.7 Register 6: Winbond Chip ID Register (Read Only)

Bit	@PowerUp	Pin	Description
7	1	-	Winbond Chip ID
6	0	-	Winbond Chip ID
5	0	-	Winbond Chip ID
4	1	-	Winbond Chip ID
3	1	-	Winbond Chip ID
2	0	-	Winbond Chip ID
1	0	-	Winbond Chip ID
0	0	-	Winbond Chip ID

6.8 Register 7: Winbond Chip ID Register (Read Only)

Bit	@PowerUp	Pin	Description
7	0	-	Winbond Chip ID
6	1	-	Winbond Chip ID
5	0	-	Winbond Chip ID
4	1	-	Winbond Chip ID
3	0	-	Winbond Version ID
2	0	-	Winbond Version ID
1	0	-	Winbond Version ID
0	1	-	Winbond Version ID

7.0 SPECIFICATIONS

7.1 Absolute Maximum Ratings

Stresses greater than those listed in this table may cause permanent damage to the device. Precautions should be taken to avoid application of any voltage higher than the maximum rated voltages to this circuit. Maximum conditions for extended periods may affect reliability. Unused inputs must always be tied to an appropriate logic voltage level (Ground or Vdd).

Symbol	Parameter	Rating
Vdd , V _{IN}	Voltage on any pin with respect to GND	- 0.5 V to + 7.0 V
T _{STG}	Storage Temperature	- 65°C to + 150°C
T _B	Ambient Temperature	- 55°C to + 125°C
T _A	Operating Temperature	0°C to + 70°C

7.2 Electrical Characteristics---Input/Output

Vddq1=Vddq2 = Vddq3 = Vddq4 =3.3V, VddL1 =VddL2= 2.5V , T _A = 0° C to +70° C						
Parameter	Symbol	Min	Typ	Max	Units	Test Conditions
Input Low Voltage	V _{IL}	Vss-0.3		0.8	V _{dc}	
Input High Voltage	V _{IH}	2.0		Vdd+0.3	V _{dc}	
Input Low Current	I _{IL}	-5			μA	No pull-up resistors
Input Low Current	I _{IL}	-200			μA	Pull-up resistors
Input High Current	I _{IH}	-5		5	μA	
Input Capacitance	C _{IN}			5	pF	Logic inputs
	C _{OUT}			6	pF	Output capacitance
	C _{INX}	27		45	pF	Xin and Xout
Operating Supply Current	I _{dd3}			100	MA	CPU = 66.6 MHz PCI = 33.3 Mhz with load
Power Down Supply Current	I _{dd2}			600	μA	
Settling Time	T _s			3	mS	From first crossing to 1% target freq.
Delay	t _{PZH} , t _{PZH}	1		10	nS	Output enable delay
	t _{PLZ} , t _{PZH}	1		10	nS	Output enable delay

7.3 Electrical Characteristics of CPU Clock

V_{dd}=2.5V +/- 5%; C_L=10-20pF

Parameter	Symbol	Min	Typ	Max	Units	Test Conditions
Output Impedance	R _{DSP}	13.5		40	Ohm	
Output Impedance	R _{DSN}	13.5		40	Ohm	
Output Low Voltage	V _{OL}			0.4	V	I _{OL} =1mA
Output High Voltage	V _{OH}	2.0			V	I _{OH} =-1mA
Output Low Current	I _{OL}	27		30	MA	
Output High Current	I _{OH}	-27		-27	MA	
Pull-Up Current Min	I _{OH(min)}	-27			MA	V _{out} = 1.0 V
Pull-Up Current Max	I _{OH(max)}			-27	MA	V _{out} = 2.0V
Rise/Fall Time Min Between 0.4 V and 2.0 V	T _{RF(min)}	0.4			ns	10pF Load
Rise/Fall Time Max Between 0.4 V and 2.0 V	T _{RF(max)}			1.6	ns	20pF Load
Duty Cycle	Dt	45		55	%	V _T =1.25V
Skew	T _{SK}			175	ps	V _T =1.25V
Jitter	T _{sc-c}			250	ps	V _T =1.25V

7.4 Electrical Characteristics of 3V66 Clock

V_{dd}=3.3V +/- 5%; C_L=10-30pF

Parameter	Symbol	Min	Typ	Max	Units	Test Conditions
Output Impedance	R _{DSP}	15		55	Ohm	
Output Impedance	R _{DSN}	15		55	Ohm	
Output Low Voltage	V _{OL}			0.55	V	I _{OL} =1mA
Output High Voltage	V _{OH}	2.4			V	I _{OH} =-1mA
Output Low Current	I _{OL}	30		38	MA	
Output High Current	I _{OH}	-33		-33	MA	
Rise/Fall Time Min Between 0.4 V and 2.0 V	T _{RF(min)}	0.4			ns	10pF Load
Rise/Fall Time Max Between 0.4 V and 2.0 V	T _{RF(max)}			1.6	ns	20pF Load
Duty Cycle	Dt	45		55	%	V _T =1.5V
Skew	T _{SK}			175	ps	V _T =1.5V
Jitter	T _{sc-c}			500	ps	V _T =1.5V

7.5 Electrical Characteristics of SDRAM Clock

V_{dd}=3.3V +/- 5%; C_L=20-30pF

Parameter	Symbol	Min	Typ	Max	Units	Test Conditions
Output Impedance	R _{DSP}	13.5		40	Ohm	
Output Impedance	R _{DSN}	13.5		40	Ohm	
Output Low Voltage	V _{OL}			0.45	V	I _{OL} =1mA
Output High Voltage	V _{OH}	2.4			V	I _{OH} =-1mA
Output Low Current	I _{OL}	54		54	MA	
Output High Current	I _{OH}	-54		-45	MA	
Rise/Fall Time Min Between 0.4 V and 2.0 V	T _{RF(min)}	0.4			ns	10pF Load
Rise/Fall Time Max Between 0.4 V and 2.0 V	T _{RF(max)}			1.6	ns	20pF Load
Duty Cycle	Dt	45		55	%	V _T =1.5V
Skew	T _{SK}			250	ps	V _T =1.5V
Jitter	T _{sc-c}			250	ps	V _T =1.5V

7.6 Electrical Characteristics of PCI Clock

V_{dd}=3.3V +/- 5%; C_L=10-30pF

Parameter	Symbol	Min	Typ	Max	Units	Test Conditions
Output Impedance	R _{DSP}	15		55	Ohm	
Output Impedance	R _{DSN}	15		55	Ohm	
Output Low Voltage	V _{OL}			0.55	V	I _{OL} =1mA
Output High Voltage	V _{OH}	2.4			V	I _{OH} =-1mA
Output Low Current	I _{OL}	30		38	MA	
Output High Current	I _{OH}	-33		-33	MA	
Rise/Fall Time Min Between 0.4 V and 2.0 V	T _{RF(min)}	0.5			ns	10pF Load
Rise/Fall Time Max Between 0.4 V and 2.0 V	T _{RF(max)}			2.0	ns	20pF Load
Duty Cycle	Dt	45		55	%	V _T =1.5V
Skew	T _{SK}			500	ps	V _T =1.5V
Jitter	T _{sc-c}			500	ps	V _T =1.5V

7.7 Electrical Characteristics of 48MHz, REF Clock

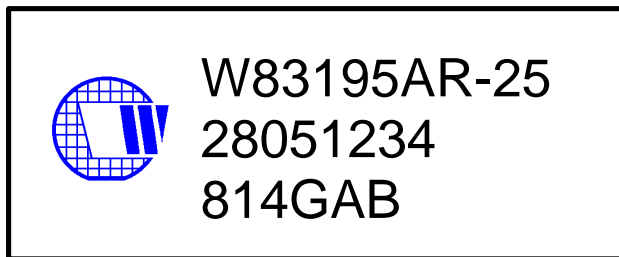
V_{dd}=3.3V +/- 5%; C_L=10-20pF

Parameter	Symbol	Min	Typ	Max	Units	Test Conditions
Output Impedance	R _{DSP}	20		55	Ohm	
Output Impedance	R _{DSN}	20		55	Ohm	
Output Low Voltage	V _{OL}			0.4	V	I _{OL} =1mA
Output High Voltage	V _{OH}	2.4			V	I _{OH} =-1mA
Output Low Current	I _{OL}	29		27	MA	
Output High Current	I _{OH}	-29		-23	MA	
RiseTime	T _R		1.8	4	ns	10pF Load
Fall Time	T _F		1.7	4	ns	20pF Load
Duty Cycle	Dt	45		55	%	V _T =1.5V
Skew	T _{SK}			500	ps	V _T =1.5V
Jitter	T _{SC-C}			1000	ps	V _T =1.5V

8.0 ORDERING INFORMATION

Part Number	Package Type	Production Flow
W83195AR-25	56 PIN SSOP	Commercial, 0°C to +70°C

9.0 HOW TO READ THE TOP MARKING



1st line: Winbond logo and the type number: W83195AR-25

2nd line: Tracking code 2 8051234

2: wafers manufactured in Winbond FAB 2

8051234: wafer production series lot number

3rd line: Tracking code 814 G A B

814: packages made in '98, week 14

G: assembly house ID; O means OSE, G means GR

A: Internal use code

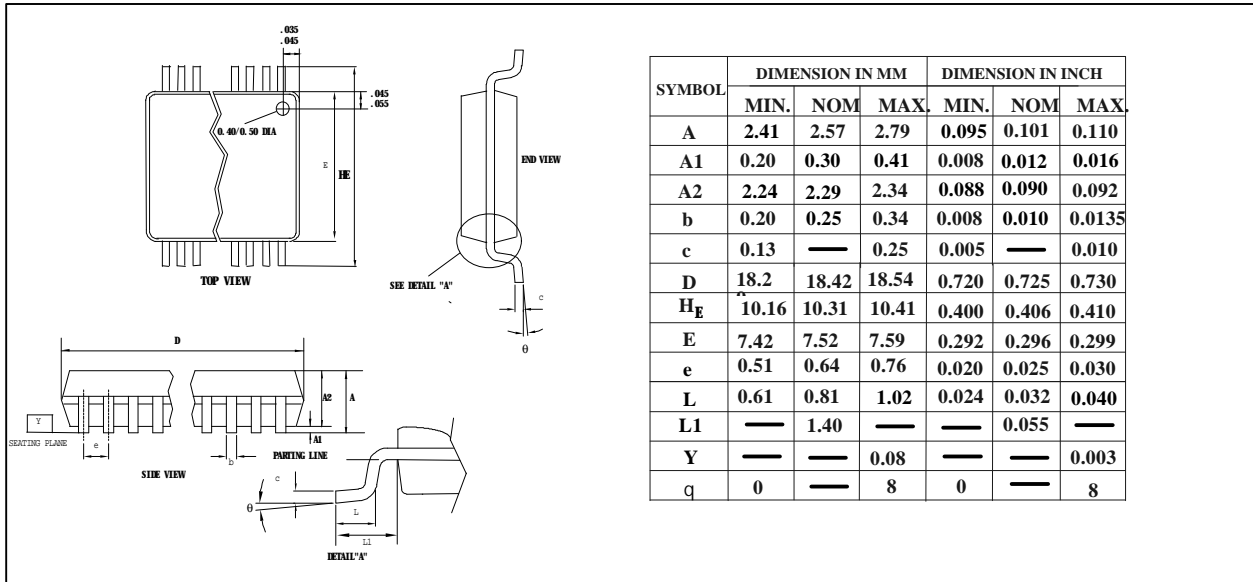
B: IC revision



PRELIMINARY

All the trade marks of products and companies mentioned in this data sheet belong to their respective owners.

10.0 PACKAGE DRAWING AND DIMENSIONS



Headquarters
 No. 4, Creation Rd. III
 Science-Based Industrial Park
 Hsinchu, Taiwan
 TEL: 886-35-770066
 FAX: 886-35-789467
 www: <http://www.winbond.com.tw/>

Taipei Office
 11F, No. 115, Sec. 3, Min-Sheng East Rd.
 Taipei, Taiwan
 TEL: 886-2-7190505
 FAX: 886-2-7197502
 TLX: 16485 WINTPE

Winbond Electronics (H.K.) Ltd.
 Rm. 803, World Trade Square, Tower II
 123 Hoi Bun Rd., Kwun Tong
 Kowloon, Hong Kong
 TEL: 852-27516023-7
 FAX: 852-27552064

Winbond Electronics (North America) Corp.
 2730 Orchard Parkway
 San Jose, CA 95134 U.S.A.
 TEL: 1-408-9436666
 FAX: 1-408-9436668

Please note that all data and specifications are subject to change without notice. All the trade marks of products and companies mentioned in this data sheet belong to their respective owners.

These products are not designed for use in life support appliances, devices, or systems where malfunction of these products can reasonably be expected to result in personal injury. Winbond customers using or selling these products for use in such applications do so at their own risk and agree to fully indemnify Winbond for any damages resulting from such improper use or s////////