



128Kx48 SRAM MODULE *ADVANCED**

FEATURES

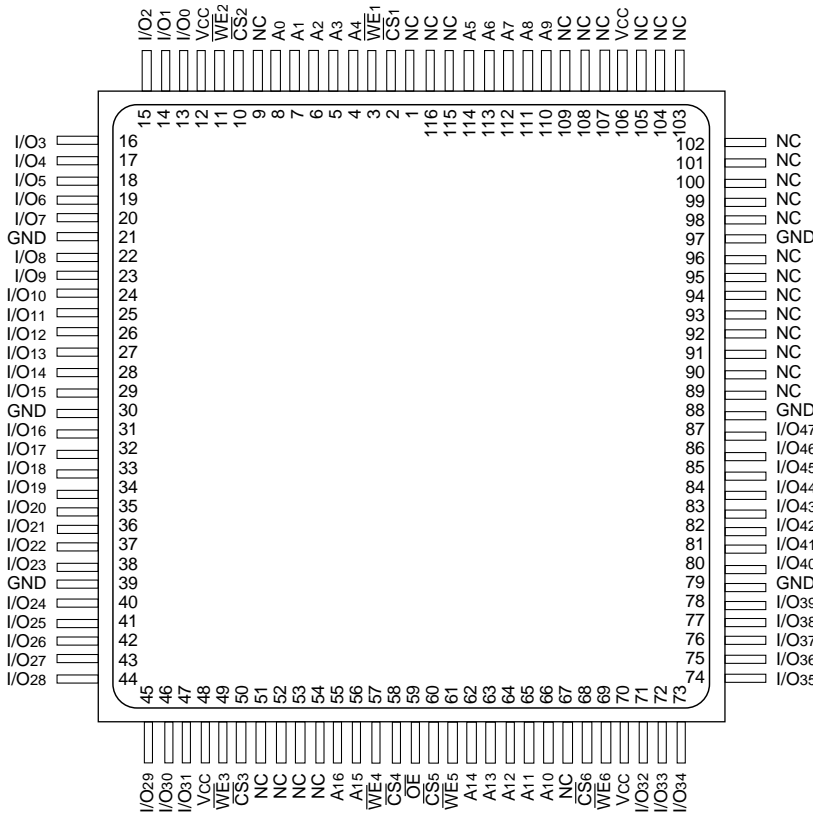
- Access Times 17, 20, 25, 35ns
- Packaging:
 - 116 Lead, 40.0mm Hermetic CQFP (Package 504)
- Commercial, Industrial and Military Temperature Ranges
- 5 Volt Power Supply
- Low Power CMOS
- Organized as 128K x 48, Data Width is user configurable.

- 2V Data Retention Devices Available (Low Power Version)
- TTL Compatible Inputs and Outputs
- Weight
WS128K48-XG4WX - 20 grams typical

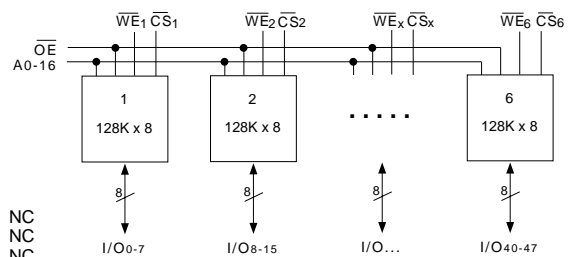
** This data sheet describes a product that may or may not be under development and is subject to change or cancellation without notice.*

PIN CONFIGURATION FOR WS128K48-XG4WX

TOP VIEW



BLOCK DIAGRAM



PIN DESCRIPTION

I/O ₀₋₄₇	Data Inputs/Outputs
A ₀₋₁₆	Address Inputs
WE ₁₋₆	Write Enables
CS ₁₋₆	Chip Selects
OE	Output Enable
V _{cc}	Power Supply
GND	Ground
NC	Not Connected



ABSOLUTE MAXIMUM RATINGS

Parameter	Symbol	Min	Max	Unit
Operating Temperature	T _A	-55	+125	°C
Storage Temperature	T _{STG}	-65	+150	°C
Signal Voltage Relative to GND	V _G	-0.5	V _{CC} +0.5	V
Junction Temperature	T _J		150	°C
Supply Voltage	V _{CC}	-0.5	7.0	V

RECOMMENDED OPERATING CONDITIONS

Parameter	Symbol	Min	Max	Unit
Supply Voltage	V _{CC}	4.5	5.5	V
Input High Voltage	V _{IH}	2.2	V _{CC} + 0.3	V
Input Low Voltage	V _{IL}	-0.3	+0.8	V
Operating Temp. (Mil.)	T _A	-55	+125	°C

TRUTH TABLE

\overline{CS}	\overline{OE}	\overline{WE}	Mode	Data I/O	Power
H	X	X	Standby	High Z	Standby
L	L	H	Read	Data Out	Active
L	X	L	Write	Data In	Active
L	H	H	Out Disable	High Z	Active

CAPACITANCE
(T_A = +25°C)

Parameter	Symbol	Conditions	Max	Unit
\overline{OE} capacitance	C _{OE}	V _{IN} = 0 V, f = 1.0 MHz	100	pF
\overline{WE} capacitance	C _{WE}	V _{IN} = 0 V, f = 1.0 MHz	20	pF
\overline{CS} capacitance	C _{CS}	V _{IN} = 0 V, f = 1.0 MHz	20	pF
Data I/O capacitance	C _{I/O}	V _{I/O} = 0 V, f = 1.0 MHz	20	pF
Address input capacitance	C _{AD}	V _{IN} = 0 V, f = 1.0 MHz	100	pF

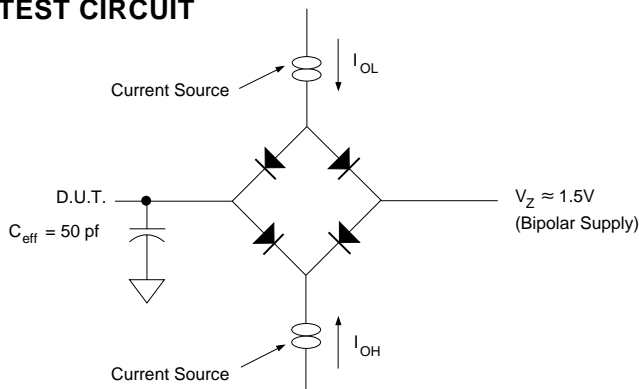
This parameter is guaranteed by design but not tested.

DC CHARACTERISTICS
(V_{CC} = 5.0V, T_A = -55°C to +125°C)

Parameter	Sym	Conditions	-17		-20		-25		-35		Units
			Min	Max	Min	Max	Min	Max	Min	Max	
Input Leakage Current	I _{LI}	V _{CC} = 5.5, V _{IN} = GND to V _{CC}		10		10		10		10	µA
Output Leakage Current	I _{LO}	\overline{CS} = V _{IH} , \overline{OE} = V _{IH} , V _{OUT} = GND to V _{CC}		10		10		10		10	µA
Operating Supply Current	I _{CC}	\overline{CS} = V _{IL} , \overline{OE} = V _{IH} , f = 5MHz, V _{CC} = 5.5		720		720		720		720	mA
Standby Current	I _{SB}	\overline{CS} = V _{IH} , \overline{OE} = V _{IH} , f = 5MHz, V _{CC} = 5.5		120		120		90		90	mA
Output Low Voltage	V _{OL}	I _{OL} = 8mA, V _{CC} = 4.5		0.4		0.4		0.4		0.4	V
Output High Voltage	V _{OH}	I _{OH} = -4.0mA, V _{CC} = 4.5	2.4		2.4		2.4		2.4		V

NOTE: DC test conditions: V_{IH} = V_{CC} - 0.3V, V_{IL} = 0.3V

AC TEST CIRCUIT



AC TEST CONDITIONS

Parameter	Typ	Unit
Input Pulse Levels	V _{IL} = 0, V _{IH} = 3.0	V
Input Rise and Fall	5	ns
Input and Output Reference Level	1.5	V
Output Timing Reference Level	1.5	V

NOTES:

V_Z is programmable from -2V to +7V.
 I_{OL} & I_{OH} programmable from 0 to 16mA.
 Tester Impedance Z₀ = 75 Ω.
 V_Z is typically the midpoint of V_{OH} and V_{OL}.
 I_{OL} & I_{OH} are adjusted to simulate a typical resistive load circuit.
 ATE tester includes jig capacitance.



AC CHARACTERISTICS
(V_{CC} = 5.0V, T_A = -55°C To +125°C)

Parameter	Symbol	<u>-17</u>		<u>-20</u>		<u>-25</u>		<u>-35</u>		Units
		Min	Max	Min	Max	Min	Max	Min	Max	
Read Cycle										
Read Cycle Time	t _{RC}	17		20		25		35		ns
Address Access Time	t _{AA}		17		20		25		35	ns
Output Hold from Address Change	t _{OH}	0		0		0		0		ns
Chip Select Access Time	t _{ACS}		17		20		25		35	ns
Output Enable to Output Valid	t _{OE}		10		12		15		20	ns
Chip Select to Output in Low Z	t _{CLZ} ¹	3		3		3		3		ns
Output Enable to Output in Low Z	t _{OLZ} ¹	0		0		0		0		ns
Chip Disable to Output in High Z	t _{CHZ} ¹		10		12		12		20	ns
Output Disable to Output in High Z	t _{OHZ} ¹		10		12		12		20	ns

1. This parameter is guaranteed by design but not tested.

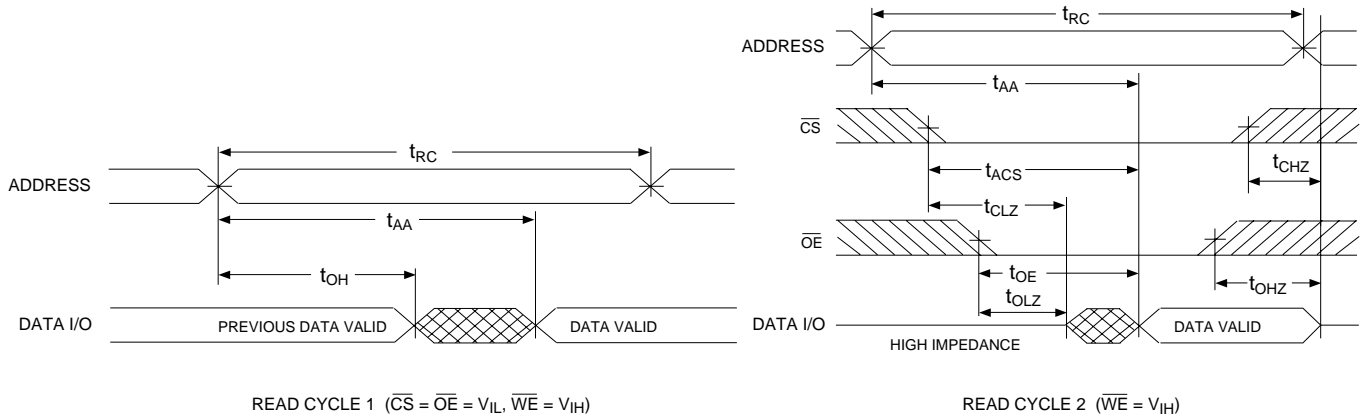
AC CHARACTERISTICS
(V_{CC} = 5.0V, T_A = -55°C To +125°C)

Parameter	Symbol	<u>-17</u>		<u>-20</u>		<u>-25</u>		<u>-35</u>		Units
		Min	Max	Min	Max	Min	Max	Min	Max	
Write Cycle										
Write Cycle Time	t _{WC}	17		20		25		35		ns
Chip Select to End of Write	t _{CW}	14		15		20		25		ns
Address Valid to End of Write	t _{AW}	15		15		20		25		ns
Data Valid to End of Write	t _{DW}	10		12		15		20		ns
Write Pulse Width	t _{WP}	14		15		20		25		ns
Address Setup Time	t _{AS}	0		0		0		0		ns
Address Hold Time	t _{AH}	0		0		0		0		ns
Output Active from End of Write	t _{OW} ¹	3		3		3		4		ns
Write Enable to Output in High Z	t _{WHZ} ¹		10		12		15		20	ns
Data Hold Time	t _{DH}	0		0		0		0		ns

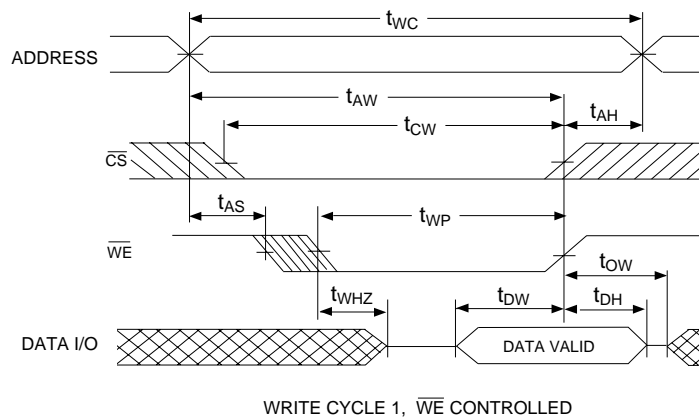
1. This parameter is guaranteed by design but not tested.



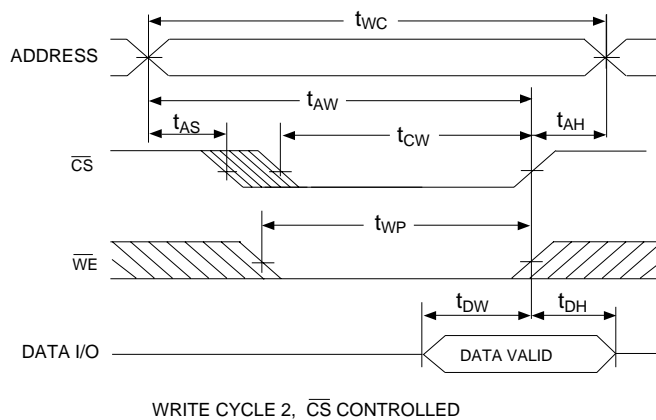
TIMING WAVEFORM - READ CYCLE



WRITE CYCLE - \overline{WE} CONTROLLED

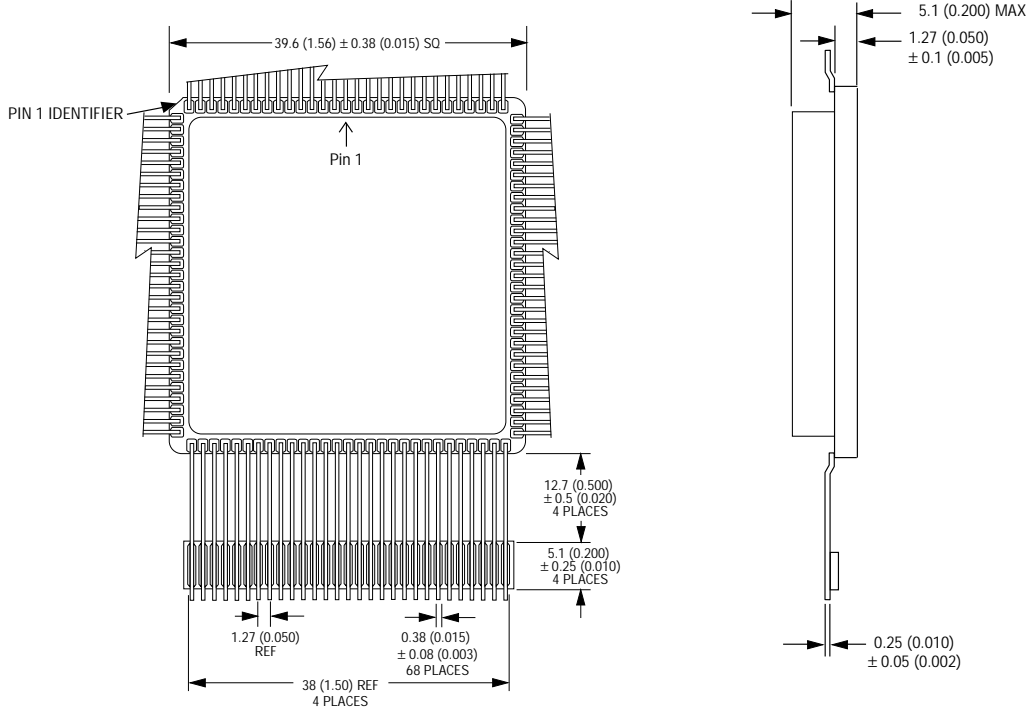


WRITE CYCLE - \overline{CS} CONTROLLED





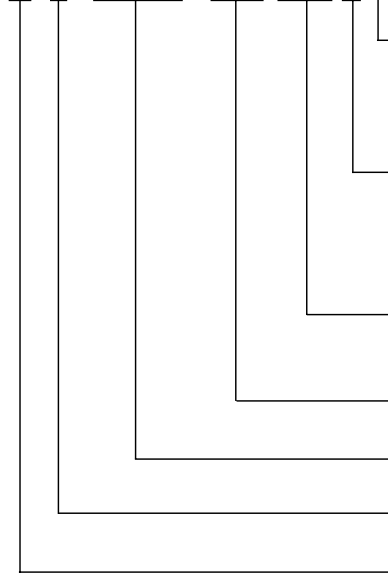
PACKAGE 504: 116 LEAD, CERAMIC QUAD FLAT PACK, CQFP (G4W)



ALL LINEAR DIMENSIONS ARE MILLIMETERS AND PARENTHETICALLY IN INCHES

ORDERING INFORMATION

W S 128K48 - XXX G4W X X



LEAD FINISH:

- Blank = Gold plated leads
- A = Solder dip leads

DEVICE GRADE:

- M = Military Screened -55°C to +125°C
- I = Industrial -40°C to +85°C
- C = Commercial 0°C to +70°C

PACKAGE TYPE:

G4W = 116 Lead 40mm Ceramic Quad Flat Pack, CQFP (Package 504)

ACCESS TIME (ns)

ORGANIZATION, 128K x 48

SRAM

WHITE MICROELECTRONICS