



# 1024Kx32 Static RAM CMOS, High Speed Module

## FEATURES

- 1024Kx32 bit CMOS Static RAM
  - Access Times: 15, 20, and 25ns
  - Individual Byte Selects
  - Fully Static, No Clocks
  - TTL Compatible I/O
- High Density Package
  - 72 Pin ZIP, No. 175
  - 72 lead SIMM, No. 176 (Angle)
  - 72 lead SIMM, No. 356 (Straight)
  - Common Data Inputs and Outputs
- Single +5V (±10%) Supply Operation

## DESCRIPTION

The EDI8F321024C is a high speed 32 megabit Static RAM module organized as 1024K words by 32 bits. This module is constructed from eight 1024Kx4 Static RAMs in SOJ packages on an epoxy laminate (FR4) board.

Four chip enables ( $\overline{E0}$ - $\overline{E3}$ ) are used to independently enable the four bytes. Reading or writing can be executed on individual bytes or any combination of multiple bytes through proper use of selects.

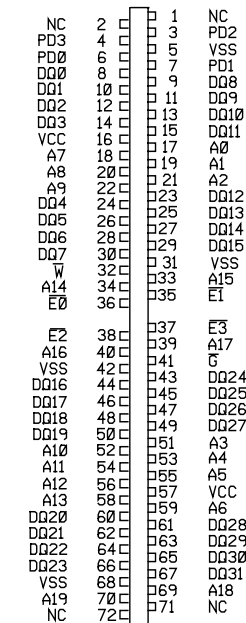
The EDI8F321024C is offered in 72 pin ZIP and 72 lead SIMM packages, which enable 32 megabits of memory to be placed in less than 1.3 square inches of board space.

All inputs and outputs are TTL compatible and operate from a single 5V supply. Fully asynchronous circuitry requires no clocks or refreshing for operation and provides equal access and cycle times for ease of use.

Pins PD1- PD4, are used to identify module memory density in applications where alternate modules can be interchanged.

**FIG. 1**

### PIN CONFIGURATIONS AND BLOCK DIAGRAM

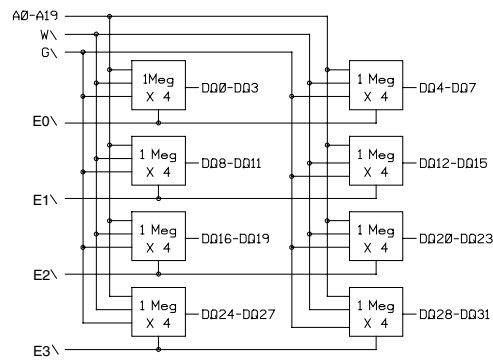


PD0 AND PD2 = GROUND  
PD1 AND PD3 = OPEN

BF321024C Pin Config.

### PIN NAMES

A0-A19	Address Inputs
$\overline{E0}$ - $\overline{E3}$	Chip Enables
W	Write Enable
$\overline{G}$	Output Enable
DQ0-DQ31	Common Data
	Input/Output
VCC	Power (+5V±10%)
VSS	Ground
NC	No Connection



BF321024C BR Dia.



**ABSOLUTE MAXIMUM RATINGS\***

Voltage on any pin relative to VSS	-0.5V to 7.0V
Operating Temperature TA (Ambient)	
Commercial	0°C to +70°C
Industrial	-40°C to +85°C
Storage Temperature, Plastic	-55°C to +125°C
Power Dissipation	7.0 Watts
Output Current	20 mA

\*Stress greater than those listed under "Absolute Maximum Ratings" may cause permanent damage to the device. This is a stress rating only and functional operation of the device at these or any other conditions greater than those indicated in the operational sections of this specification is not implied. Exposure to absolute maximum rating conditions for extended periods may affect reliability.

**RECOMMENDED DC OPERATING CONDITIONS**

Parameter	Sym	Min	Typ	Max	Units
Supply Voltage	VCC	4.5	5.0	5.5	V
Supply Voltage	VSS	0	0	0	V
Input High Voltage	VIH	2.2	--	6.0	V
Input Low Voltage	VIL	-0.3	--	0.8	V

**AC TEST CONDITIONS**

Input Pulse Levels	VSS to 3.0V
Input Rise and Fall Times	5ns
Input and Output Timing Levels	1.5V
Output Load	1TTL, CL = 30pF

(note: For TEHQZ,TGHQZ and TWLQZ, CL = 5pF)

**DC ELECTRICAL CHARACTERISTICS**

Parameter	Sym	Conditions	Min	Typ	Max	Units
Operating Power Supply Current	ICC1	$\overline{W}, \overline{E} = \text{VIL}, \text{II/O} = 0\text{mA}, \text{Min Cycle}$			1280	mA
Standby (TTL) Power Supply Current	ICC2	$\overline{E} \geq \text{VIH}, \text{VIN} \leq \text{VIL} \text{ or } \text{VIN} \geq \text{VIH}$			480	mA
Full Standby Power Supply Current CMOS	ICC3	$\overline{E} \geq \text{VCC}-0.2\text{V}$ $\text{VIN} \geq \text{VCC}-0.2\text{V} \text{ or } \text{VIN} \leq 0.2\text{V}$			80	mA
Input Leakage Current	ILI	$\text{VIN} = 0\text{V to VCC}$	--	--	$\pm 80$	$\mu\text{A}$
Output Leakage Current	ILO	$\text{V I/O} = 0\text{V to VCC}$	--	--	$\pm 20$	$\mu\text{A}$
Output High Voltage	VOH	$\text{IOH} = -4.0\text{mA}$	2.4	--	--	V
Output Low Voltage	VOL	$\text{IOL} = 8.0\text{mA}$	--	--	0.4	V

\*Typical: TA = 25°C, VCC = 5.0V

**TRUTH TABLE**

$\overline{E}$	$\overline{W}$	$\overline{G}$	Mode	Output	Power
H	X	X	Standby	HIGH Z	ICC2/ICC3
L	H	L	Read	DOUT	ICC1
L	L	X	Write	DIN	ICC1
L	H	H	Output Deselect	HIGH Z	ICC1

**CAPACITANCE**

(f=1.0MHz, VIN=VCC or VSS)

Parameter	Sym	Max	Unit
Address Lines	CI	60	pF
Data Lines	CD/Q	20	pF
Chip Enable Line	CC	20	pF
Write Line	CN	60	pF

These parameters are sampled, not 100% tested.



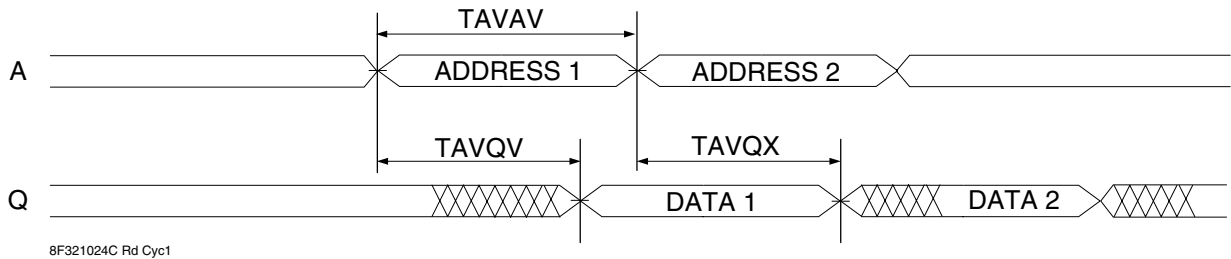
**AC CHARACTERISTICS READ CYCLE**

Parameter	Symbol		15ns		20ns		25ns		Units
	JEDEC	Alt.	Min	Max	Min	Max	Min	Max	
Read Cycle Time	TAVAV	TRC	15		20		25		ns
Address Access Time	TAVQV	TAA		15		20		25	ns
Chip Enable Access	TELQV	TACS		15		20		25	ns
Chip Enable to Output in Low Z (1)	TELQX	TCLZ	3		3		3		ns
Chip Disable to Output in High Z (1)	TEHQZ	TCHZ		7		10		12	ns
Output Hold from Address Change	TAVQX	TOH	3		3		3		ns
Output Enable to Output Valid	TGLQV	TOE		7		8		10	ns
Output Enable to Output in Low Z (1)	TGLQX	TOLZ	0		0		0		ns
Output Disable to Output in High Z(1)	TGHQZ	TOHZ		7		8		10	ns

Note 1: Parameter guaranteed, but not tested.

**FIG. 2**

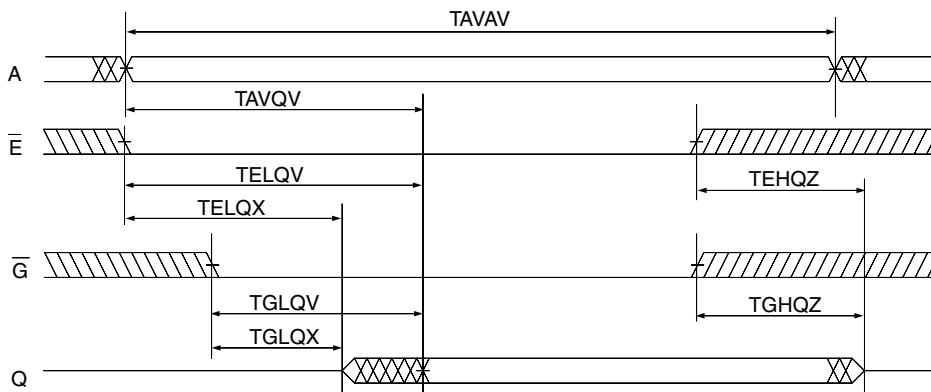
**READ CYCLE 1 -  $\bar{W}$  HIGH,  $\bar{G}$ ,  $\bar{E}$  LOW**



8F321024C Rd Cyc1

**FIG. 3**

**READ CYCLE 2 -  $\bar{W}$  HIGH**



8F321024C Rd Cyc2



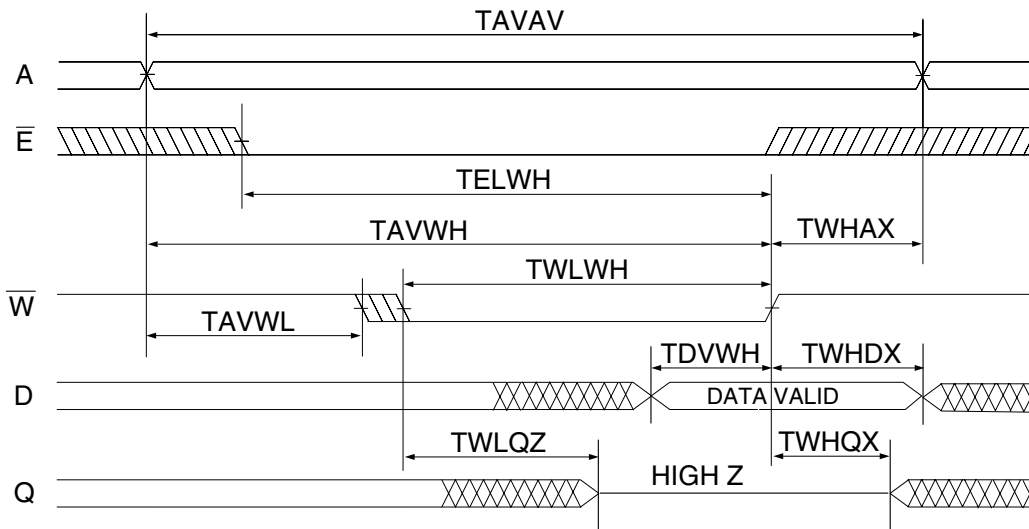
AC CHARACTERISTICS WRITE CYCLE

Parameter	Symbol		15ns		20ns		25ns		Units
	JEDEC	Alt.	Min	Max	Min	Max	Min	Max	
Write Cycle Time	TAVAV	TWC	15		20		25		ns
Chip Enable to End of Write	TELWH	TCW	10		15		20		ns
	TWLEH	TCW	10		15		20		ns
Address Setup Time	TAVWL	TAS	0		0		0		ns
	TAVEL	TAS	0		0		0		ns
Address Valid to End of Write	TAVWH	TAW	10		15		20		ns
	TAVEH	TAW	10		15		20		ns
Write Pulse Width	TWLWH	TWP	12		15		20		ns
	TELEH	TWP	12		15		20		ns
Write Recovery Time	TWHAX	TWR	0		0		0		ns
	TEHAX	TWR	0		0		0		ns
Data Hold Time	TWHDX	TDH	3		3		0		ns
	TEHDX	TDH	3		3		0		ns
Write to Output in High Z (1)	TWLQZ	TWHZ	0	7	0	8	0	12	ns
Data to Write Time	TDVWH	TDW	7		12		15		ns
	TDVEH	TDW	7		12		15		ns
Output Active from End of Write (1)	TWHQX	TWLZ	3		3		3		ns

Note 1: Parameter guaranteed, but not tested.

FIG. 4

WRITE CYCLE 1 -  $\bar{W}$  CONTROLLED

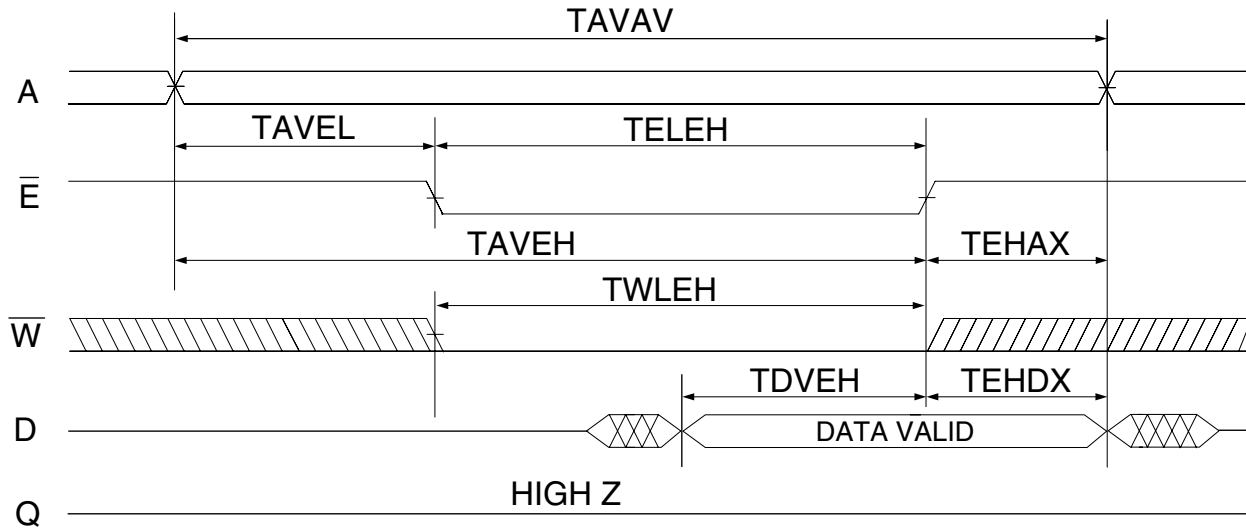


8F321024C Write Cyc1



FIG. 5

WRITE CYCLE 2 -  $\bar{E}$  CONTROLLED



8F321024C Write Cyc2



**ORDERING INFORMATION**

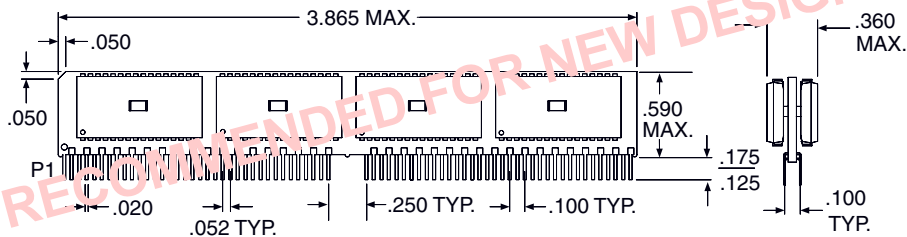
Part Number	Speed (ns)	Package No.
EDI8F321024C15MNC	15	176
EDI8F321024C20MNC	20	176
EDI8F321024C25MNC	25	176

Note: To order gold SIMM option, change "EDIF" to "EDIG".

Part Number	Speed (ns)	Package No.
EDI8F321024C15MZC	15	175
EDI8F321024C20MZC	20	175
EDI8F321024C25MZC	25	175
EDI8F321024C15MMC	15	356
EDI8F321024C20MMC	20	356
EDI8F321024C25MMC	25	356

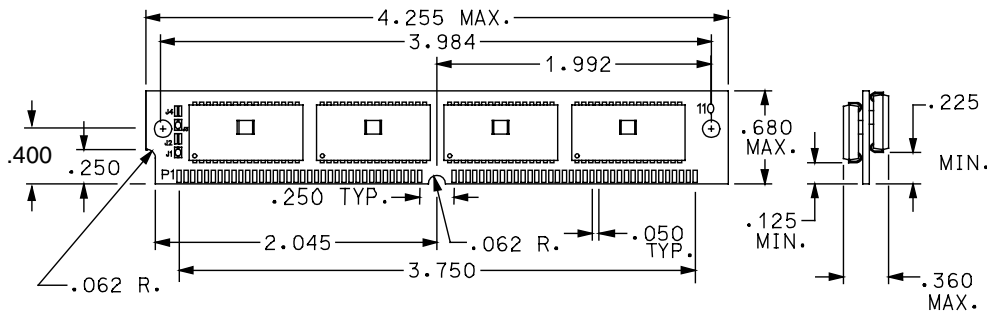
**PACKAGE DESCRIPTIONS**

**PACKAGE NO.175: 72 PIN ZIP**



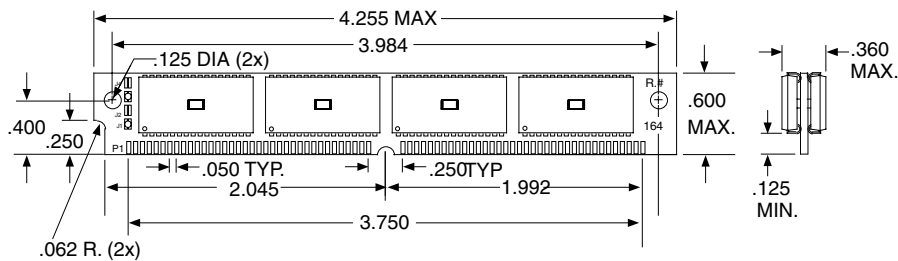
175-8F321024C Pkg.

**PACKAGE NO. 176: 72 LEAD ANGLED SIMM**



176-8F321024C Pkg.

**PACKAGE NO. 356: 72 PIN SIMM**



356-8F321024C Pkg.

DIMENSIONS ARE IN INCHES