



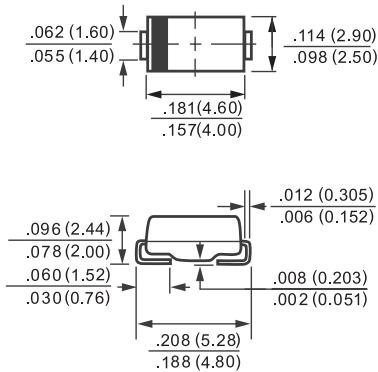
**VOLTAGE RANGE 50 to 1000 Volts CURRENT 1.0 Ampere**

**MECHANICAL DATA**

- \* Case: Molded plastic
- \* Epoxy: UL 94V-0 rate flame retardant
- \* Terminals: Solder plated, solderable per MIL-STD-750, Method 2026
- \* Polarity: As marked
- \* Mounting position: Any
- \* Weight: 0.064 gram

**FEATURES**

- \* Ideal for surface mounted applications
- \* Low leakage current
- \* Glass passivated junction



SMA(DO-214AC)



Dimensions in inches and (millimeters)

**MAXIMUM RATINGS AND ELECTRICAL CHARACTERISTICS**

Ratings at 25 °C ambient temperature unless otherwise specified. Single phase, half wave, 60 Hz, resistive or inductive load. For capacitive load, derate current by 20%.

PARAMETER	SYMBOL	SMA4001	SMA4002	SMA4003	SMA4004	SMA4005	SMA4006	SMA4007	UNITS
		GS1A/M1	GS1B/M2	GS1D/M3	GS1G/M4	GS1J/M5	GS1K/M6	GS1M/M7	
Maximum Recurrent Peak Reverse Voltage	$V_{RRM}$	50	100	200	400	600	800	1000	Volts
Maximum RMS Bridge Input Voltage	$V_{RMS}$	35	70	140	280	420	560	700	Volts
Maximum DC Blocking Voltage	$V_{DC}$	50	100	200	400	600	800	1000	Volts
Maximum Average Forward Rectified Current at $T_A = 75^\circ C$	$I_O$	1.0							Amps
Peak Forward Surge Current: 8.3 ms single half sine-wave Superimposed on rated load (JEDEC Method)	$I_{FSM}$	30							Amps
Maximum Forward Voltage at 1.0A DC	$V_F$	1.1							Volts
Maximum DC Reverse Current at Rated DC Blocking Voltage	$I_R$	@ $T_A = 25^\circ C$							uAmps
		@ $T_A = 125^\circ C$							
Maximum Reverse Recovery Time (Note 1)	$t_{rr}$	2.5							uSec
Typical Junction Capacitance ( Note 2 )	$C_J$	30							pF
Typical Thermal Resistance ( Note 3 )	$R \theta_{JL}$	15							$^\circ C/W$
Operating and Storage Temperature Range	$T_J, T_{STG}$	-65 to +175							$^\circ C$

- Notes: 1. Test Conditions:  $I_F=0.5A, I_R=1.0A, I_{RR}=0.25A$   
 2. Thermal Resistance from Junction to Ambient, .24"²(6.0mm²) copper pads to each Terminal.  
 3. Measured at 1.0MHz and applied reverse voltage of 4.0V<sub>DC</sub>



## RATING AND CHARACTERISTIC CURVES

FIG. 1 - TYPICAL FORWARD CURRENT DERATING CURVE

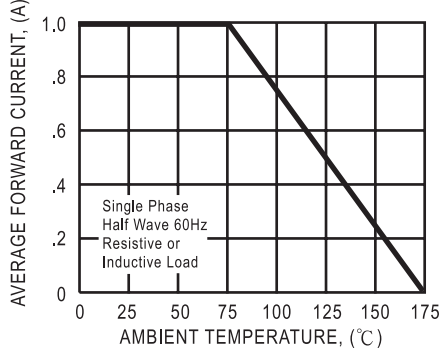


FIG. 2 - MAXIMUM NON-REPETITIVE FORWARD SURGE CURRENT

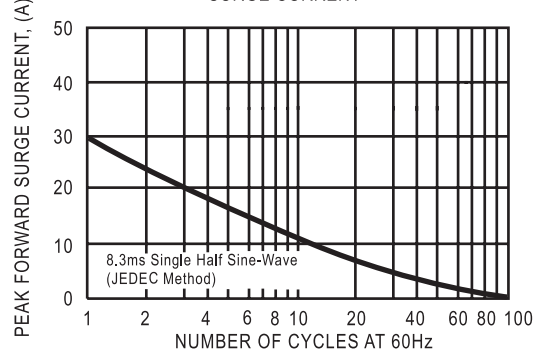


FIG. 3 - TYPICAL INSTANTANEOUS FORWARD CHARACTERISTICS

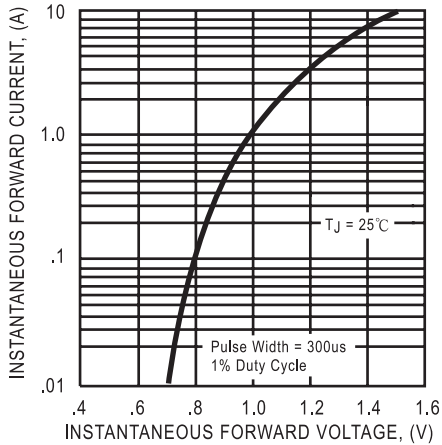


FIG. 4 - TYPICAL REVERSE CHARACTERISTICS

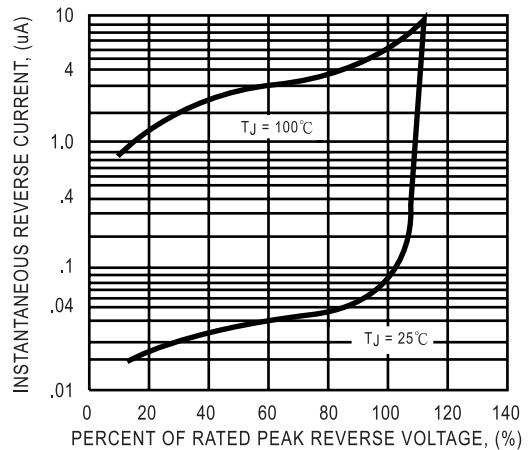


FIG. 5 - TYPICAL JUNCTION CAPACITANCE

