



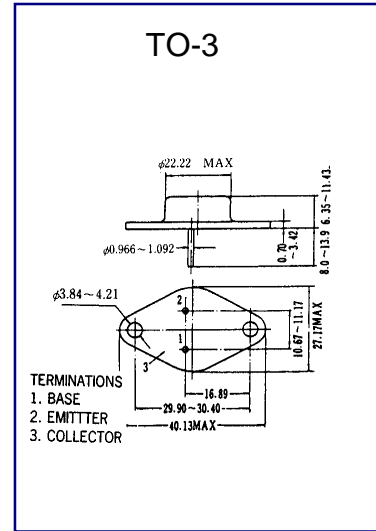
**MJ11019**

**PNP SILICON DARLINGTON TRANSISTOR**

**SWITCHING REGULATORS PWM INVERTERS  
SOLENOID AND RELAY DRIVERS**

**ABSOLUTE MAXIMUM RATINGS (Ta=25°C)**

Characteristic	Symbol	Rating	Unit
Collector-Base Voltage	VCBO	-200	V
Collector-Emitter Voltage	VCEO	-200	V
Collector Current (DC)	IC	-15	A
Collector Dissipation (Tc=25°C)	PC	175	W
Junction Temperature	Tj	200	°C
Storage Temperature	Tstg	-50~150	°C



**ELECTRICAL CHARACTERISTICS (Ta=25°C)**

Characteristic	Symbol	Test Condition	Min	Typ	Max	Unit
Collector Cutoff Current	ICBO	VCB= -200V , IE=0			10	μA
Collector Cutoff Current	ICEO	VCB=-200V , IB=0			10	μA
DC Current Gain	hFE	VCE=-5V , IC=-10A	400		15K	
Collector- Emitter Saturation Voltage	VCE(sat)	IC=-6A , IB=-0.01A			-1.5	V