



TIP36C

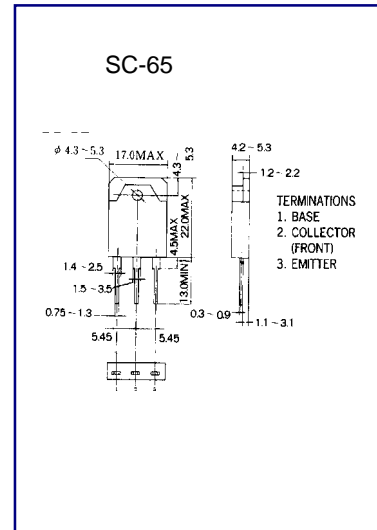
PNP PLANAR SILICON TRANSISTOR

**AUDIO POWER AMPLIFIER
DC TO DC CONVERTER**

- High Current Capability
- High Power Dissipation
- Complementary to TIP35C

ABSOLUTE MAXIMUM RATING (Ta=25°C)

Characteristic	Symbol	Rating	Unit
Collector-Base Voltage	VCBO	-100	V
Collector-Emitter Voltage	VCEO	-100	V
Emitter-Base voltage	VEBO	-6	V
Collector Current (DC)	IC	-15	A
Collector Dissipation	PC	125	W
Junction Temperature	Tj	150	°C
Storage Temperature	Tstg	-55~150	°C



ELECTRICAL CHARACTERISTICS (Ta=25°C)

Characteristic	Symbol	Test Condition	Min	Typ	Max	Unit
Collector Base Breakdown Voltage	BVCBO	IC=-5 mA IE=0	-100			V
Collector Emitter Breakdown Voltage	BVCEO	IC=-10 mA RBE=∞	-100			V
Emitter Base Breakdown Voltage	BVEBO	IE=-5mA IC=0	-6			V
Collector Cutoff Current	ICBO	VCB=-50V IE=0			0.1	mA
Emitter Cutoff Current	IEBO	VEB=-4V IC=0			0.1	mA
*DC Current Gain	hFE1	VCE=-5V IC=-1A	55		150	
DC Current Gain	hFE2	VCE=-5V IC=-5A	20			
Collector- Emitter Saturation Voltage	VCE(sat)	IC=-5A IB=-0.5A			-1.0	V