

Repeaters



R1930C 4 Watt PCS CDMA Repeater

Holes in your PCS network can result in dropped calls, frustrated subscribers, and lost revenue. Solve your network coverage problems quickly and easily with WJ Communications R1930C PCS repeater. The "over the air" CDMA repeater extends base station coverage to shadow areas caused by hills, large buildings, and other structures that can obstruct PCS signals. WJ repeaters can also be used as an efficient and low cost alternative to base stations in areas where PCS coverage is more critical than additional capacity. The R1930C has comparable output power of base stations, but at a fraction of the cost.

- *Low Cost Base Station Alternative*
- *Extends PCS Coverage*
- *High Output Power*
- *Easy Installation*
- *Low Cost*

WJ R1930C repeaters are channel selective, so they only amplify and extend coverage of your PCS frequencies. Small and easy to install, the R1930C repeater is designed for one person installation. The Windows™ compatible software and remote interface allows control of the frequency channel and gain. The unit is housed in a rugged and weather resilient NEMA4 enclosure.

The Communications Edge™



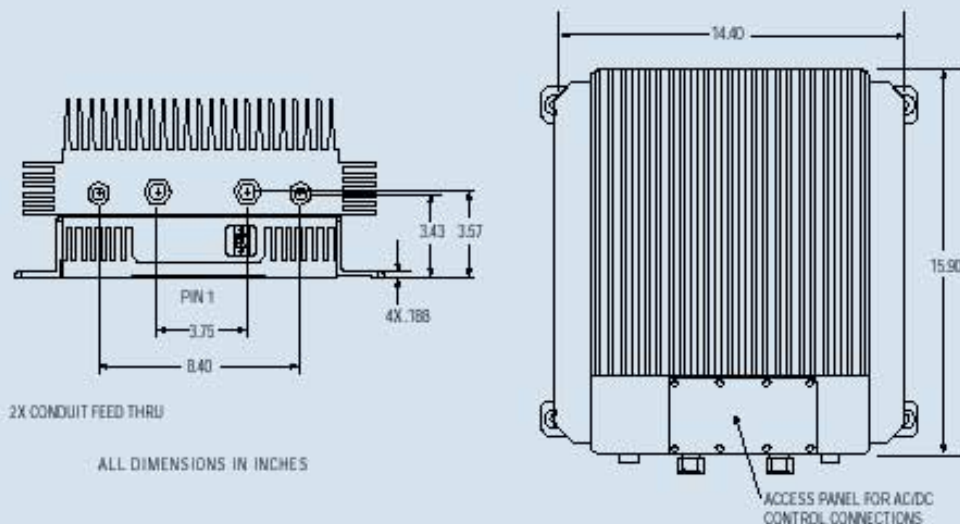
WJ WIRELESS COMMUNICATIONS PRODUCTS
1-800-WJ1-4401 • FAX: 408-577-6620 • e-mail: wireless.info@wj.com

Repeaters

R1930C 4 Watt PCS CDMA Repeater

Specifications	
Frequency Range	Models Available to Cover Bands A, B, C, D, E, F
Output Power	4 Watts CDMA
Filter Bandwidth	1.25 MHz (Contact factory for other bandwidths)
Noise Figure	4 dB Typical @ max gain, 6 dB Typical @ min gain
Gain Range	65 dB to 95 dB
Gain Steps	2 dB
Carriers	Single and Multiple
Signal Delay	5 μ sec.
RF Connectors	Type N
Power supply	110/220 VAC 50/60 Hz or +24 VDC Battery backup available
Alarms & Status	Synthesizers, Amplifiers, Power Amplifiers, Power Supply, Temperature, Gain, Output power
Interface	RS-232 and modem
Control	Gain, Channel frequency
Cooling	Convection
Temperature	Operating: -40 to +50 C Storage: -40 to +85 C
Weight	45 lbs
Weather Resistance	NEMA 4 rated, IP65

OUTLINE DRAWING



The Communications Edge™

WJ Communications • 401 River Oaks Parkway • San Jose, CA 95134

