

Repeaters



R820

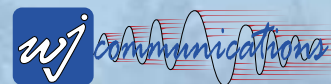
4 Watt Cellular Repeater CDMA, TDMA, AMPS

Holes in your digital cellular network can result in dropped calls, frustrated subscribers, and lost revenue. Solve your network coverage problems quickly and easily with WJ Communications' R820 cellular repeater. The "over the air" repeater extends base station coverage to shadow areas caused by hills, large buildings, and other structures that can obstruct cellular signals. WJ repeaters can also be used as an efficient and low cost alternative to base stations in areas where coverage is more critical than additional capacity. The R820 has a multi-carrier high power output at a fraction of the cost of a base station.

- *Low Cost Base Station Alternative*
- *Extends Cellular Coverage*
- *High Output Power*
- *Easy Installation*
- *Low Cost*

WJ R820 repeaters are band selective, so they only amplify and extend coverage of your frequencies. Small and easy to install, the R820 repeater is designed for one person installation. The Windows™ compatible software and remote interface allows control of the gain and monitoring of the alarms. The unit is housed in a rugged and weather resilient NEMA4 enclosure.

The Communications Edge™



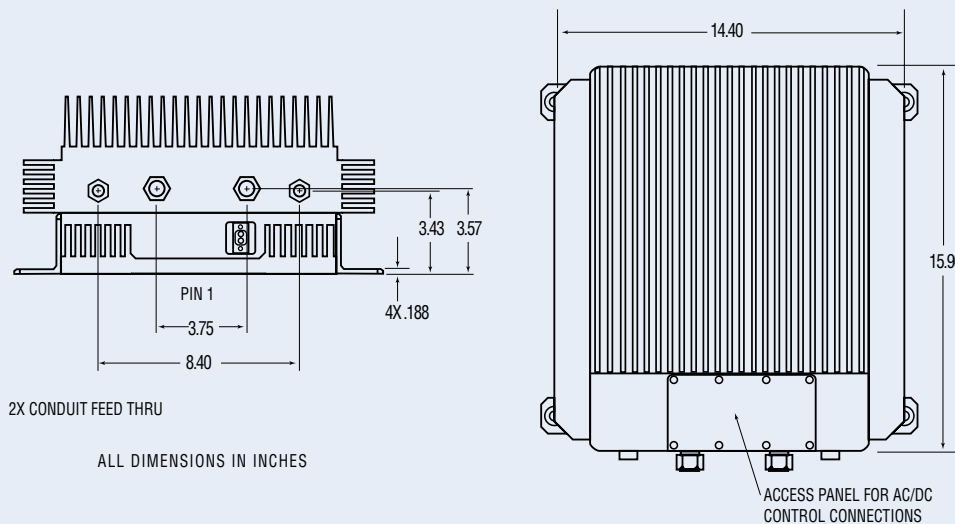
1-800-WJ1-4401 • FAX: 408-577-6620 • e-mail: sales@wj.com

Repeaters

R820 4 Watt Cellular Repeater CDMA, TDMA, AMPS

Specifications	
Frequency Range	Amps band A or B
Output Power	4 Watts
Noise Figure	5 dB Typical @ max gain, 6 dB Typical @ min gain
Gain Range	55 dB to 85 dB
Gain Steps	2 dB
Signal Delay	5 μ sec.
RF Connectors	Type N
Power supply	110/220 VAC 50/60 Hz or +24 VDC Battery backup available
Alarms & Status	Synthesizers, Amplifiers, Power Amplifiers, Power Supply, Temperature, Gain, Output power
Interface	RS-232 and modem
Control	Gain
Cooling	Convection
Temperature	Operating: -40 to +50 C Storage: -40 to +85 C
Weight	55 lbs
Weather Resistance	NEMA 4 rated, IP65

OUTLINE DRAWING



The Communications Edge™