

UNII RF Heads

**Point-to-Multipoint Transceivers
Head End and Subscriber Unit**



SX1126

*Subscriber Unit RF Head
5.8 GHz UNII RF Outdoor Unit*

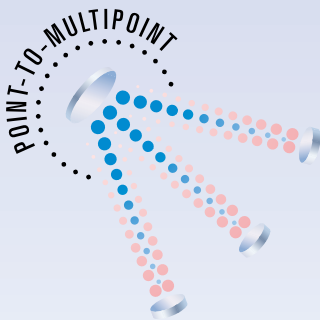
- +14 dBm Max Power Output/
+37 dB EIRP
- Multiple Mounting Configurations
- Integrated Antenna



SX1127

*Head End Unit RF Head
5.8 GHz UNII RF Outdoor Unit*

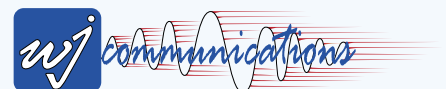
- +15 dBm Max Power Output
- Pole or Wall Mount



- *Compatible with Cisco Systems 2600/3600 Series Routers for SX1126, and uBR7200 Series Universal Broadband Routers for SX1127*
- *Managed Using Cisco IOS Software*
- *Standardized N-type Connectors*
- *BWIF Compliant*
- *FCC Compliant*
- *Easy Installation*



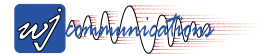
The Communications Edge™



UNII RF Heads

Point-to-Multipoint Transceivers
Head End and Subscriber Unit

www.wj.com



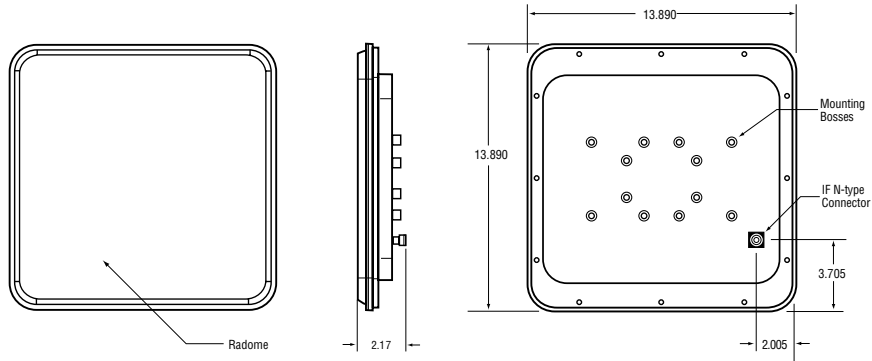
Specifications

Parameter	SX1126-1	SX1126-2	SX1127-1	SX1127-2
Description	UNII, SU, Band A	UNII, SU, Band B	UNII, HE, Band A	UNII, HE, Band B
RF Frequency				
Upstream, MHz (SU Tx, HE Rx)	5727-5751	5751-5775	5727-5751	5751-5775
Downstream, MHz (SU Rx, HE Tx)	5775-5799	5799-5823	5775-5799	5799-5823
Tx RF Output				
Power Output, max., Typical				
1.5 MHz BW, dBm		+14 ± 2		+15 ± 2
3.0 MHz BW, dBm		+14 ± 2		+15 ± 2
6.0 MHz BW, dBm.		+14 ± 2		+15 ± 2
Step Attenuator				
Range, dB min.		0 to 47		0 to 20
Step size, dB		1		1
Flatness (any 6 MHz), dB (pk to pk) max.		1.0		1.0
VSWR, max. (50 Ohm ref.)		-		1.7:1
Tx IF Input				
Frequency, MHz		330±3		330±3
Power, dBm		-17 to -5		-17 to -5
Cable Compensation Attenuator				
Range, dB min.		12		12
VSWR, max.		1.5:1		1.5:1
Tx/Rx Synthesizers				
Step Size (tunes over full operating band), MHz		3.0		3.0
Reference Frequency, MHz		24		24
Rx RF Input				
Noise Figure (25°C), dB max.		5.0		5.0
Input Power, dBm max. survival		+10		+10
Input Power, dBm operational		-20		-50
Flatness, dB (pk to pk), max. (any 6 MHz)		1.0		1.0
VSWR, max.		-		2.0:1
Gain, dB		32		33
Gain Control Attenuator				
Range, dB min.		25		-
Gain Control Step, dB		0 to 25, 1 dB step		-
Rx IF Output				
Frequency, MHz		426±3		426±3
VSWR, max.		1.5:1		1.5:1
DC Input Power				
Voltage, V		18 to 30, 24 nominal		-36 to -60, -48 nominal
Current, A, max.		1.5		1.0
DC Power, W, Max		40		50
Serial Communications Channel (Modem)				
Center Frequency, KHz		750		750
Bandwidth, KHz		300		300
Input Level, dBm, min		-3		-3
Transmitter Blanking Signal				
Center Frequency, MHz		48		48
Input Level, -on, dBm		0 to -10		0 to -10
Input Level, -off, dBm		-10 to -36		-10 to -36
Miscellaneous				
Temperature Indicator, °C		-40 to +100		-40 to +100
PLL Lock Detect		Provided		Provided
Operating Temperature Range, °C		-40 to +60		-40 to +60
Storage Temperature Range, °C		-40 to +85		-40 to +85
EMI Compliance		FCC Part 15, Class B CSA C108.8, 1993 (Class B)		FCC Part 15, Class B CSA C108.8, 1993 (Class B)
Type Certification		FCC Part 15 Canada CANRSS210		FCC Part 15 Canada CANRSS210
Safety		CUL/CSA, US/Canada		CUL/CSA, US/Canada
Enclosure		Type 4		Type 4
Connectors		N-type (IF)		N-type (RF, IF)

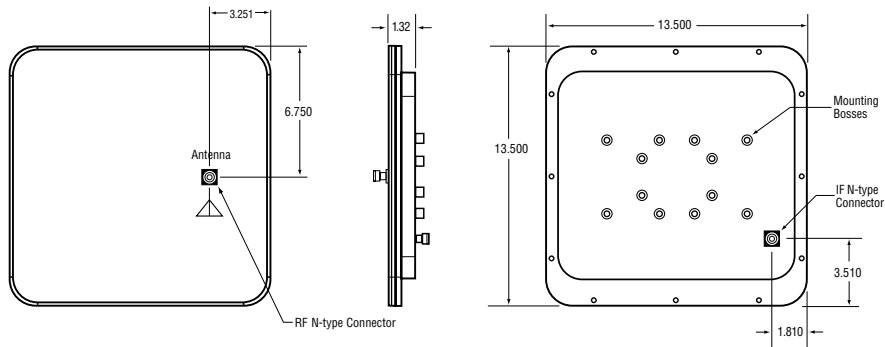
UNII Point-to-Multipoint Mechanical Configuration

WJ COMMUNICATIONS

SX1126-1, SX1126-2 (Integral Antenna)

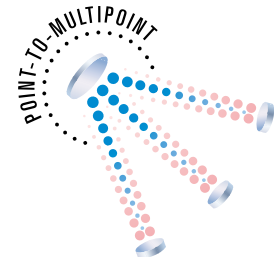


SX1127-1, SX1127-2 (N-type Connectors, Antenna not included)



Weight Information

SX1126 Series	12 lbs.
SX1127 Series	11 lbs.



UNII Point-to-Multipoint RF Outdoor Units (ODU)

Ordering Information	
WJ Model No.	Description
SX1126-1	UNII, P2MP SU, Band A
SX1126-2	UNII, P2MP SU, Band B
SX1127-1	UNII, P2MP HE, Band A
SX1127-2	UNII, P2MP HE, Band B
Antenna Information	
Antenna	SX1126-1, SX1126-2
Gain, dBi	22.5±0.8
Side Lobe Suppression, dB, min.	28
Beamwidth (3 dB), degrees	9.5±1.0

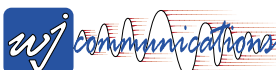
Notes: 1. Each unit includes an integral duplexer and mounting kit, and installation instructions.

- MK1002 - *mounting kit for subscriber units: SX1126-1, SX1126-2.*
Mounts to walls or mounts to pole diameters up to 2-3/8 inch.
- MK1005 - *mounting and hail shield kit for head end units: SX1127-1, SX1127-2.*
Mounts to walls or mounts to pole diameters of 2-3/8 to 4-1/2 inch.

Specifications and information are subject to change without notice.



The Communications Edge™



WJ COMMUNICATIONS, INC. • 401 River Oaks Parkway • San Jose, CA 95134-1916 • www.wj.com