

Features

- 5 ns pin-to-pin logic delays
- System frequency up to 178 MHz
- 144 macrocells with 3,200 usable gates
- Available in small footprint packages
 - 100-pin TQFP (81 user I/O pins)
 - 144-pin TQFP (117 user I/O pins)
 - 144-pin CSP (117 user I/O pins)
- Optimized for high-performance 3.3 V systems
 - Low power operation
 - 5 V tolerant I/O pins accept 5 V, 3.3 V, and 2.5 V signals
 - 3.3 V or 2.5 V output capability
 - Advanced 0.35 micron feature size CMOS FastFLASH™ technology
- Advanced system features
 - In-system programmable
 - Superior pin-locking and routability with FastCONNECT II™ switch matrix
 - Extra wide 54-input Function Blocks
 - Up to 90 product-terms per macrocell with individual product-term allocation
 - Local clock inversion with 3 global and one product-term clocks
 - Individual output enable per output pin with local inversion
 - Input hysteresis on all user and boundary-scan pin inputs
 - Bus-hold circuitry on all user pin inputs
 - Full IEEE Standard 1149.1 boundary-scan (JTAG)
- Fast concurrent programming
- Slew rate control on individual outputs
- Enhanced data security features
- Excellent quality and reliability
 - Endurance exceeding 10,000 program/erase cycles
 - 20 year data retention
 - ESD protection exceeding 2,000 V
- Pin-compatible with 5 V-core XC95144 device in the 100-pin TQFP package

Description

The XC95144XL is a 3.3 V CPLD targeted for high-performance, low-voltage applications in leading-edge communications and computing systems. It is comprised of eight 54V18 Function Blocks, providing 3,200 usable gates with propagation delays of 5 ns. See Figure 2 for architecture overview.

Power Estimation

Power dissipation in CPLDs can vary substantially depending on the system frequency, design application, and output loading. To help reduce power dissipation, each macrocell in a XC9500XL device may be configured for low-power mode (from the default high-performance mode). In addition, unused product-terms and macrocells are automatically deactivated by the software to further conserve power.

For a general estimate of I_{CC} , the following equation may be used:

$$I_{CC} \text{ (mA)} = MC_{HP}(0.5) + MC_{LP}(0.3) + MC(0.0045 \text{ mA/MHz}) f$$

Where:

MC_{HP} = Macrocells in high-performance (default) mode

MC_{LP} = Macrocells in low-power mode

MC = Total number of macrocells used

f = Clock frequency (MHz)

This calculation is based on typical operating conditions using a pattern of 16-bit up/down counters in each Function Block with no output loading. The actual I_{CC} value varies with the design application and should be verified during normal system operation.

Figure 1 shows the above estimation in graphical form.

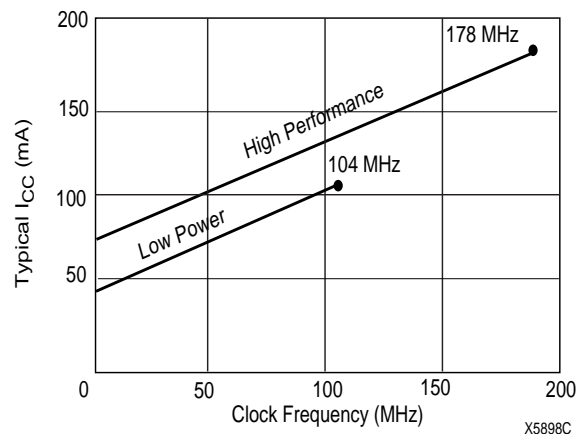


Figure 1: Typical I_{CC} vs. Frequency for XC95144XL

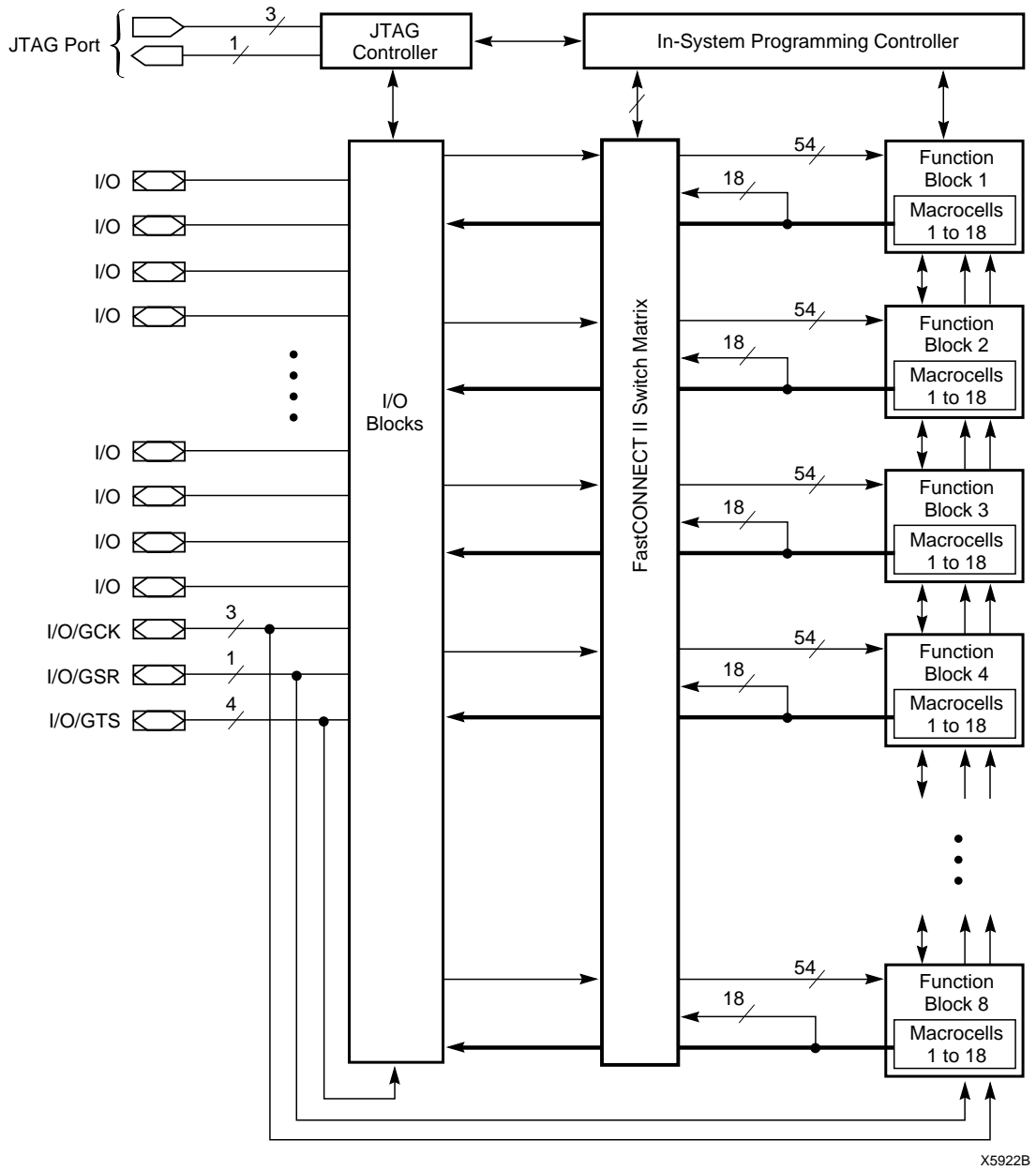


Figure 2: XC95144XL Architecture

Function Block outputs (indicated by the bold line) drive the I/O Blocks directly.

Absolute Maximum Ratings

Symbol	Description	Value	Units
V_{CC}	Supply voltage relative to GND	-0.5 to 4.0	V
V_{IN}	Input voltage relative to GND (Note 1)	-0.5 to 5.5	V
V_{TS}	Voltage applied to 3-state output (Note 1)	-0.5 to 5.5	V
T_{STG}	Storage temperature (ambient)	-65 to +150	°C
T_{SOL}	Maximum soldering temperature (10s @ 1/16 in. = 1.5 mm)	+260	°C
T_J	Junction temperature	+150	°C

Note 1: Maximum DC undershoot below GND must be limited to either 0.5 V or 10 mA, whichever is easier to achieve. During transitions, the device pins may undershoot to -2.0 V or overshoot to +7.0 V, provided this over- or undershoot lasts less than 10 ns and with the forcing current being limited to 200 mA.

Note 2: Stresses beyond those listed under Absolute Maximum Ratings may cause permanent damage to the device. These are stress ratings only, and functional operation of the device at these or any other conditions beyond those listed under Operating Conditions is not implied. Exposure to Absolute Maximum Ratings conditions for extended periods of time may affect device reliability.

Recommended Operation Conditions

Symbol	Parameter	Min	Max	Units	
V_{CCINT}	Supply voltage for internal logic and input buffers	Commercial $T_A = 0^{\circ}\text{C}$ to 70°C	3.0	3.6	V
		Industrial $T_A = -40^{\circ}\text{C}$ to $+85^{\circ}\text{C}$	3.0	3.6	V
V_{CCIO}	Supply voltage for output drivers for 3.3 V operation	3.0	3.6	V	
	Supply voltage for output drivers for 2.5 V operation	2.3	2.7	V	
V_{IL}	Low-level input voltage	0	0.80	V	
V_{IH}	High-level input voltage	2.0	5.5	V	
V_O	Output voltage	0	V_{CCIO}	V	

Quality and Reliability Characteristics

Symbol	Parameter	Min	Max	Units
t_{DR}	Data Retention	20	-	Years
N_{PE}	Program/Erase Cycles (Endurance)	10,000	-	Cycles
V_{ESD}	Electrostatic Discharge (ESD)	2,000	-	Volts

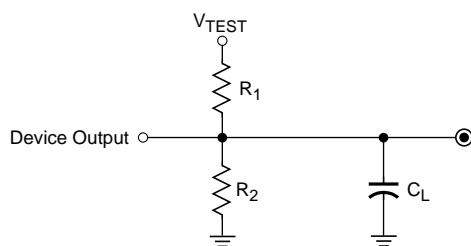
DC Characteristics Over Recommended Operating Conditions

Symbol	Parameter	Test Conditions	Min	Max	Units
V_{OH}	Output high voltage for 3.3 V outputs	$I_{OH} = -4.0$ mA	2.4		V
	Output high voltage for 2.5 V outputs	$I_{OH} = -500$ μA	$90\% V_{CCIO}$		V
V_{OL}	Output low voltage for 3.3 V outputs	$I_{OL} = 8.0$ mA		0.4	V
	Output low voltage for 2.5 V outputs	$I_{OL} = 500$ μA		0.4	V
I_{IL}	Input leakage current	$V_{CC} = \text{Max}$ $V_{IN} = \text{GND or } V_{CC}$		± 10.0	μA
I_{IH}	I/O high-Z leakage current	$V_{CC} = \text{Max}$ $V_{IN} = \text{GND or } V_{CC}$		± 10.0	μA
C_{IN}	I/O capacitance	$V_{IN} = \text{GND}$ $f = 1.0$ MHz		10.0	pF
I_{CC}	Operating Supply Current (low power mode, active)	$V_I = \text{GND}$, No load $f = 1.0$ MHz		45	ma

AC Characteristics

Symbol	Parameter	XC95144XL-5		XC95144XL-7		XC95144XL-10		Units
		Min ¹	Max ¹	Min	Max	Min	Max	
t _{PD}	I/O to output valid		5.0		7.5		10.0	ns
t _{SU}	I/O setup time before GCK	3.7		4.8		6.5		ns
t _H	I/O hold time after GCK	0.0		0.0		0.0		ns
t _{CO}	GCK to output valid		3.5		4.5		5.8	ns
f _{SYSTEM}	Multiple FB internal operating frequency		178.6		125.0		100.0	MHz
t _{PSU}	I/O setup time before p-term clock input	1.7		1.6		2.1		ns
t _{PH}	I/O hold time after p-term clock input	2.0		3.2		4.4		ns
t _{PCO}	P-term clock output valid		5.5		7.7		10.2	ns
t _{OE}	GTS to output valid		4.0		5.0		7.0	ns
t _{OD}	GTS to output disable		4.0		5.0		7.0	ns
t _{POE}	Product term OE to output enabled		7.0		9.5		11.0	ns
t _{POD}	Product term OE to output disabled		7.0		9.5		11.0	ns
t _{AO}	GSR to output valid		10.0		12.0		14.5	ns
t _{PAO}	P-term S/R to output valid		10.5		12.6		15.3	ns
t _{WLH}	GCK pulse width (High or Low)	2.8		4.0		4.5		ns
t _{PLH}	P-term clock pulse width (High or Low)	5.0		6.5		7.0		ns
		Advance		Preliminary				

Note 1: Please contact Xilinx for up-to-date information on advance specifications.



Output Type	V _{CCIO}	V _{TEST}	R ₁	R ₂	C _L
	3.3 V	3.3 V	320 Ω	360 Ω	35 pF
	2.5 V	2.5 V	250 Ω	660 Ω	35 pF

X5906A

Figure 3: AC Load Circuit

Internal Timing Parameters

Symbol	Parameter	XC95144XL-5		XC95144XL-7		XC95144XL-10		Units
		Min ¹	Max ¹	Min	Max	Min	Max	
Buffer Delays								
t _{IN}	Input buffer delay		1.5		2.3		3.5	ns
t _{GCK}	GCK buffer delay		1.1		1.5		1.8	ns
t _{GSR}	GSR buffer delay		2.0		3.1		4.5	ns
t _{GTS}	GTS buffer delay		4.0		5.0		7.0	ns
t _{OUT}	Output buffer delay		2.0		2.5		3.0	ns
t _{EN}	Output buffer enable/disable delay		0.0		0.0		0.0	ns
Product Term Control Delays								
t _{PTCK}	Product term clock delay		1.6		2.4		2.7	ns
t _{PTSR}	Product term set/reset delay		1.0		1.4		1.8	ns
t _{PTTS}	Product term 3-state delay		5.5		7.2		7.5	ns
Internal Register and Combinatorial Delays								
t _{PDI}	Combinatorial logic propagation delay		0.5		1.3		1.7	ns
t _{SUI}	Register setup time	2.3		2.6		3.0		ns
t _{HI}	Register hold time	1.4		2.2		3.5		ns
t _{ECSU}	Register clock enable setup time	2.3		2.6		3.0		ns
t _{ECHO}	Register clock enable hold time	1.4		2.2		3.5		ns
t _{COI}	Register clock to output valid time		0.4		0.5		1.0	ns
t _{AOI}	Register async. S/R to output delay		6.0		6.4		7.0	ns
t _{RAI}	Register async. S/R recover before clock	5.0		7.5		10.0		ns
t _{LOGI}	Internal logic delay		1.0		1.4		1.8	ns
t _{LOGILP}	Internal low power logic delay		5.0		6.4		7.3	ns
Feedback Delays								
t _F	FastCONNECT II™ feedback delay		1.9		3.5		4.2	ns
Time Adders								
t _{PTA}	Incremental product term allocator delay		0.7		0.8		1.0	ns
t _{SLEW}	Slew-rate limited delay		3.0		4.0		4.5	ns
			Advance		Preliminary			

Note 1: Please contact Xilinx for up-to-date information on advance specifications.

XC95144XL I/O Pins

Function Block	Macrocell	TQ100	TQ144	CS144	BScan Order	Notes
1	1	-	23	H3	429	
1	2	11	16	F1	426	
1	3	12	17	G2	423	
1	4	-	25	J1	420	
1	5	13	19	G3	417	
1	6	14	20	G4	414	
1	7	-	-	-	411	
1	8	15	21	H1	408	
1	9	16	22	H2	405	
1	10	-	31	K3	402	
1	11	17	24	H4	399	
1	12	18	26	J2	396	
1	13	-	-	-	393	
1	14	19	27	J3	390	
1	15	20	28	J4	387	
1	16	-	35	M1	384	
1	17	22	30	K2	381	[1]
1	18	-	-	-	378	
2	1	-	142	C3	375	
2	2	99	143	A2	372	[1]
2	3	-	-	-	369	
2	4	-	4	C1	366	
2	5	1	2	B1	363	[1]
2	6	2	3	C2	360	[1]
2	7	-	-	-	357	
2	8	3	5	D4	354	[1]
2	9	4	6	D3	351	[1]
2	10	-	7	D2	348	
2	11	6	9	E4	345	
2	12	7	10	E3	342	
2	13	-	12	E1	339	
2	14	8	11	E2	336	
2	15	9	13	F4	333	
2	16	-	14	F3	330	
2	17	10	15	F2	327	
2	18	-	-	-	324	

Note 1: Global control pin.

Function Block	Macrocell	TQ100	TQ144	CS144	BScan Order	Notes
3	1	-	39	M3	321	
3	2	23	32	L1	318	[1]
3	3	-	41	K4	315	
3	4	-	44	N4	312	
3	5	24	33	L2	309	
3	6	25	34	L3	306	
3	7	-	46	L5	303	
3	8	27	38	N2	300	[1]
3	9	28	40	N3	297	
3	10	-	48	N5	294	
3	11	29	43	M4	291	
3	12	30	45	K5	288	
3	13	-	-	-	285	
3	14	32	49	K6	282	
3	15	33	50	L6	279	
3	16	-	-	-	276	
3	17	34	51	M6	273	
3	18	-	-	-	270	
4	1	-	118	C9	267	
4	2	87	126	A7	264	
4	3	-	133	A5	261	
4	4	-	-	-	258	
4	5	89	128	D7	255	
4	6	90	129	A6	252	
4	7	-	-	-	249	
4	8	91	130	B6	246	
4	9	92	131	C6	243	
4	10	-	135	C5	240	
4	11	93	132	D6	237	
4	12	94	134	B5	234	
4	13	-	137	A4	231	
4	14	95	136	D5	228	
4	15	96	138	B4	225	
4	16	-	139	C4	222	
4	17	97	140	A3	219	
4	18	-	-	-	216	

XC95144XL (Continued)

Function Block	Macrocell	TQ100	TQ144	CS144	BScan Order	Notes
5	1	-	-	-	213	
5	2	35	52	N6	210	
5	3	-	59	L8	207	
5	4	-	-	-	204	
5	5	36	53	M7	201	
5	6	37	54	N7	198	
5	7	-	66	M10	195	
5	8	39	56	K7	192	
5	9	40	57	N8	189	
5	10	-	68	N11	186	
5	11	41	58	M8	183	
5	12	42	60	K8	180	
5	13	-	70	L11	177	
5	14	43	61	N9	174	
5	15	46	64	K9	171	
5	16	-	-	-	168	
5	17	49	69	M11	165	
5	18	-	-	-	162	
6	1	-	-	-	159	
6	2	74	106	C11	156	
6	3	-	-	-	153	
6	4	-	111	B11	150	
6	5	76	110	A12	147	
6	6	77	112	A11	144	
6	7	-	-	-	141	
6	8	78	113	D10	138	
6	9	79	116	A10	135	
6	10	-	115	B10	132	
6	11	80	119	B9	129	
6	12	81	120	A9	126	
6	13	-	-	-	123	
6	14	82	121	D8	120	
6	15	85	124	A8	117	
6	16	-	117	D9	114	
6	17	86	125	B7	111	
6	18	-	-	-	108	

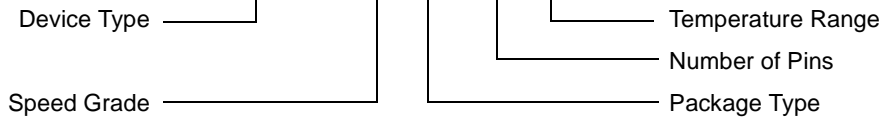
Function Block	Macrocell	TQ100	TQ144	CS144	BScan Order	Notes
7	1	-	-	-	105	
7	2	50	71	N12	102	
7	3	-	75	L12	99	
7	4	-	-	-	96	
7	5	52	74	M13	93	
7	6	53	76	L13	90	
7	7	-	77	K10	87	
7	8	54	78	K11	84	
7	9	55	80	K13	81	
7	10	-	79	K12	78	
7	11	56	82	J11	75	
7	12	58	85	H10	72	
7	13	-	81	J10	69	
7	14	59	86	H11	66	
7	15	60	87	H12	63	
7	16	-	83	J12	60	
7	17	61	88	H13	57	
7	18	-	-	-	54	
8	1	-	-	-	51	
8	2	63	91	G11	48	
8	3	-	95	F11	45	
8	4	-	97	E13	42	
8	5	64	92	G10	39	
8	6	65	93	F13	36	
8	7	-	-	-	33	
8	8	66	94	F12	30	
8	9	67	96	F10	27	
8	10	-	101	D13	24	
8	11	68	98	E12	21	
8	12	70	100	E10	18	
8	13	-	103	D11	15	
8	14	71	102	D12	12	
8	15	72	104	C13	9	
8	16	-	107	B13	6	
8	17	73	105	C12	3	
8	18	-	-	-	0	

XC95144XL Global, JTAG and Power Pins

Pin Type	TQ100	TQ144	CS144
I/O/GCK1	22	30	K2
I/O/GCK2	23	32	L1
I/O/GCK3	27	38	N2
I/O/GTS1	3	5	D4
I/O/GTS2	4	6	D3
I/O/GTS3	1	2	B1
I/O/GTS4	2	3	C2
I/O/GSR	99	143	A2
TCK	48	67	L10
TDI	45	63	L9
TDO	83	122	C8
TMS	47	65	N10
V _{CCINT} 3.3 V	5, 57, 98	8, 42, 84, 141	B3, D1, J13, L4
V _{CCIO} 2.5 V/3.3 V	26, 38, 51, 88	1, 37, 55, 73, 109, 127	A1, A13, C7, L7, N1, N13
GND	21, 31, 44, 62, 69, 75, 84, 100	18, 29, 36, 47, 62, 72, 89, 90, 99, 108, 114, 123, 144	B2, B8, B12, C10, E11, G1, G12, G13, K1, M2, M5, M9, M12
No Connects	-	-	-

Ordering Information

Example: XC95144XL -7 TQ 100 C



Speed Options

- 10 10 ns pin-to-pin delay
- 7 7.5 ns pin-to-pin delay
- 5 5 ns pin-to-pin delay

Packaging Options

- TQ100 100-Pin Thin Quad Flat Pack (TQFP)
- TQ144 144-Pin Thin Quad Flat Pack (TQFP)
- CS144 144-Pin Chip Scale Package (CSP)

Temperature Options

- C = Commercial $T_A = 0^\circ\text{C to } +70^\circ\text{C}$
- I = Industrial $T_A = -40^\circ\text{C to } +85^\circ\text{C}$

Component Availability

Pins		100	144	144
Type		Plastic TQFP	Plastic TQFP	Chip Scale Package CSP
Code		TQ100	TQ144	CS144
XC95144XL	-10	C, I	C, I	-
	-7	C	C	(C)
	-5	(C)	(C)	-

C = Commercial ($T_A = 0^{\circ}\text{C}$ to $+70^{\circ}\text{C}$) I = Industrial ($T_A = -40^{\circ}\text{C}$ to $+85^{\circ}\text{C}$)

() Parenthesis indicate future planned products. Please contact Xilinx for up-to-date availability information.

Revision History

Date	Revision
10/30/98	Minor corrections in CS144 pinout table.
11/13/98	V1.2 Minor correction in CS144 pinout table.