

# YGV618

## AVDP5

### Advanced Video Display Processor 5

#### ■ OUTLINE

YGV618 has a built-in PLL circuit which allows to superimpose the images outputted by the device over an external video signals easier.

This device is given YGV617's high speed drawing function and character drawing function, and moreover, higher performance in data transfer between the frame memories, compatibility with 32 bit CPU, and other outstanding features.

Thanks to these features, YGV618 is best suited to the applications such as multi-vision display unit for automobile audio system, the display unit for automobile navigation system, on-screen display (OSD) of wide screen TV, video editing equipment and Karaoke equipment.

The flicker cancel filter is built in this device for preventing flickering in interlaced scanning to make it the VDP (Video Display Processor) that is best suited to precision household communication equipment such as an internet TV.

#### ■ FEATURES

##### [Functions]

- Bit map plane is able to display images simultaneously using 16 colors, 256 colors or 32768 colors.
- A sprite is able to use 32 x 32 dots.
- The sprite plane can be used as a crosshair line cursor.
- A monitor synchronization frequency, dot clock frequency and display screen resolution can be specified optionally.
- High resolution display and interlaced scanning can be used.
- Has a built-in flicker cancel filter.
- Displaying compressed data in horizontal direction
- All direction smooth scroll (spherical scroll) function can be used.
- Has a built-in color look up table of 256 words x 16 bits, where display colors can be selected from 32768 colors.
- Linear RGB output is obtained with the built-in DAC.
- The built-in PLL circuit enables the device to generate clock signals that is synchronized with external video signals.
- By generating dot clock signals that are synchronized with sub carrier clock signals, the device makes clear image at an optional resolution without misalignment of colors.
- Provides various drawing command functions.

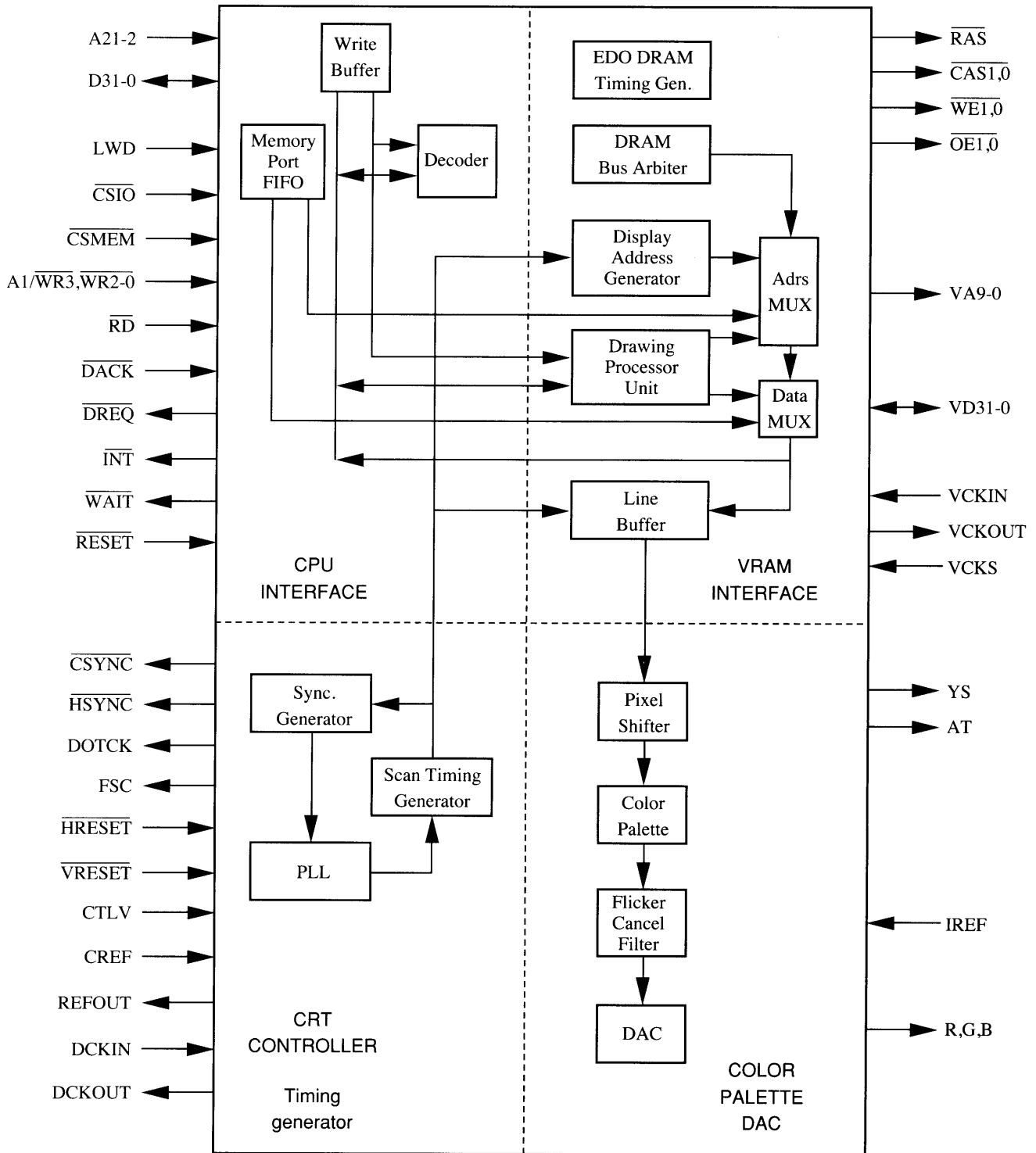
##### [CPU Interface]

- 16 bit or 32 bit asynchronous interface
- The registers and various I/O ports are mapped on the 16 byte I/O space (for 16 bit CPU) or on the 32 byte I/O space (for 32 bit CPU).
- Video memory up to 4 Mbytes can be mapped directly on the memory space of the system.
- Has a built-in data FIFO for memory port.
- Has a built-in drawing data FIFO and CPU interrupt function.
- When connected with an external DMA controller, command drawing data can be transferred through DMA.

##### [Other Features]

- One unit or two units of 4 M bit or 16 M bit high speed page mode DRAM or EDO mode DRAM with 16 bit configuration can be connected.
- Since clock signals for video memory can be inputted in addition to clock signals for display, an access speed that is the most suitable to the DRAM to be connected can be specified.
- The built-in FIFO for display data has reduced overhead at draw data access, achieving high speed drawing.
- Has linear RGB output pins, YS pin and attribute output pin.
- Outputs sub-carrier clock and dot clock.
- Accepts display timing reset input (horizontal and vertical).
- 160 pin plastic QFP
- CMOS and 5 V single power supply

■ BLOCK DIAGRAM



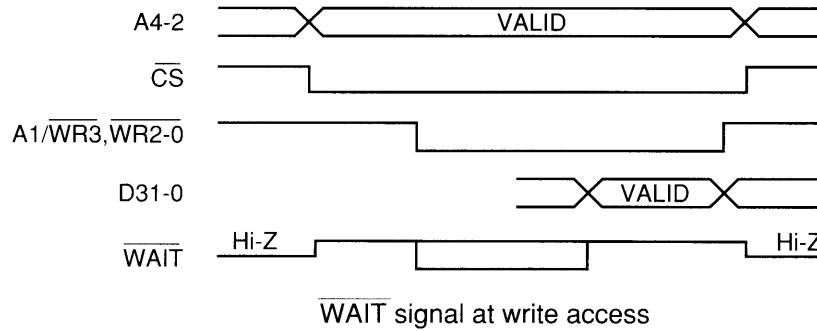


**■ PIN FUNCTIONS****<CPU interface>**

- **D31-0 (I/O : Pull Up)**  
These pins comprise a CPU data bus. D31-16 pins are to be kept open in case of 16 bit CPU that does not use the pins.
- **A21-2 (I)**  
These pins comprise a CPU address bus. When accessing  $\overline{\text{CSIO}}$  space, input signals to A21-5 pins are ignored in case of 32 bit CPU, or those to A21-4 pins are ignored in case of 16 bit CPU. Unused pins are to be pulled up or down. A21 to 5 are input pins in usual operation. They become output pins in test mode operation.
- **$\overline{\text{CSIO}}$  (I)**  
This is a chip select input signal for I/O space. An I/O port in AVDP5 is accessed by the write/read pulses that are inputted when this signal is active. When the address is inputted with this signal at low, input signals to A21-5 pins are ignored in case of 32 bit CPU, or input signals to A21-4 pins are ignored in case of 16 bit CPU.
- **$\overline{\text{CSMEM}}$  (I)**  
This is a chip select input signal for video memory port. Video memory controlled by AVDP5 is directly accessed by the write/read pulses that are inputted when this signal is active. The video memory can also be accessed from I/O space without using this pin if a high level signal is inputted to this pin.
- **A1/ $\overline{\text{WR3}}$ ,  $\overline{\text{WR2}}$ -0 (I)**  
These signals are used to control writing into AVDP5 when the chip select input is active. A1/ $\overline{\text{WR3}}$  controls D31-24,  $\overline{\text{WR2}}$  controls D23-16,  $\overline{\text{WR1}}$  controls D15-8, and  $\overline{\text{WR0}}$  controls D7-0.  
In case of 16 bit CPU, A1/ $\overline{\text{WR3}}$  functions as A1 of the CPU address. Keep the level of  $\overline{\text{WR2}}$  high although this pin is not used.
- **$\overline{\text{RD}}$  (I)**  
This signal controls reading from AVDP5 when the chip select input is active. D31-0 pins become output state when both this signal and the chip select signal are active. In case of 16 bit CPU, D15-0 pins become output state.

- $\overline{\text{WAIT}}$  (O : Pull Up, 3 state output)

This is the data wait signal outputted to CPU. When  $\overline{\text{CS}}$  pin is active, this pin outputs  $\overline{\text{WAIT}}$  signal responding to the  $\overline{\text{RD}}$  or  $\overline{\text{A1/WR3}}$  and  $\overline{\text{WR2-0}}$  signals, and then clears the  $\overline{\text{WAIT}}$  signal when the CPU has become accessible. When  $\overline{\text{CS}}$  pin is not active, this pin becomes high impedance state. When  $\overline{\text{CS}}$  pin is active and  $\overline{\text{RD}}$  or  $\overline{\text{A1/WR3}}$  and  $\overline{\text{WR2-0}}$  pins are not active, the level of this pin becomes high.



- $\overline{\text{INT}}$  (O : Open drain output)  
Outputs an interrupt request signal to CPU. This signal becomes active when the internal state of AVDP5 coincides with the conditions set in the registers. It is reset when registers of AVDP5 have been accessed.
- LWD (I : Pull Up)  
This signal selects the width of CPU data bus. When high level signal is inputted, this device is compatible with 32 bit system, or when low level signal is inputted, it is compatible with 16 bit system.
- RESET (I : Pull Up)  
This pin accepts an initial reset signal. Internal registers of AVDP5 is cleared to "0(zero)" when this signal has been inputted. (Some registers are loaded with initial value.) Make sure to input the reset signal at power on.
- DREQ (O)  
Outputs command data request signal to an external DMA controller.
- DACK (I : Pull Up)  
When an external DMA controller has received  $\overline{\text{DREQ}}$  signal, it returns command data transfer permit signal to this device through this pin.

## <Video Memory Interface>

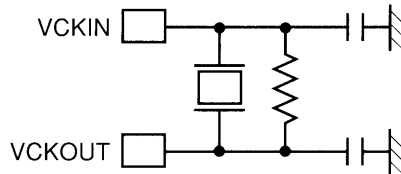
- VA9-VA0 (O)  
These pins comprise an address bus for VRAM. This bus outputs low address and column address of DRAM used by AVDP5 based on time sharing. This pin becomes high impedance when in VRAM halt state. VA9 pin is not used the DRAM connected to this device is 4M bit type or 8M bit type.
- VD31-VD0 (I/O : Pull Up)  
These pins comprise an data bus for VRAM. Data of DRAM used by AVDP5 are transferred through this bus. This pin becomes high impedance when in VRAM halt state.
- RAS (O)  
This pin outputs DRAM row address strobe signals for VRAM. This pin becomes high impedance when in VRAM halt state.
- CAS1,0 (O)  
These pins output DRAM column address strobe signals for VRAM.  $\overline{\text{CAS1}}$  and  $\overline{\text{CAS0}}$  are  $\overline{\text{CAS}}$  signals that are related respectively to upper bytes D15-8 and lower bytes D7-0 of the DRAM. These pins become high impedance when in VRAM halt state.

- WE1-0 (O)

This pin outputs DRAM write strobe signal for VRAM. When two DRAMs are used, VD31-16 are controlled by WE1, and VD15-0 are controlled by WE0. This pin becomes high impedance when in VRAM halt state.

- VCKIN (I), VCKOUT (O)

Crystal oscillator for generating clock that determines video memory access timing is connected to these pins. This clock is supplied to the blocks including VRAM interface, CPU interface and drawing processor. When low level signal is inputted to VCKS pin, be sure to input a low or high level signal to VCKIN pin. VCKOUT pin may be kept open.



- VCKS (I : Pull Up)

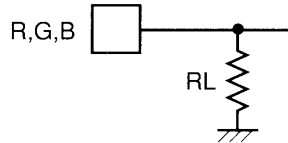
When clock inputted from DCKIN and DCKOUT pins is used, input low level signal to this pin. VRAM clock and dot clock are generated. In this case, it is not necessary to feed clock into VCKIN pin. When clock inputted from VCKIN and VCKOUT pins is used, VCKS pin may be kept open.

When the level of this pin is low, it is necessary to input a stable clock into DCKIN pin. Therefore, when clock generated by the built-in PLL is used as dot clock, be careful not to make them unstable.

<Display Monitor and Interface>

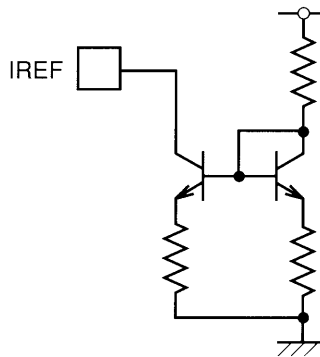
- R, G, B (O : Analog output)

These pins output linear red, green and blue signals respectively. Connect a terminating resistor of 37.5 ohms so that the pin outputs voltage with amplitude of 1 Vp-p at the resolution of 5 bit (32 levels).



- IREF (I : Analog input)

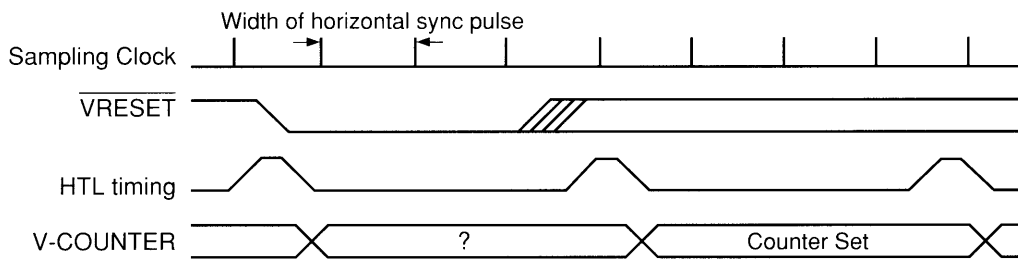
This pin supplies a reference current to the current cell matrix type DAC that is built in the AVDP5. Use the current sink circuit for supplying the reference current.



- CSYNC (O)

Outputs composite synchronization signal for an external monitor. In interlaced scanning mode, this pin outputs an equalizing pulse. This pin is able to output vertical synchronization signal depending on the setting the register.

- $\overline{\text{HSYNC}}$  (O)  
Outputs horizontal synchronization signal for an external monitor.
- DOTCK (O)  
Outputs clock for transferring display data. The data changes synchronizing with this clock.
- FSC (O)  
Outputs sub carrier clock for video encoder. This pin is able to output a clock with frequency of 1/1, 1/2, 1/4 or 1/8 of that of DCKIN pin input signal depending on the setting the register. For example, when the frequency of a signal inputted to DCKIN pin is 14.318 MHz and it is divided by 4, the sub-carrier clock with frequency of 3.58 MHz is obtained.
- $\overline{\text{VRESET}}$  (I : Pull Up)  
Resets vertical timing of CRT controller block of AVDP5.  
This input signal is sampled at the cycle equal to pulse width of horizontal synchronization signal. When three low levels have been detected successively, the internal V counter is set at HLT timing (horizontal synchronization signal start timing) immediately after the third low level.  
In interlaced scanning mode, current field is identified, and the internal V counter is set into the field where the signal has been inputted. With these operations, the internal counter can be reset at vertical synchronization timing even if composite synchronization signal is inputted to this pin. In case the signal is inputted in the display period, the display data in the next one field is not guaranteed.  
This pin may be kept open if this function is not used.



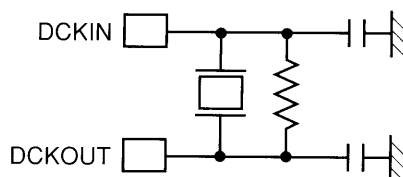
- $\overline{\text{HRESET}}$  (I : Pull Up)  
Resets horizontal timing of CRT controller block of AVDP5. This signal is sampled according to the main clock. The horizontal timing is set to horizontal synchronization start position at fall moment from high level to low level, and at the same time, phase of dot clock is reset.  
When the built-in PLL is operated in the external sync mode, the frequency of dot clock is given by multiplying the frequency of  $\overline{\text{HRESET}}$  by the value set in the internal register, and HSYNC signal generated in the CRT control block is locked by  $\overline{\text{HRESET}}$  signal.  
In case this signal is inputted in the display period, the display data in the next one line is not guaranteed.  
This pin can be kept open if this function is not used.
- YS (O)  
This signal is used to control switching between the external video signal and an image signal outputted by YGV618 when in superimposing. The reversed signal of YSN bit at the selected address on the RAM is outputted to this pin. During the border display period, the reversed signal of setting value of border YS data is outputted to this pin. In 32768 color display mode, the reversed signal of YS data set in VRAM is outputted to this pin.
- AT (O)  
A bit information of internal registers or that of color palette is outputted to this pin.

- DCKIN(I), DCKOUT (O)

A reference clock is inputted to these pins when PLL is operated in FSC sync mode. In this case, frequency of the reference clock is four times of fsc.

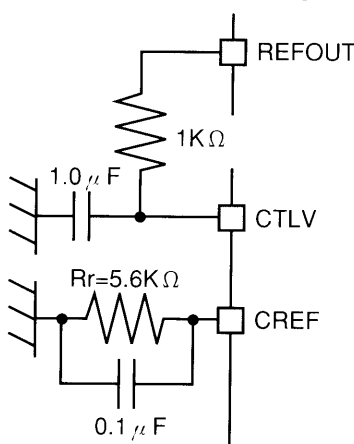
When PLL function is not used, this inputted clock is supplied to CRTC block and display data control block as it is.

When a low level signal is inputted to VCKS pin, the clock is supplied also to blocks including VRAM interface, CPU interface and drawing processor.



- CTLV (I), CREF (I), REFOUT (O)

These pins are used to connect external resistors and capacitors when the built-in PLL circuit is used.



Notes:

1. For the circuit between REFOUT and CTLV, the layout should be determined so that the parasitic capacitance is minimized and no signal interference can occur.
2. For the circuit between CREF and Rr, the layout should be determined so that the parasitic capacitance is minimized and no signal interference can occur.
3. PLL may fail to lock in case there is a time difference between rise moment of AVDD (for PLL) and rise moment of VDD (for Digital Logic).
4. When PLL is not used, open the REFOUT pin, ground the CTLV pin and pull down the CREF pin using a several KΩ resistor.

#### <Other pins>

- AVDD1, AVSS1 (I)

These pins supply electric power to analog circuit of AVDP5's built-in PLL section.  
+5 V is to be added to AVDD1 pin, and AVSS1 is to be grounded.

- AVDD2, AVSS2 (I)

These pins supply electric power to analog circuit of AVDP5's built-in DAC section.  
+5 V is to be added to AVDD2 pin, and AVSS2 is to be grounded.

- VDD, VSS (I)

These pins supply electric power to digital circuit of AVDP5.

+5 V is to be added to VDD pin, and VSS is to be grounded.

AVDP5 has more than two VDD and VSS pins, all of which must be supplied with power. Place a bypass condenser as a noise killer between VDD and VSS as close as possible to these pins.



## ■ ELECTRICAL CHARACTERISTICS

### ● Absolute maximum ratings

Item	Symbol	Ratings	Unit
Supply voltage	VDD	-0.5 ~ +7.0	V
Input terminal voltage	VI	-0.5 ~ VDD+0.5	V
Output terminal voltage	VO	-0.5 ~ VDD+0.5	V
Output terminal current	IO	-20 ~ +20	mA
Storage temperature	Tstg	-50 ~ +125	°C

### ● Recommended operating conditions

Item	Symbol	Min.	Typ.	Max.	Unit
Supply voltage	VDD	4.75	5.00	5.25	V
Supply voltage	VSS		0		V
Low level input voltage (except for DCKIN and VCKIN terminals)	VIL	-0.3		0.8	V
High level input voltage (except for DCKIN and VCKIN terminals)	VIH	2.0		VDD+0.3	V
Low level input voltage (DCKIN and VCKIN terminals)	VIL	-0.3		0.3VDD	V
High level input voltage (DCKIN and VCKIN terminals)	VIH	0.7VDD		VDD+0.3	V
Ambient operating temperature	Top	-20		70	°C

### ● Electrical characteristics under recommended operating conditions

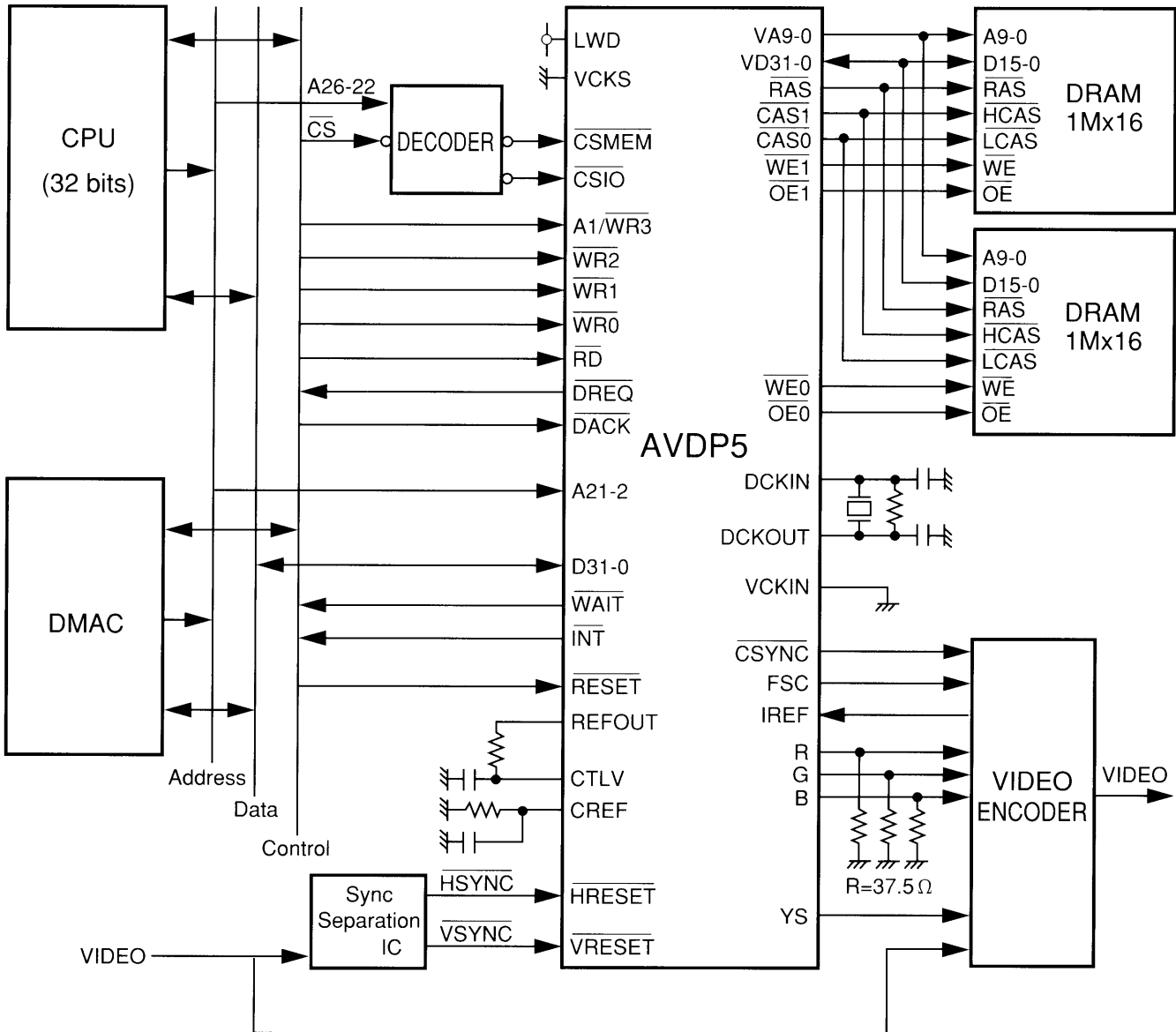
#### • DC characteristics

Item	Symbol	Measurement condition	Min.	Typ.	Max.	Unit
Low level output voltage (except for OPEN DRAIN terminal)	VOL	IOL=1.6mA			0.4	V
Low level output voltage (OPEN DRAIN terminal)	VOL	IOL=3.2mA			0.4	V
High level output voltage (except for OPEN DRAIN terminal)	VOH	IOH=-1.0mA	4.0			V
Input leakage current	ILI				10	μA
Output leakage current	ILO				25	μA
Power consumption	IDD			150		mA

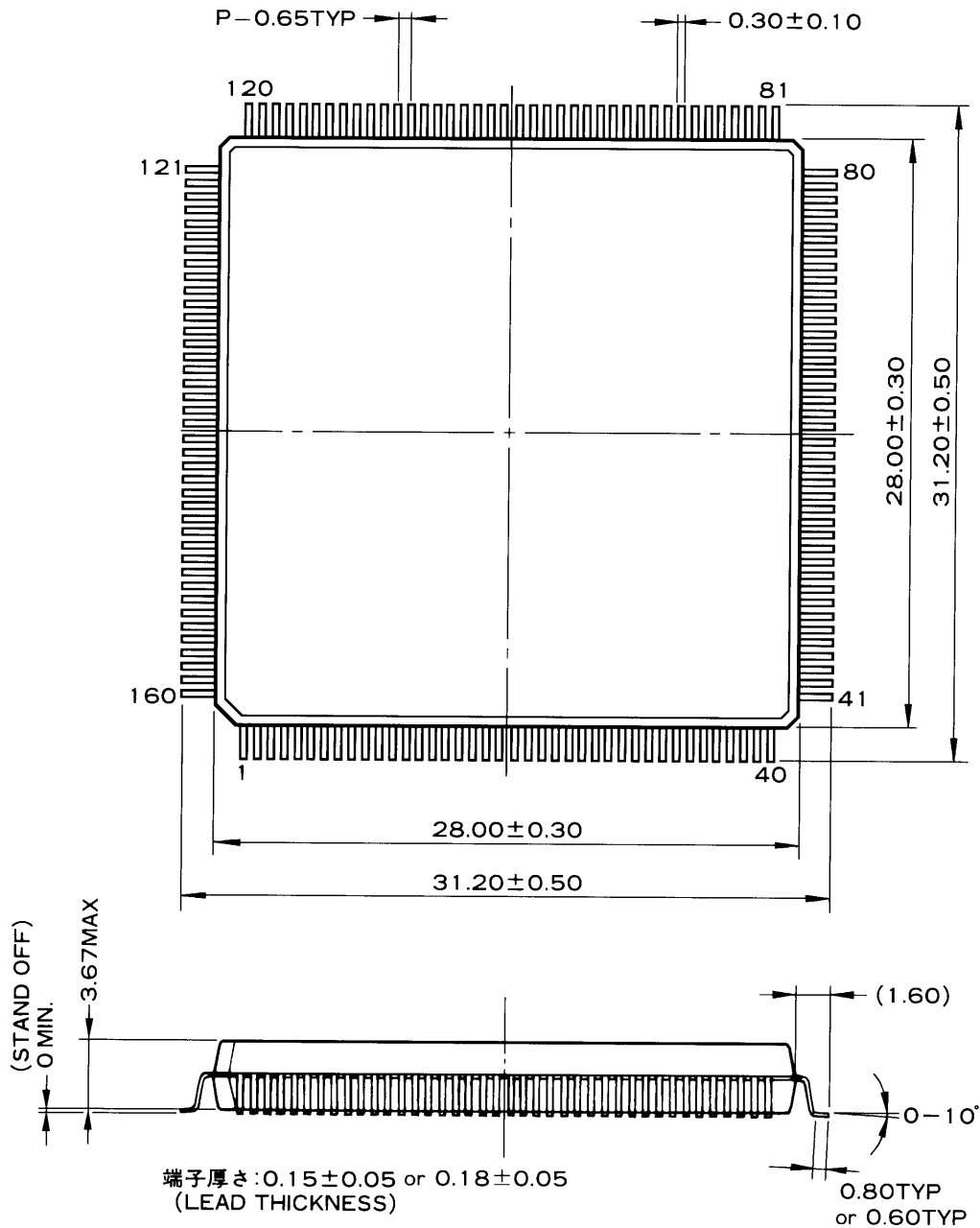
#### • Terminal capacity

Item	Symbol	Min.	Typ.	Max.	Unit
Input terminal capacity	CI	—	—	8	pF
Output terminal capacity	CO	—	—	10	
Input/Output terminal capacity	CIO	—	—	12	

SYSTEM CONFIGURATION EXAMPLE



## EXTERNAL DIMENSIONS



モールドコーナー形状は、この図面と若干異なるタイプのものもあります  
 カッコ内の寸法値は参考値とする  
 モールド外形寸法はバリを含まない  
 単位(UNIT): mm

The shape of the molded corner may slightly different from the shape in this diagram.

The figure in the parenthesis ( ) should be used as a reference.

Plastic body dimensions do not include burr of resin.

UNIT: mm

Note: The LSIs for surface mount need especial consideration on storage and soldering conditions.  
 For detailed information, please contact your nearest agent of yamaha.

**IMPORTANT NOTICE**

1. Yamaha reserves the right to make changes to its Products and to this document without notice. The information contained in this document has been carefully checked and is believed to be reliable. However, Yamaha assumes no responsibilities for inaccuracies and makes no commitment to update or to keep current the information contained in this document.

2. These Yamaha Products are designed only for commercial and normal industrial applications, and are not suitable for other uses, such as medical life support equipment, nuclear facilities, critical care equipment or any other application the failure of which could lead to death, personal injury or environmental or property damage. Use of the Products in any such application is at the customer's sole risk and expense.

3. YAMAHA ASSUMES NO LIABILITY FOR INCIDENTAL, CONSEQUENTIAL OR SPECIAL DAMAGES OR INJURY THAT MAY RESULT FROM MISAPPLICATION OR IMPROPER USE OR OPERATION OF THE PRODUCTS.

4. YAMAHA MAKES NO WARRANTY OR REPRESENTATION THAT THE PRODUCTS ARE SUBJECT TO INTELLECTUAL PROPERTY LICENSE FROM YAMAHA OR ANYTHIRD PARTY, AND YAMAHA MAKES NO WARRANTY OR REPRESENTATION OF NON-INFRINGEMENT WITH RESPECT TO THE PRODUCTS. YAMAHA SPECIFICALLY EXCLUDES ANY LIABILITY TO THE CUSTOMER OR ANY THIRD PARTY ARISING FROM OR RELATED TO THE PRODUCTS' INFRINGEMENT OF ANY THIRD PARTY'S INTELLECTUAL PROPERTY RIGHTS, INCLUDING THE PATENT, COPYRIGHT, TRADEMARK OR TRADE SECRET RIGHTS OF ANY THIRD PARTY.

5. EXAMPLES OF USE DESCRIBED HEREIN ARE MERELY TO INDICATE THE CHARACTERISTICS AND PERFORMANCE OF YAMAHA PRODUCTS. YAMAHA ASSUMES NO RESPONSIBILITY FOR ANY INTELLECTUAL PROPERTY CLAIMS OR OTHER PROBLEMS THAT MAY RESULT FROM APPLICATIONS BASED ON THE EXAMPLES DESCRIBED HEREIN. YAMAHA MAKES NO WARRANTY WITH RESPECT TO THE PRODUCTS, EXPRESS OR IMPLIED, INCLUDING, BUT NOT LIMITED TO THE WARRANTIES OF MERCHANTABILITY, FITNESS FOR A PARTICULAR USE AND TITLE.

Note) The specifications of this product are subject to improvement changes without prior notice.

**AGENCY****YAMAHA CORPORATION****Address inquiries to:****Semiconductor Sales & Marketing Department**

- Head Office 203, Matsunokijima, Toyooka-mura,  
Iwata-gun, Shizuoka-ken, 438-0192  
Tel. +81-539-62-4918 Fax. +81-539-62-5054
- Tokyo Office 2-17-11, Takanawa, Minato-ku,  
Tokyo, 108-8568  
Tel. +81-3-5488-5431 Fax. +81-3-5488-5088
- Osaka Office Namba Tsujimoto Nissei Bldg. 4F  
1-13-17, Namba Naka, Naniwa-ku,  
Osaka City, Osaka, 556-0011  
Tel. +81-6-6633-3690 Fax. +81-6-6633-3691
- U.S.A. Office YAMAHA Systems Technology  
100 Century Center Court, San Jose,  
CA 95112  
Tel. +1-408-467-2300 Fax. +1-408-437-8791