

YSD221

DIT3

Digital audio Interface Transmitter 3

■ OUTLINE

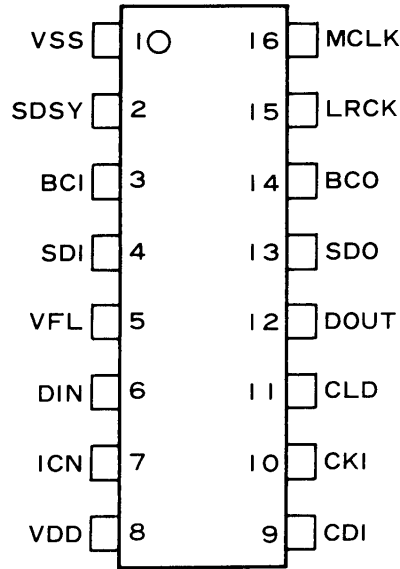
YSD221(DIT3) is an LSI which outputs the digital sound signals as digital audio interface (DIF) signals that conform to EIAJ CP-340 and AES/EBU. It also has a function of multiplexing with DIF signals from the CD signal processing LSI.

Use of YSD221 in combination with YM7110(LVFM) enables sound signals from the multi-disc player to be fully digitized, peripheral circuits to be reduced, sound signals to be switched and bilingual processed as well.

■ FEATURES

- Synchronous operation with the external clock (384fs) inputted into the MCLK terminal.
- Capable of accepting synchronized DIF signals in addition to the digital sound signals.
- Useable for bilingual discs as any input channel signals can be switched to the output channel.
- Outputs input signals as bi-phase signal.
- Also outputs signals to the digital filter, etc.
- First 32 bit of the channel status can be set through microprocessor.
- 5V single power supply, Si-gate CMOS process.
- 16 pin SOP or 16 pin DIP.

■ PIN CONFIGURATION



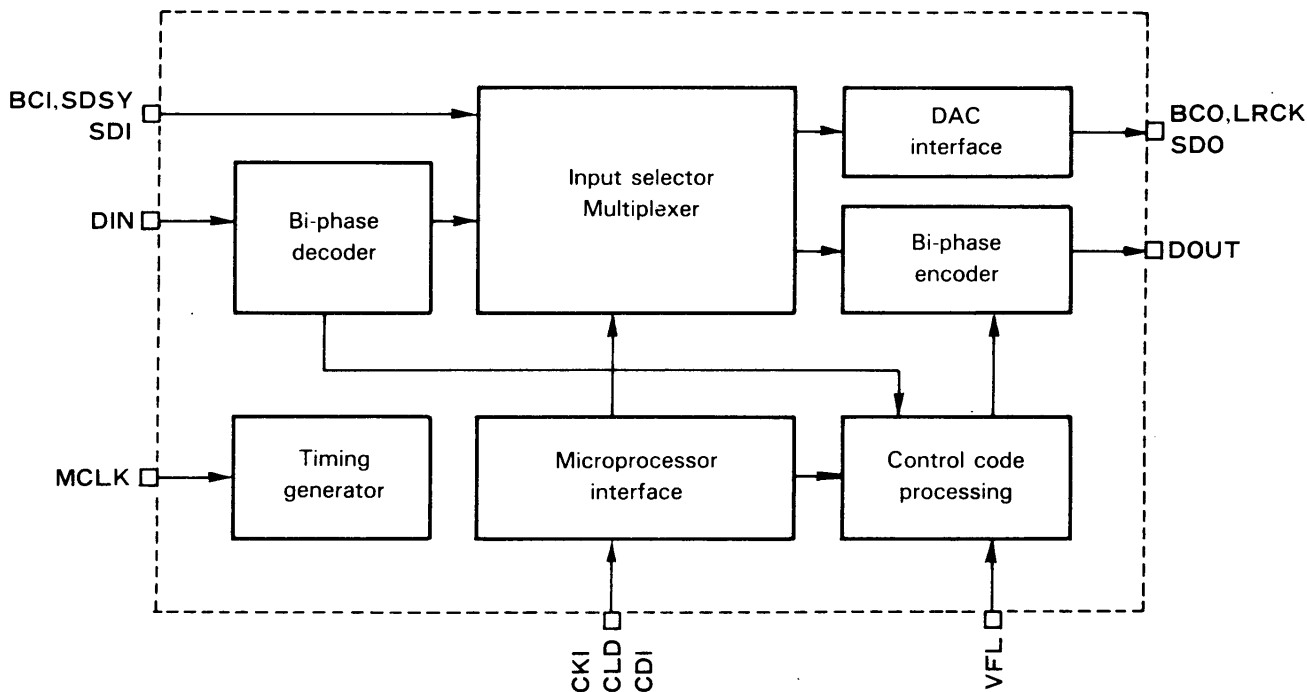
< 16 SOP, 16 DIP Top View >

■ PIN DESCRIPTION

No.	Name	I/O	Function
1	VSS		GND
2	SDSY	I+	Digital sound signal input
3	BCI	I+	Word clock
4	SDI	I+	Bit clock
5	VFL	I-	Serial data
6	DIN	I+	Validity flag data
7	ICN	I+	Synchronized digital audio interface signal input
8	VDD		+5V power supply
9	CDI	I	Microprocessor interface
10	CKI	I	Serial data input
11	CLD	I	Clock input
12	DOUT	O	Load input
13	SDO	O	Digital audio interface signal output
14	BCO	O	Digital sound signal output
15	LRCK	O	Serial data
16	MCLK	I	Bit clock
			L/R clock
			Master clock input (384fs)

(Note) I+: Input terminal with pull-up resistor
 I-: Input terminal with pull-down resistor

■ BLOCK DIAGRAM



■ FUNCTION DESCRIPTION

1. Master clock MCLK

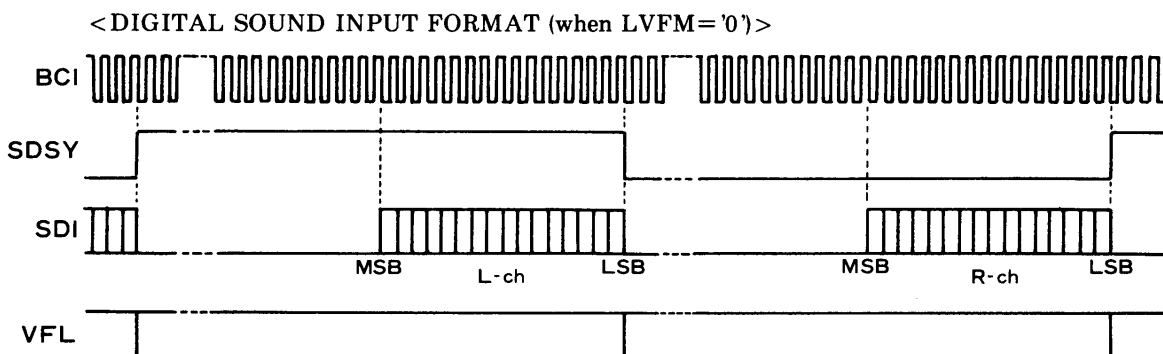
Inputs 384fs master clock to MCLK pin.

2. Data input DIN, BCI, SDSY, SDI, VFL

Digital sound signals are inputted through each pin of BCI, SDSY, SDI and VFL.

The input format is set through the microprocessor.

Interface with YM7110(LVFM) is also available.



- The acceptable sound data length is 16 bit.
- BCI, SDSY, SDI and VFL must be synchronized with MCLK.
- BCI must be one of 32fs, 48fs, 64fs, 96fs, 128fs and 192fs.

DIF signal is inputted through DIN pin by making use of the output of CD signal processing LSI, etc. 24 bit data including AUX bit and the control code can be accepted.

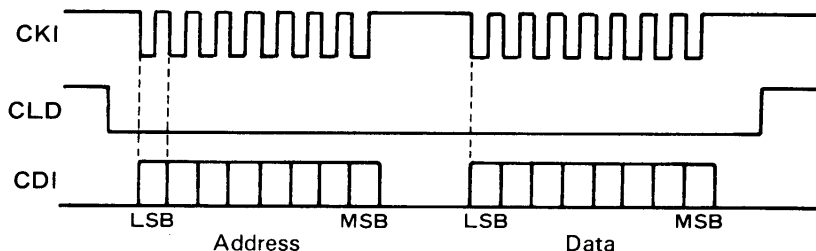
When inputting the DIF signal, it must be synchronized with the MCLK clock.

3. Microprocessor interface CLD, CKI, CDI

Setting multiplex of the input signal and channel status 32 bit should be done by sending the serial data in the format shown below through the microprocessor interface

3-1. Data format

Send the register address and setting data as a set.



3-2. Register map

ADDR		LSB	b1	b2	b3	b4	b5	b6	MSB
0	Output setting	LVFM	—	—	—	—	—	—	TEST
1		DIF	DAON	DION	—	CMOD	UMOD	VMOD	—
2		DA L		DA R		DI L		DI R	
3	Channel status	0	Control					0	0
4		Category code							
5	First 32 bit setting data	Source No.				Channel No.			
6		Sampling frequency				Clock accuracy		0	0

LVFM: Setting digital sound input format

0: Digital sound format <default>

1: YM7110(LVFM) format

TEST: LSI test

Always set to '0'.

DIF: Setting DIF signal output

0: Output OFF (DOUT= 'L')

1: Output ON <default>

DAON: Setting digital sound output

0: Output OFF (SDO MUTE) <default>

1: Output ON

DION: Setting DIF signal output

- 0: Output OFF (Audio data mute)
- 1: Output ON <default>

CMOD: Setting channel status output mode

- 0: Microprocessor setting data output (same for L and R, first 32 bit each and all '0' after this) <default>
- 1: Data inputted from DIN is copied and output (L and R, 192 bit each)

UMOD: Setting user data output mode

- 0: All '0' output <default>
- 1: Data inputted from DIN is copied and output (192 bit *2)

VMOD: Setting validity flag output mode

- 0: '0' output all the time
- 1: Data inputted from VFL (when SDI is selected) or DIN (when DIF is selected) is copied and output <default>

DA L, DA R: Setting digital sound output multiplex

DA L selects digital sound output to L channel and DA R selects output data to R channel

DA L		Signal output to digital sound output L channel
LSB	b1	
0	0	Digital sound input L channel
1	0	Digital sound input R channel
0	1	DIF signal input L channel
1	1	DIF signal input R channel

default value is (LSB, b1)=(0, 0)

DA R		Signal output to digital sound output R channel
b2	b3	
0	0	Digital sound input L channel
1	0	Digital sound input R channel
0	1	DIF signal input L channel
1	1	DIF signal input R channel

Initial value is (b2, b3)=(0, 0)

DI L, DI R: Setting DIF signal output multiplex

DI L selects DIF signal output to L channel and DI R selects output data to R channel

DI L		Signal output to DIF signal output L channel
b4	b5	
0	0	Digital sound input L channel
1	0	Digital sound input R channel
0	1	DIF signal input L channel
1	1	DIF signal input R channel

default value is (b4, b5)=(0, 0)

DI R		Signal output to DIF signal output R channel
b6	MSB	
0	0	Digital sound input L channel
1	0	Digital sound input R channel
0	1	DIF signal input L channel
1	1	DIF signal input R channel

Initial value is (b6, MSB)=(1, 0)

Channel status 32 bit:

Set data as the first 32 bit of channel status.

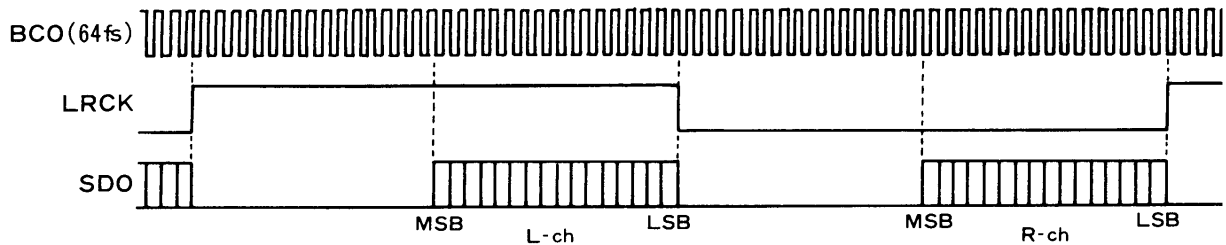
The data, as set, is output to both L and R channels from the immediately following preamble 'B' frame.

The initial value is all '0'.

4. Data output DOUT, BCO, LRCK, SDO

The audio data and control code are output through DOUT pin after bi-phase modulation. If DIF signal is selected, 24 bit including the AUX bit is output. Also, the digital sound data is output in the following format through BCO, LRCK and SDO terminals.

<DIGITAL SOUND OUTPUT FORMAT>



- The sound data length is 16 bit regardless of the input signal

5. System reset ICN

This LSI requires initial clear operation when the power is turned ON.

After the clock is fed, set the ICN pin to 'L' for 32 or more cycles of the sampling frequency.

While the ICN pin is 'L', DOUT output becomes 'L'.

■ ELECTRICAL CHARACTERISTICS

1. Absolute maximum ratings

Parameter	Symbol	Rating	Unit
Power supply voltage	VDD	-0.3 ~ 7.0	V
Input voltage	VI	-0.3 ~ VDD+0.3	V
Operating temperature	T _{op}	0 ~ 70	°C
Storage temperature	T _{stg}	-50 ~ 125	°C

2. Recommended operating conditions

Parameter	Symbol	Min.	Typ.	Max.	Unit
Power supply voltage	VDD	4.75	5.00	5.25	V
Operating temperature	T _{op}	0	25	70	°C

3. DC characteristics

Parameter	Symbol	Condition	Min.	Typ.	Max.	Unit
Power supply current	IDD				10	mA
Input voltage H level (1)	VIH1	*1	2.2			V
Input voltage L level (1)	VIL1	*1			0.8	V
Input voltage H level (2)	VIH2	*2	3.5			V
Input voltage L level (2)	VIL2	*2			1.5	V
Input leakage current	ILK	*3	-10		10	μA
Pull-up, pull-down resistance	RP	*4	60		600	kΩ
Output voltage H level	VOH	IOH = -0.4mA, *5	4.0			V
Output voltage L level	VOL	IOL = 1.0mA, *5			0.4	V
Input capacitance	CI	f = 1MHz			8	pF

*1) Applicable to input pins except for ICN.

*2) Applicable to ICN pin.

*3) Applicable to CDI, CKI, CLD and MCLK pins.

*4) Applicable to SDSY, BCI, SDI, VFL, DIN and ICN pins.

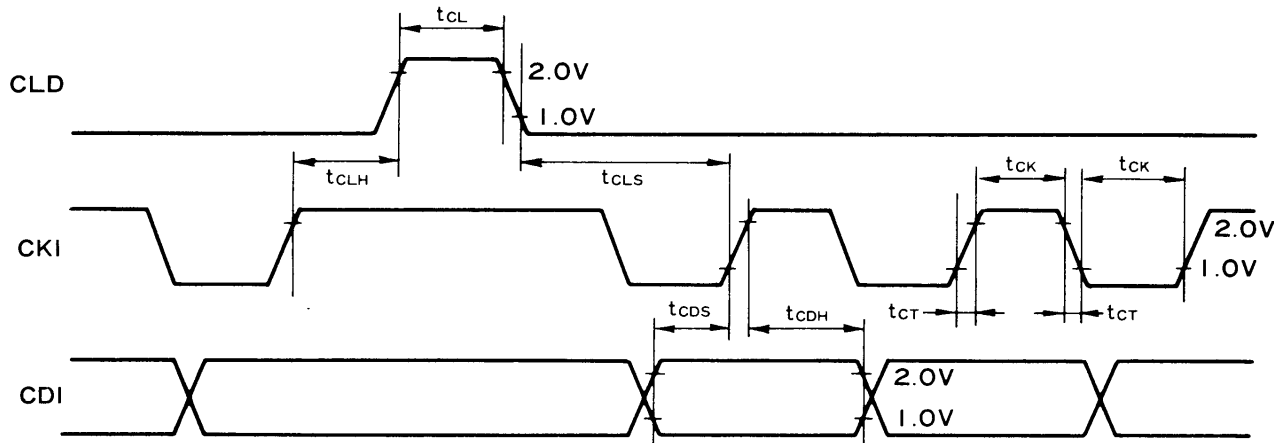
*5) Applicable to all output pins.

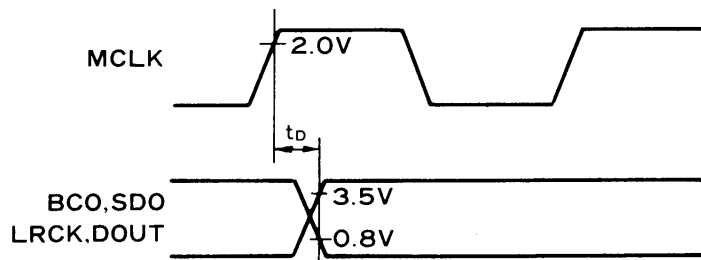
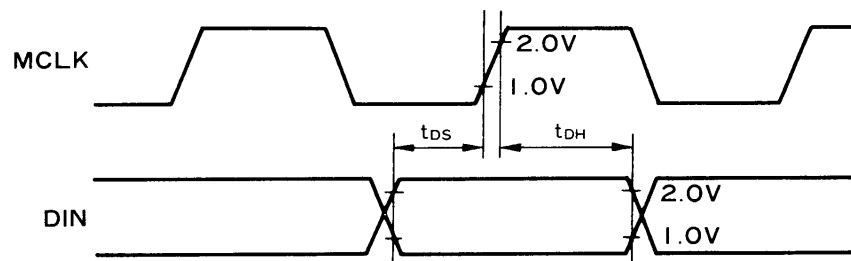
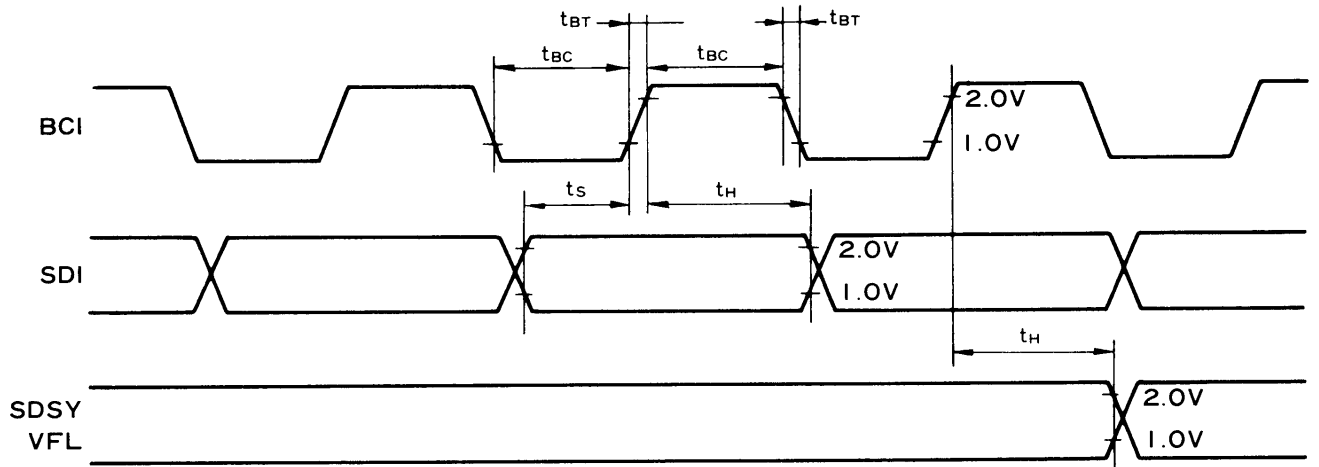
4. AC characteristics

Parameter	Symbol	Min.	Typ.	Max.	Unit
MCLK frequency	f _M	12.2		18.5	MHz
Duty	DM	40	50	60	%
CDI Setup time	t _{CDS}	20			ns
Hold time	t _{CDH}	20			ns
CKI ON/OFF time	t _{CK}	40			ns
Transition time	t _{CT}			50	ns
CLD Setup time	t _{CLS}	40			ns
Hold time	t _{CLH}	0			ns
CLD ON time	t _{CL}	14/f _M			ns
SDI Setup time	t _S	20			ns
Hold time	t _H	20			ns
BCI ON/OFF time	t _{BC}	40			ns
Transition time	t _{BT}			50	ns
DIF Setup time *1	t _{DS}	20			ns
Hold time *1	t _{DH}	20			ns
BCO, LRCK, SDO, DOUT Delay time *2	t _D			80	ns

*1) Either t_{DS} or t_{DH} may be less than its Min. value but not both of them at the same time.

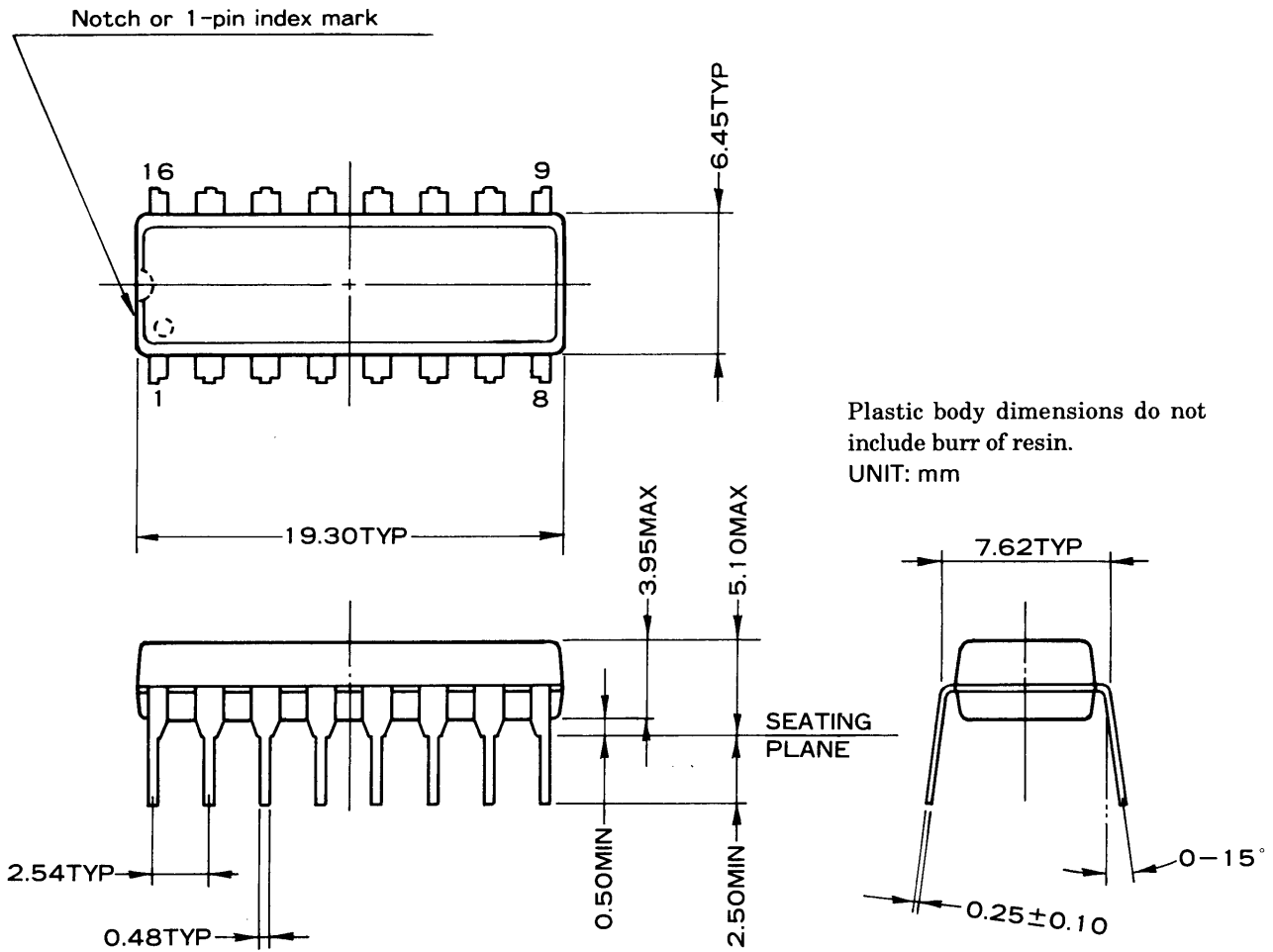
*2) Load capacitance : 100pF or less

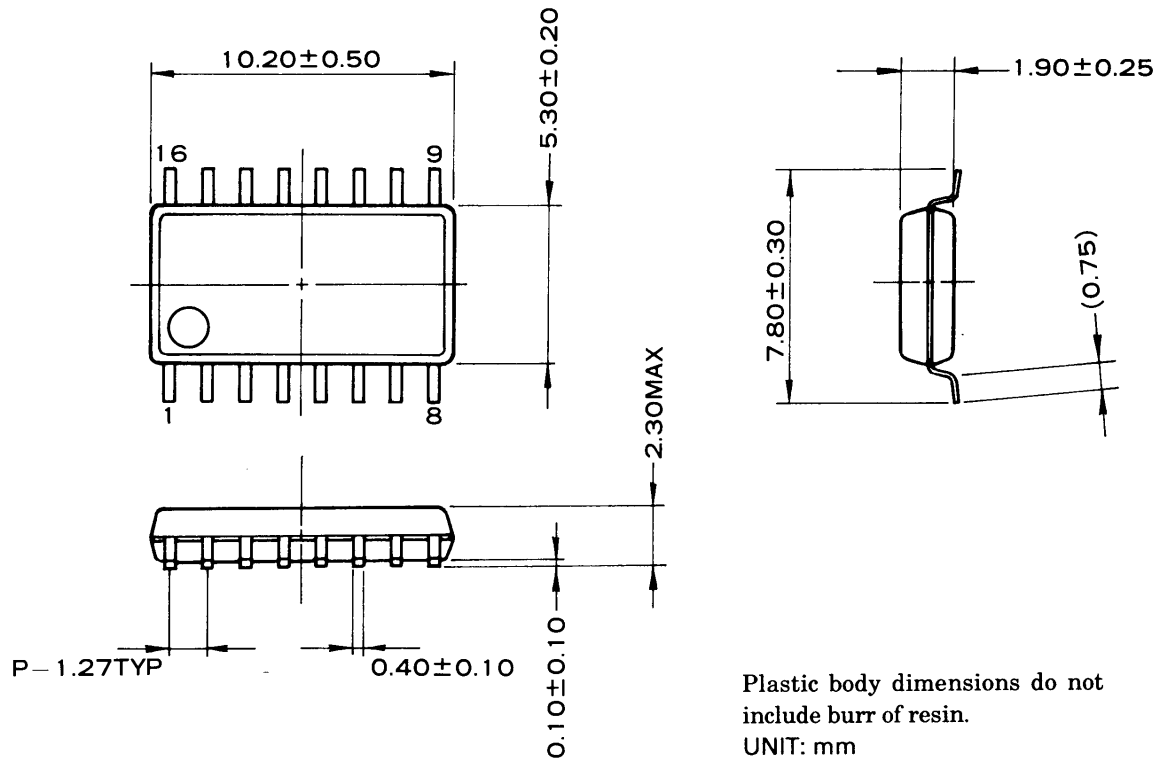




■ EXTERNAL DIMENSIONS

- YSD221-D





Note : The LSIs for surface mount need especial consideration on strage and soldering conditions. For detailed information, please contact your nearest agent of yamaha.

IMPORTANT NOTICE

1. Yamaha reserves the right to make changes to its Products and to this document without notice. The information contained in this document has been carefully checked and is believed to be reliable. However, Yamaha assumes no responsibilities for inaccuracies and makes no commitment to update or to keep current the information contained in this document.

2. These Yamaha Products are designed only for commercial and normal industrial applications, and are not suitable for other uses, such as medical life support equipment, nuclear facilities, critical care equipment or any other application the failure of which could lead to death, personal injury or environmental or property damage. Use of the Products in any such application is at the customer's sole risk and expense.

3. YAMAHA ASSUMES NO LIABILITY FOR INCIDENTAL, CONSEQUENTIAL OR SPECIAL DAMAGES OR INJURY THAT MAY RESULT FROM MISAPPLICATION OR IMPROPER USE OR OPERATION OF THE PRODUCTS.

4. YAMAHA MAKES NO WARRANTY OR REPRESENTATION THAT THE PRODUCTS ARE SUBJECT TO INTELLECTUAL PROPERTY LICENSE FROM YAMAHA OR ANYTHIRD PARTY, AND YAMAHA MAKES NO WARRANTY OR REPRESENTATION OF NON-INFRINGEMENT WITH RESPECT TO THE PRODUCTS. YAMAHA SPECIFICALLY EXCLUDES ANY LIABILITY TO THE CUSTOMER OR ANY THIRD PARTY ARISING FROM OR RELATED TO THE PRODUCTS' INFRINGEMENT OF ANY THIRD PARTY'S INTELLECTUAL PROPERTY RIGHTS, INCLUDING THE PATENT, COPYRIGHT, TRADEMARK OR TRADE SECRET RIGHTS OF ANY THIRD PARTY.

5. EXAMPLES OF USE DESCRIBED HEREIN ARE MERELY TO INDICATE THE CHARACTERISTICS AND PERFORMANCE OF YAMAHA PRODUCTS. YAMAHA ASSUMES NO RESPONSIBILITY FOR ANY INTELLECTUAL PROPERTY CLAIMS OR OTHER PROBLEMS THAT MAY RESULT FROM APPLICATIONS BASED ON THE EXAMPLES DESCRIBED HEREIN. YAMAHA MAKES NO WARRANTY WITH RESPECT TO THE PRODUCTS, EXPRESS OR IMPLIED, INCLUDING, BUT NOT LIMITED TO THE WARRANTIES OF MERCHANTABILITY, FITNESS FOR A PARTICULAR USE AND TITLE.

Note) The specifications of this product are subject to improvement changes without prior notice.

AGENCY

YAMAHA CORPORATION

**Address inquiries to:
Semiconductor Sales & Marketing Department**

- Head Office 203, Matsunokijima, Toyooka-mura,
Iwata-gun, Shizuoka-ken, 438-0192
Tel. +81-539-62-4918 Fax. +81-539-62-5054
- Tokyo Office 2-17-11, Takanawa, Minato-ku,
Tokyo, 108-8568
Tel. +81-3-5488-5431 Fax. +81-3-5488-5088
- Osaka Office Namba Tsujimoto Nissei Bldg. 4F
1-13-17, Namba Naka, Naniwa-ku,
Osaka City, Osaka, 556-0011
Tel. +81-6-6633-3690 Fax. +81-6-6633-3691
- U.S.A. Office YAMAHA Systems Technology
100 Century Center Court, San Jose,
CA 95112
Tel. +1-408-467-2300 Fax. +1-408-437-8791