

15Watts Open Frame Single Output



NAD-150X series

Feature:

- 90 to 264Vac universal input range.
- UL/CUL, TUV, CE safety approval.
- EMI/RFI meet VDE & FCC limit B.
- Low cost & compact size.
- 15Watts in 98.3×46×27mm Size.
- 2 Year Warranty.

Specifications: typical at nominal line, full load at 25°C.

| Input Specifications: | General Specifications: |
|--|--|
| Input voltage: 90 to 264Vac | Efficiency: 70% typical at full load |
| Input Frequency: 47 Hz to 63Hz | Hold-up time: 15ms @ 115Vac full load |
| Input inrush current: 20A at 115Vac 40A at 230Vac | EMI/RFI: VDE & FCC Class B limits |
| Earth leakage: 0.2mA max @ 115Vac 0.4mA max @ 230Vac | Dielectric Withstand: Input/output: 3000Vac Input/Ground: 1500Vac |
| Output Specifications: | *Safety Approval: UL/CUL UL60950 TUV EN60950 CE EN55022&50082-1 |
| Output Rating: See Rating Charts | |
| Output Voltage Accuracy: ± 5% max. | |
| Line Regulation: ± 1% max | Switching frequency: 20kHz(reference) |
| Load Regulation: ± 1% max. (Full to half load) | Weight: 150g(5.3Oz) |
| Transient Response: ± 1% max.dev. (Full to half load) 500uS recovery | MTBF: 100,000hours(MIL-HDBK-217F) |
| Temperature Coefficient: ± 0.04% / °C | Environmental Specifications: |
| Ripple & Noise: 2% P-P max | Operating temperature: 0 to +50°C |
| Protections: a. Short circuit protection b. Over power protection c. Over voltage protection | Storage temperature: -20 to +85°C |
| | Humidity: 5 to 95 % RH non-condensing |
| | Vibration: 2.4G , 5 to 500Hz |
| | Cooling: Free air convection |

Note:

1. Vibration test: Three orthogonal axes, random vibration, 10 minutes for each axis.
 2. Maximum output power is 15W.
 3. At least 20% of load is required to obtain stable regulation.
 4. Ripple & noise test method is measured at output terminal across a 0.1uF ceramic cap & a 10uF tantalum or electrolytic cap in parallel with a 20MHz bandwidth oscilloscope directly.
- ★ Please refer the safety approval status on appendix 1, For latest safety approval status Please consult YCL or visit" www.ycl.com.tw"

15Watts Open Frame Single Output



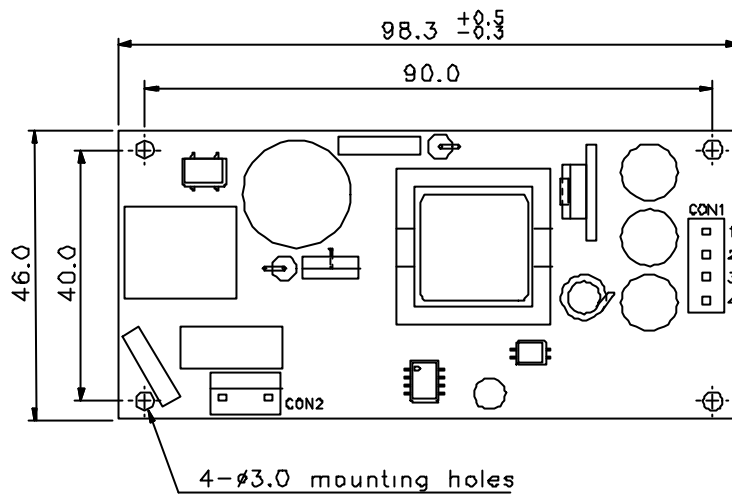
NAD-150X series

| Model No. | Output Voltage | Output Current Minimum | Output Current Maximum | Max. Power |
|-----------|----------------|------------------------|------------------------|------------|
| NAD-1501 | 5V | 0mA | 3000mA | 15W |
| NAD-1502 | 12V | 0mA | 1250mA | 15W |
| NAD-1503 | 15V | 0mA | 1000mA | 15W |
| NAD-1504 | 24V | 0mA | 625mA | 15W |
| NAD-1505 | 3.3V | 0mA | 4000mA | 15W |

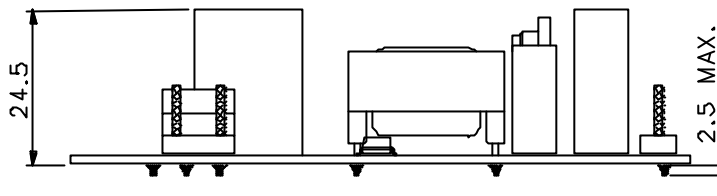
Note:

1. Other output voltage versions available. Please Consult factory for details.

Dimensions: mm \pm 0.5mm



DC output pin
1,2 : -OUT
3,4 : +OUT



- AC mating connector is Molex 5096-02C , Ever 8673-03N2 or equivalent.
- DC mating connector is Molex 09-67-4041 , Ever 8675-04 or equivalent.