

# 15Watts Open Frame Dual Output NAD-151X series



## Feature:

- 90 to 264Vac universal input range.
- UL/CUL, CSA, TUV, CE safety approval.
- EMI/RFI meet VDE & FCC limit B.
- Low cost & compact size.
- 15Watts in 98.3×46×27mm Size.
- 2 Year Warranty.

## Specifications: typical at nominal line, full load at 25°C.

Input Specifications:	General Specifications:
<b>Input voltage:</b> 90 to 264Vac	<b>Efficiency:</b> 70% typical at full load
<b>Input Frequency:</b> 47 Hz to 63Hz	<b>Hold-up time:</b> 15ms @ 115Vac full load
<b>Input inrush current:</b> 20A at 115Vac 40A at 230Vac	<b>EMI/RFI:</b> VDE & FCC Class B limits
<b>Earth leakage:</b> 0.2mA max @ 115Vac 0.4mA max @ 230Vac	<b>Dielectric Withstand:</b> Input/output: 3000Vac Input/Ground: 1500Vac
<b>Output Specifications:</b>	<b>*Safety Approval:</b> UL/CUL UL60950 CSA 22.2-234/950 TUV EN60950 CE EN55022 & EN50082-1
<b>Output Rating:</b> See selection table	
<b>Output Voltage Accuracy :</b> ± 5% max.	
<b>Line Regulation:</b> ± 1% max.	
<b>Load Regulation:</b> ± 3% max. (Full to half load)	<b>Switching frequency:</b> 20Khz(reference)
<b>Transient Response:</b> ± 1% max.dev. (Full to half load) 500uS recovery	<b>Weight:</b> 150g(5.3Oz)
<b>Temperature Coefficient:</b> ± 0.04% / °C	<b>MTBF:</b> 100,000hours(MIL-HDBK-217F)
<b>Ripple &amp; Noise:</b> 2% P-P max.	<b>Environmental Specifications:</b>
<b>Protections:</b> a. Over power protection b. Short circuit protection c. Over voltage protection	<b>Operating temperature:</b> 0 to +50°C
	<b>Storage temperature:</b> -20 to +85°C
	<b>Humidity:</b> 5 to 95 % RH non-condensing
	<b>Vibration:</b> 2.4G , 5 to 500Hz
	<b>Cooling:</b> Free air convection

Note:

1. Vibration test: Three orthogonal axes, random vibration, 10 minutes for each axis.
  2. Maximum output power is 15W.
  3. At least 20% of load is required to obtain stable regulation.
  4. Ripple & noise test method is measured at output terminal across a 0.1uF ceramic cap & a 10uF tantalum or electrolytic cap in parallel with a 20MHz bandwidth oscilloscope directly.
- \* Please refer the safety approval status on appendix 1, For latest safety approval status Please consult YCL or visit" [www.ycl.com.tw](http://www.ycl.com.tw)"

# 15Watts Open Frame Dual Output NAD-151X series



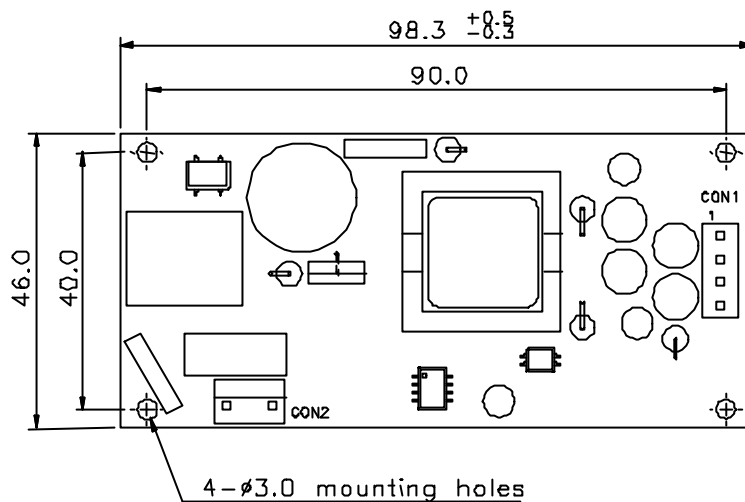
## Model Selection Table:

Model No.	Output Voltage Vo1/Vo2	Output Current Typical	Max. Power
NAD-1511	+5V/-5V	+1500mA/-1500mA	15W
NAD-1512	+5V/+12V	+1500mA/+500mA	15W
NAD-1516	+15V/-15V	+500mA/-500mA	15W
NAD-1517	+3.3V/+5V	+3000mA/+1000mA	15W

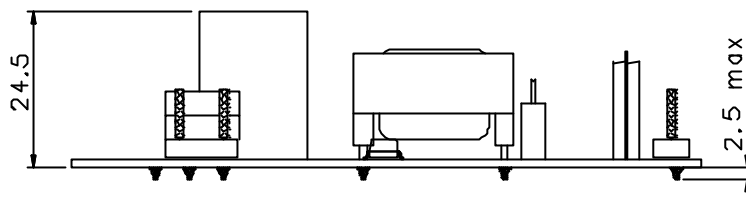
Note:

1. Other output voltage versions available. Please Consult factory for details.

## Dimensions: mm $\pm$ 0.5mm



PIN	Function
1	Vo1
2	COM
3	COM
4	Vo2



- AC mating connector is Molex 5096-02C, Ever 8673-03N2 ,or equivalent.
- DC mating connector is Molex 09-67-4041, Ever 8675-04 or equivalent.