

Model No: NAD-22

Feature:

- 90 to 264Vac universal input range.
- UL/CUL, TUV, safety approval.
- EMI/RFI meet VDE & FCC limit B.
- Low cost & compact size.
- Input with inlet socket.
- 35Watts in 152.6×80×33.1mm size.
- 2 Year Warranty.

Specifications: typical at nominal line, full load at 25 ° C.

Input Specifications:	General Specifications:
Input voltage: 90 to 264Vac	Efficiency: 70% typical at full load
Input Frequency: 47 Hz to 63Hz	Hold-up time: 12ms @ 115Vac full load
Input inrush current: 20A at 115Vac 40A at 230Vac	EMI/RFI: VDE & FCC Class B limits
Earth leakage: 0.2mA max @ 115Vac 0.4mA max @ 230Vac	Dielectric Withstand: Input/output: 3000Vac Input/Ground: 1500Vac
Output Specifications:	*Safety Approval: UL/CUL UL60950 TUV EN60950
Output Rating: Vo1: +5V/3A Vo2: +3.3V/6A	
Output Voltage Accuracy : ± 5% max.	
Line Regulation: ± 1% max.	Switching frequency: 20kHz(reference)
Load Regulation: ± 3% max. (Full to half load)	Weight: 280g
Transient Response: ± 1% max.dev. (Full to half load) 500uS recovery	MTBF: 100,000hours(MIL-HDBK-217F)
Temperature Coefficient: ± 0.04% / °C	Environmental Specifications:
Ripple & Noise: 100mVp-p max.	Operating temperature: 0 to +50°C
Protections: a. Over voltage protection b. Over power protection c. Short circuit protection	Storage temperature: -20 to +85°C
	Humidity: 5 to 95 % RH non-condensing
	Vibration: 2.4G , 5 to 500Hz
	Cooling: Free air convection

Note:

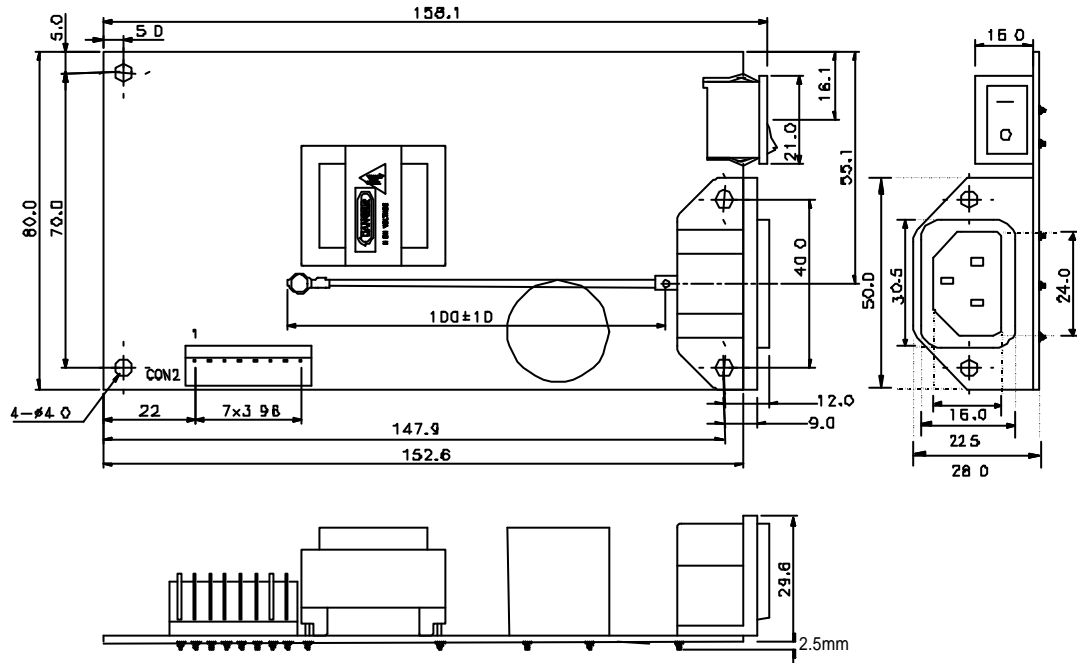
1. Vibration test: Three orthogonal axes, random vibration, 10 minutes for each axis.
 2. Maximum output power is 35W.
 3. At least 20% of load is required to obtain stable regulation.
 4. Ripple & noise test method is measured at output terminal across a 0.1uF ceramic cap & a 10uF tantalum or electrolytic cap in parallel with a 20MHz bandwidth oscilloscope directly.
- * Please refer the safety approval status on appendix 1, For latest safety approval status Please consult YCL or visit" www.ycl.com.tw"

35Watts 3.3V & 5V Open Frame Dual Output



Model No: NAD-22

Dimensions: mm \pm 0.5mm



P/n	FUNCTION	P/n	FUNCTION
1	COM	5	+3.3V
2	COM	6	+3.3V
3	COM	7	+5V
4	+3.3V	8	+5V

- DC output mating connector is Molex 09-65-2088, Ever 8673-08 or equivalent.
- AC input socket : Super com SC-9R , Inalways 0714, Rongfeng SS-7B or equivalent.