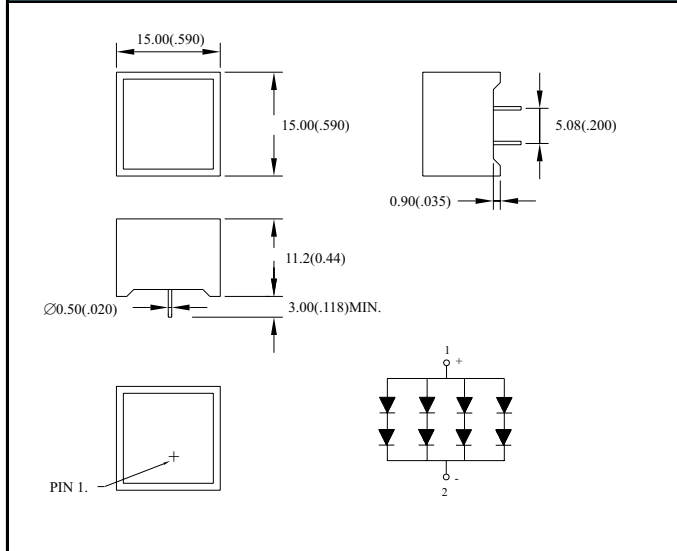
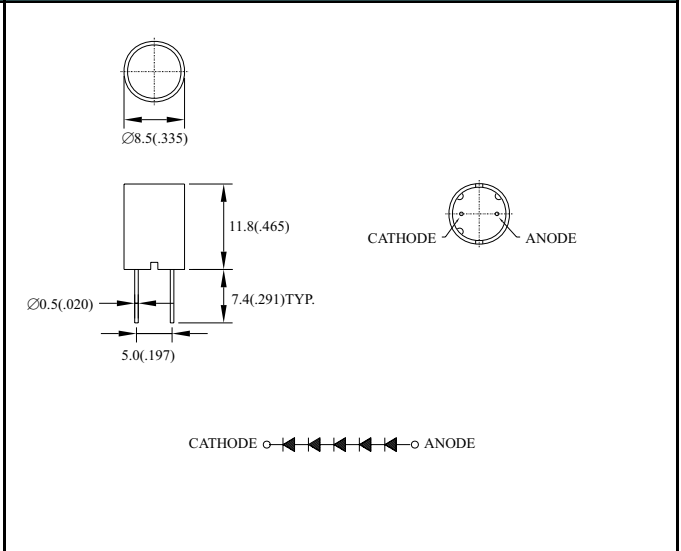
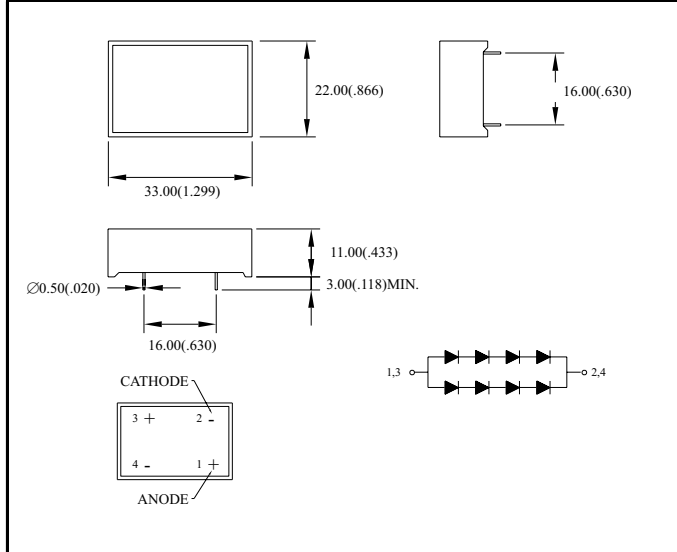
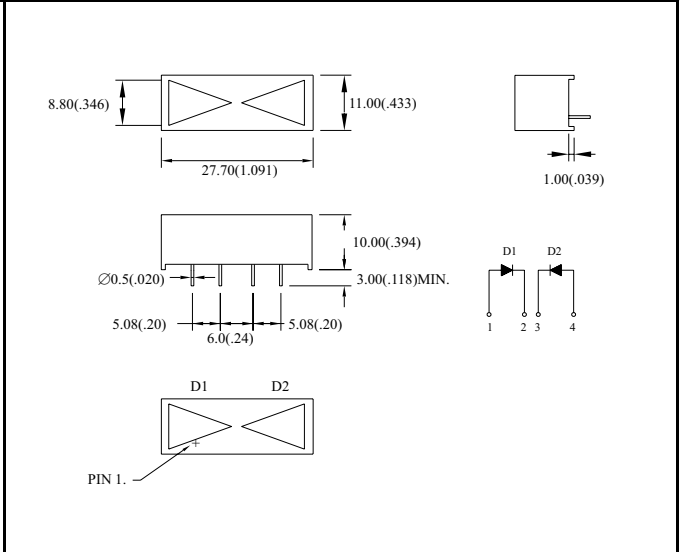
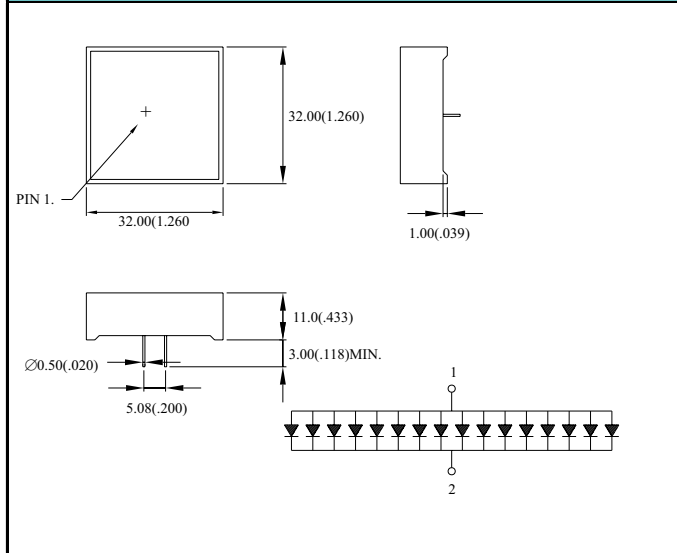
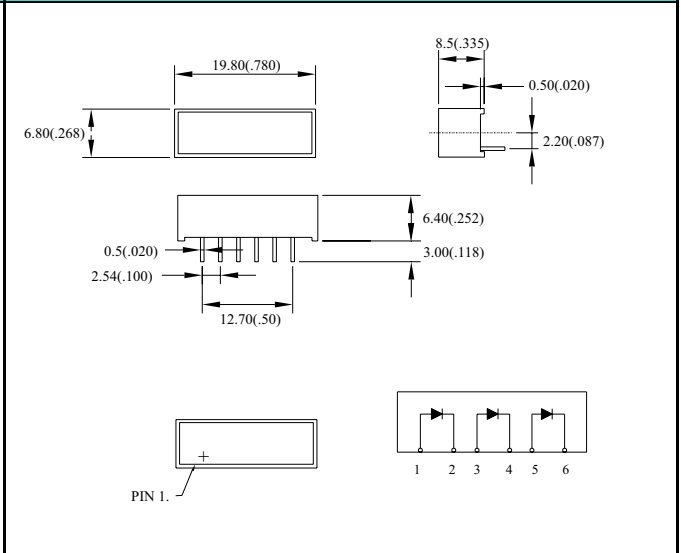




LED LIGHT BAR & BAR GRAPH ARRAYS

Digit Size	Part No.		Chip		Absolute Maximum Ratings				Electro-optical Data(At 10mA)			Drawing No.
	Common Anode	Common Cathode	Material/Emitted Color	Peak Wave Length λ_p (nm)	$\Delta \lambda$ (nm)	Pd (mw)	If (mA)	Ifp (mA)	Vf (v)		Iv. Typ. Per.Seg. (mcd)	
									Typ.	Max.		
15.0*15.0mm Light Bar	BA-8R7UW-D		GaAsP/Red	655	40	160	40	200	3.4	4.0	6.0	AD-13
	BA-8H7UW-D		GaP/ Bright Red	700	90	80	15	50	4.4	5.0	8.0	
	BA-8G7UW-D		GaP/ Green	568	30	160	30	150	4.4	5.0	16.0	
	BA-8Y7UW-D		GaAsP/GaP/ Yellow	585	35	160	30	150	4.2	5.0	14.0	
	BA-8E7UW-D		GaAsP/GaP/ Hi-Eff.Red	635	45	160	30	150	4.0	5.0	16.0	
			GaAsP/GaP/ Orange									
	BA-8S7UW-D		GaAlAs/ SH Super Red	660	20	160	30	150	3.4	5.0	20.0	
BA-8D7UW-D		GaAlAs/ DH Super Red	660	20	160	30	150	3.4	5.0	24.0		
Cylindrical ϕ 8.50 Light Bar	BA-5R8UW		GaAsP/Red	655	40	400	40	200	8.5	10.0	5.0	AD-14
	BA-5H8UW		GaP/ Bright Red	700	90	195	15	50	11.0	12.5	8.0	
	BA-5G8UW		GaP/ Green	568	30	390	30	150	11.0	12.5	7.0	
	BA-5Y8UW		GaAsP/GaP/ Yellow	585	35	390	30	150	10.5	12.5	8.0	
	BA-5E8UW		GaAsP/GaP/ Hi-Eff.Red	635	45	390	30	150	10.0	12.5	10.0	
			GaAsP/GaP/ Orange									
	BA-5S8UW		GaAlAs/ SH Super Red	660	20	390	30	150	8.5	12.5	12.0	
BA-5D8UW		GaAlAs/ DH Super Red	660	20	390	30	150	8.5	12.5	20.0		
33.0*22.0mm Light Bar	BA-8R9UW		GaAsP/Red	655	40	320	40	200	6.8	8.0	3.0	AD-15
	BA-8H9UW		GaP/ Bright Red	700	90	160	15	50	9.2	10.0	6.0	
	BA-8G9UW		GaP/ Green	568	30	310	30	150	9.2	10.0	8.0	
	BA-8Y9UW		GaAsP/GaP/ Yellow	585	35	310	30	150	8.4	10.0	7.0	
	BA-8E9UW		GaAsP/GaP/ Hi-Eff.Red	635	45	310	30	150	8.0	10.0	8.0	
			GaAsP/GaP/ Orange									
	BA-8S9UW		GaAlAs/ SH Super Red	660	20	310	30	150	6.8	10.0	12.0	
BA-8D9UW		GaAlAs/ DH Super Red	660	20	310	30	150	6.8	10.0	14.0		
Triangular Light Bar	BA-2R10UW		GaAsP/Red	655	40	80	40	200	1.7	2.0	3.5	AD-16
	BA-2H10UW		GaP/ Bright Red	700	90	40	15	50	2.2	2.5	7.0	
	BA-2G10UW		GaP/ Green	568	30	80	30	150	2.2	2.5	10.0	
	BA-2Y10UW		GaAsP/GaP/ Yellow	585	35	80	30	150	2.1	2.5	9.0	
	BA-2E10UW		GaAsP/GaP/ Hi-Eff.Red	635	45	80	30	150	2.0	2.5	10.0	
			GaAsP/GaP/ Orange									
	BA-2S10UW		GaAlAs/ SH Super Red	660	20	80	30	150	1.7	2.5	15.0	
BA-2D7UW		GaAlAs/ DH Super Red	660	20	80	30	150	1.7	2.5	17.0		
32.0*32.0mm Light Bar	BA-16R11UW		GaAsP/Red	655	40	80	40	200	1.7	2.0	12.0	AD-17
	BA-16H11UW		GaP/ Bright Red	700	90	40	15	50	2.2	2.5	15.0	
	BA-16G11UW		GaP/ Green	568	30	80	30	150	2.2	2.5	20.0	
	BA-16Y11UW		GaAsP/GaP/ Yellow	585	35	80	30	150	2.1	2.5	19.0	
	BA-16E11UW		GaAsP/GaP/ Hi-Eff.Red	635	45	80	30	150	2.0	2.5	20.0	
			GaAsP/GaP/ Orange									
	BA-16S11UW		GaAlAs/ SH Super Red	660	20	80	30	150	1.7	2.5	24.0	
BA-16D11UW		GaAlAs/ DH Super Red	660	20	80	30	150	1.7	2.5	26.0		
6.80*19.8mm Light Bar	BA-3R12UW		GaAsP/Red	655	40	80	40	200	1.7	2.0	4.0	AD-18
	BA-3H12UW		GaP/ Bright Red	700	90	40	15	50	2.2	2.5	5.0	
	BA-3G12UW		GaP/ Green	568	30	80	30	150	2.2	2.5	9.0	
	BA-3Y12UW		GaAsP/GaP/ Yellow	585	35	80	30	150	2.1	2.5	8.0	
	BA-3E12UW		GaAsP/GaP/ Hi-Eff.Red	635	45	80	30	150	2.0	2.5	9.0	
			GaAsP/GaP/ Orange									
	BA-3S12UW		GaAlAs/ SH Super Red	660	20	80	30	150	1.7	2.5	12.0	
BA-3D12UW		GaAlAs/ DH Super Red	660	20	80	30	150	1.7	2.5	14.0		

LED LIGHT BAR & BAR GRAPH ARRAYS

AD-13 BA- 8x7UW-D	AD-14 BA- 5x8UW
	
AD-15 BA- 8x9UW	AD-16 BA- 2x10UW
	
AD-17 BA-16x11UW	AD-18 BA- 3x12UW
	

NOTES: 1.All Dimensions are in millimeters(inches).
3.Specifications are subject to change without notice.

2.Tolerance is $\pm 0.25\text{mm}(.010^\circ)$.
4.NP:No Pin. 5.NC:No Connect.