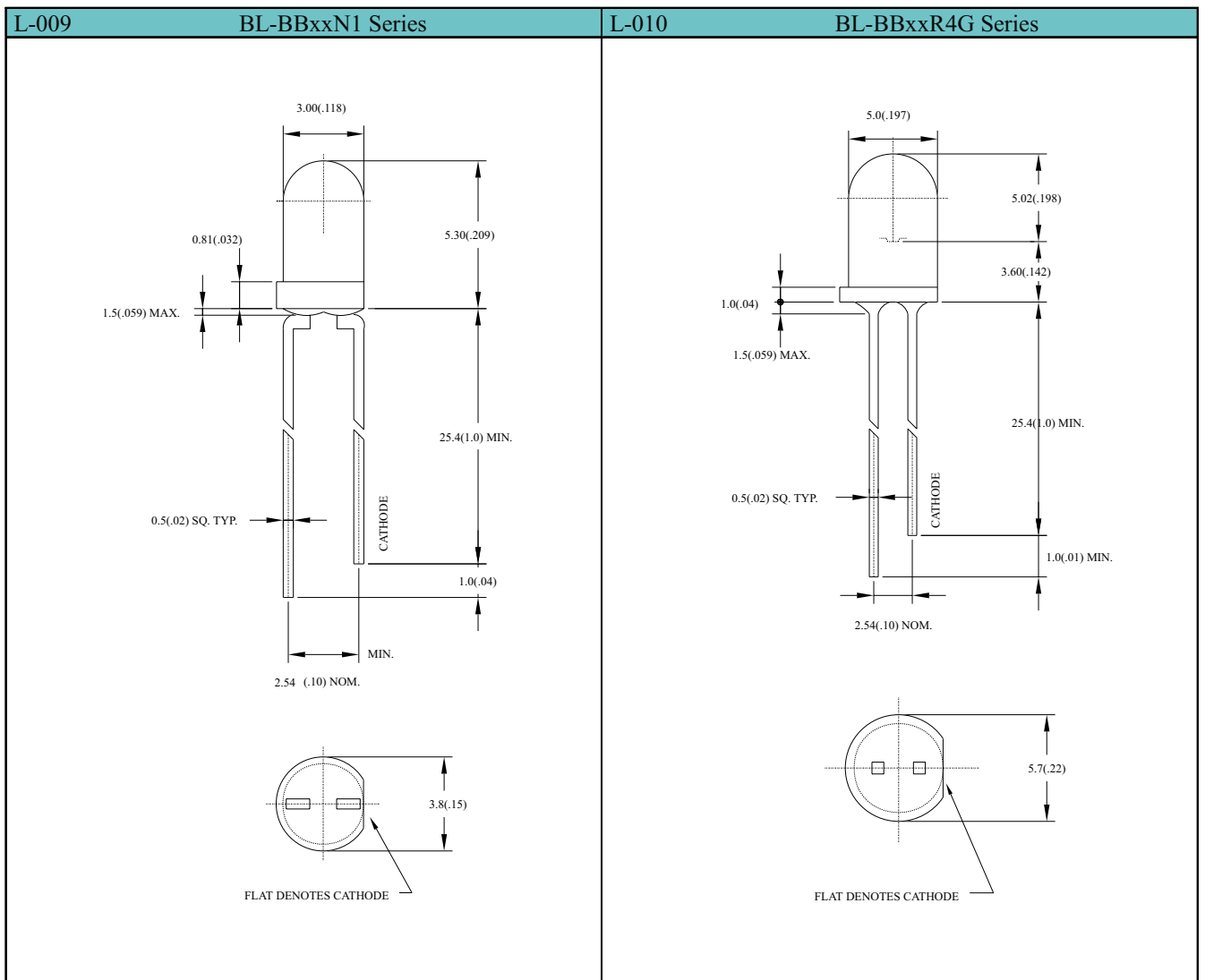




BLUE LED LAMPS

Package	Part No.	Chip			Lens Appearance	Absolute Maximum Ratings				Electro-optical Data(At 20mA)			Viewing Angle 2θ 1/2 (deg)	Drawing No.
		Material	Emitted Color	Peak Wave Length λ p(nm)		Δ λ (nm)	Pd (mw)	If (mA)	Peak (mA)	Vf (V)		Iv (mcd)		
										Typ	Max	Typ.		
T-1 Standard 1.0" Lead 3φ	BL-BB03N1	GaN/ SiC	Super Blue	430	Water Clear	65	150	25	70	4.0	4.5	60	30	L-009
	BL-BB13N1	InGaN/ SiC		470		30	120	30	100	3.6	4.0	300		
	BL-BB23N1	InGaN/ SiC		450		30	120	30	100	3.6	4.0	300		
	BL-BB04N1	GaN/ SiC		430	Blue Trans	65	150	30	100	4.5	5.5	60		
	BL-BB14N1	InGaN/ SiC		470		30	120	30	100	3.6	4.0	300		
	BL-BB24N1	InGaN/ SiC		450		30	120	30	100	3.6	4.0	300		
T-1 3/4 Standard 1.0" Lead 5φ	BL-BB03R4G	GaN/ SiC	Super Blue	430	Water Clear	65	150	25	70	4.0	4.5	130	15	L-010
	BL-BB13R4G	InGaN/ SiC		470		30	120	30	100	3.6	4.0	500		
	BL-BB23R4G	InGaN/ SiC		450		30	120	30	100	3.6	4.0	500		
	BL-BB04R4G	GaN/ SiC		430	Blue Trans	65	150	30	100	4.5	5.5	60		
	BL-BB14R4G	InGaN/ SiC		470		30	120	30	100	3.6	4.0	300		
	BL-BB24R4G	InGaN/ SiC		450		30	120	30	100	3.6	4.0	300		

Remark : 1.Hi-Eff Red / High-Efficiency Red.
 2.Trans / Transparent.
 3.2θ 1/2 The off-axis angle at which the luminous intensity is half the axial luminous intensity.



Notes : 1.All Dimensions are millimeters (inches).
 2.Tolerance is 0.25mm (.010").