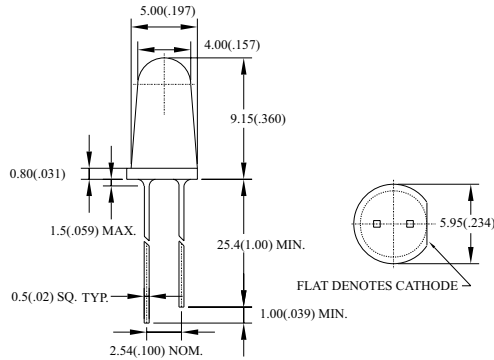
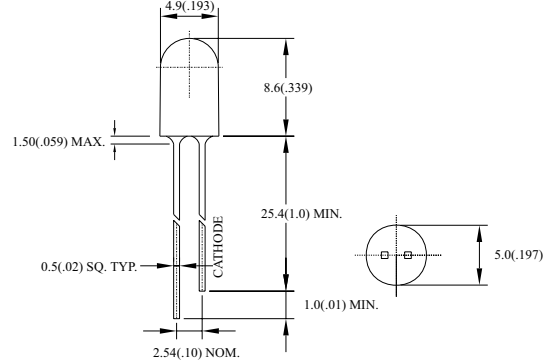
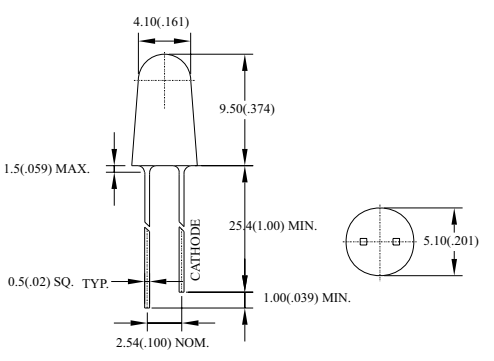
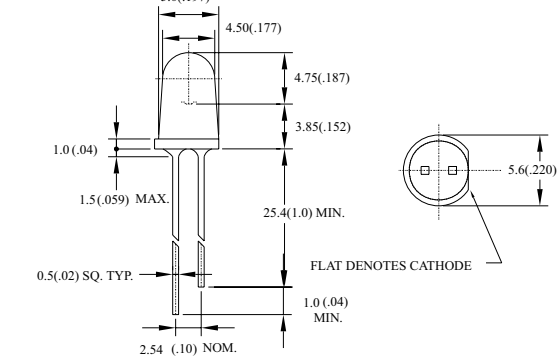
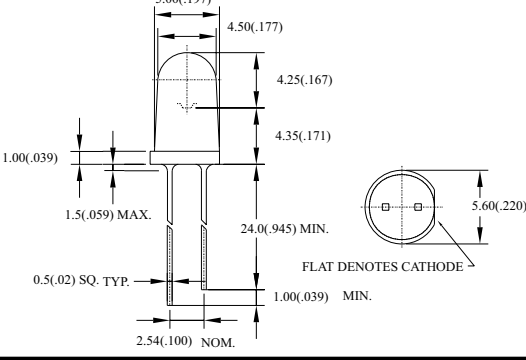
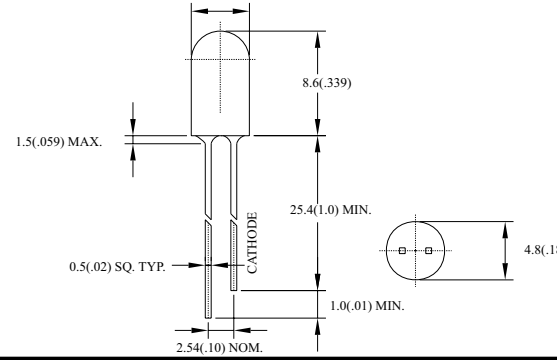
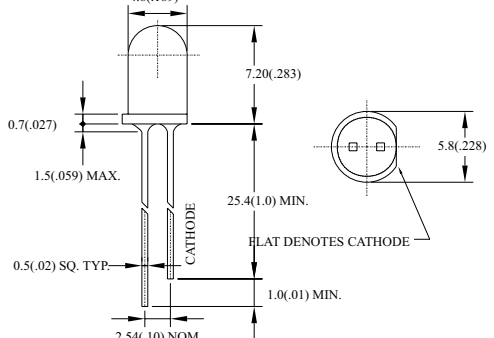
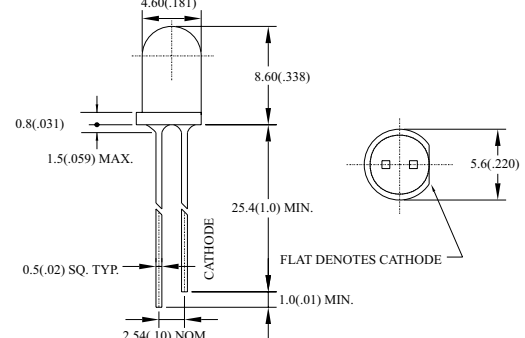




STANDARD LED LAMPS(ROUND TYPES)

Package	Part No.	Chip		Lens Appearance	Absolute Maximum Ratings				Electro-optical Data(At 20mA)			Viewing Angle 2θ 1/2 (deg)	Drawing No.
		Material/ Emitted Color	Peak Wave Length λ _p (nm)		Δλ (nm)	Pd (mw)	If (mA)	Peak (mA)	V _f (V)		I _v (mcd)		
									Typ	Max	Typ.		
T1 3/4 Narrow Viewing Angle 1.0" Lead 5.2 φ	BL-B1137B	GaAsP/GaAs/ Red	655	Red Diffused	40	80	40	200	1.7	2.0	3.0	40	L-049
	BL-B5137B	GaP/GaP/ Bright Red	700		90	40	15	50	2.2	2.6	7.0		
	BL-B4537B	GaAsP/GaP/ Hi-Eff Red	635	45	80	30	150	2.0	2.6	90.0			
	BL-B2137B	GaP/GaP/ Green	568	Green Diffused	30	80	30	150	2.2	2.6	90.0		
	BL-B3137B	GaAsP/GaP/ Yellow	585	Yellow Diffused	35	80	30	150	2.1	2.6	80.0		
	BL-B4137B	GaAsP/GaP/ Orange	635	Orange Diffused	45	80	30	150	2.0	2.6	90.0		
T1 3/4 Flangeless 1.0" Lead 5.0 φ	BL-B9137B	GaP/GaP/ Pure Green	555	Green Diffused	25	80	30	150	2.2	2.6	2.0	35	L-050
	BL-B4537D	GaAsP/GaP/ Hi-Eff Red	635	Red Diffused	45	80	30	150	2.0	2.6	90.0		
	BL-B2137D	GaP/GaP/ Green	568	Green Diffused	30	80	30	150	2.2	2.6	90.0		
	BL-B3137D	GaAsP/GaP/ Yellow	585	Yellow Diffused	35	80	30	150	2.1	2.6	80.0		
	BL-B4537D	GaAsP/GaP/ Hi-Eff Red	635	Orange Diffused	45	80	30	150	2.0	2.6	90.0		
	BL-B3337D	GaAsP/GaP/ Yellow	585	Water Clear	35	80	30	150	2.1	2.6	150.0		
BL-B2337D	GaP/GaP/ Green	568	30		80	30	150	2.2	2.6	180.0			
BL-B4337D	GaAsP/GaP/ Orange	635	45	80	30	150	2.0	2.6	180.0				
T1 3/4 Flangeless 1.0" Lead 5.2 φ	BL-B1137E	GaAsP/GaAs/ Red	655	Red Diffused	40	80	40	200	1.7	2.0	3.0	35	L-051
	BL-B5137E	GaP/GaP/ Bright Red	700		90	40	15	50	2.2	2.6	5.0		
	BL-B4537E	GaAsP/GaP/ Hi-Eff Red	635	45	80	30	150	2.0	2.6	50.0			
	BL-B2137E	GaP/GaP/ Green	568	Green Diffused	30	80	30	150	2.2	2.6	50.0		
	BL-B3137E	GaAsP/GaP/ Yellow	585	Yellow Diffused	35	80	30	150	2.1	2.6	45.0		
	BL-B4137E	GaAsP/GaP/ Orange	635	Orange Diffused	45	80	30	150	2.0	2.6	50.0		
BL-B9137E	GaP/GaP/ Pure Green	555	Green Diffused	25	80	30	150	2.2	2.6	15.0			
T1 3/4 Narrow Viewing Angle 1.0" Lead 5.0 φ	BL-B4537M	GaAsP/GaP/ Hi-Eff Red	635	Red Diffused	45	80	30	150	2.0	2.6	90.0	30	L-052
	BL-B2137M	GaP/GaP/ Green	568	Green Diffused	30	80	30	150	2.2	2.6	90.0		
	BL-B3137M	GaAsP/GaP/ Yellow	585	Yellow Diffused	35	80	30	150	2.1	2.6	80.0		
	BL-B4137M	GaAsP/GaP/ Orange	635	Orange Diffused	45	80	30	150	2.0	2.6	90.0		
	BL-B3337M	GaAsP/GaP/ Yellow	585	Water Clear	35	80	30	150	2.1	2.6	150.0		
	BL-B2337M	GaP/GaP/ Green	568		30	80	30	150	2.2	2.6	180.0		
BL-B4337M	GaAsP/GaP/ Orange	635	45	80	30	150	2.0	2.6	180.0				
T1 3/4 1.0" Lead 5.0 φ	BL-B1137M-1	GaAsP/GaAs/ Red	655	Red Diffused	40	80	40	200	1.7	2.0	3.0	45	L-053
	BL-B5137M-1	GaP/GaP/ Bright Red	700		90	40	15	50	2.2	2.6	5.0		
	BL-B4537M-1	GaAsP/GaP/ Hi-Eff Red	635	45	80	30	150	2.0	2.6	50.0			
	BL-B2137M-1	GaP/GaP/ Green	568	Green Diffused	30	80	30	150	2.2	2.6	50.0		
	BL-B3137M-1	GaAsP/GaP/ Yellow	585	Yellow Diffused	35	80	30	150	2.1	2.6	45.0		
	BL-B2337M-1	GaP/GaP/ Green	568	Water Clear	30	80	30	150	2.2	2.6	150.0		
BL-B4337M-1	GaAsP/GaP/ Orange	635	45		80	30	150	2.0	2.6	150.0			
T1 3/4 Flangeless 1.0" Lead 4.8 φ	BL-B4537N	GaAsP/GaP/ Hi-Eff Red	635	Red Diffused	45	80	30	150	2.0	2.6	65.0	45	L-054
	BL-B2137N	GaP/GaP/ Green	568	Green Diffused	30	80	30	150	2.2	2.6	65.0		
	BL-B3137N	GaAsP/GaP/ Yellow	585	Yellow Diffused	35	80	30	150	2.1	2.6	55.0		
	BL-B4137N	GaAsP/GaP/ Orange	635	Orange Diffused	45	80	30	150	2.0	2.6	65.0		
	BL-B2337N	GaP/GaP/ Green	568	Water Clear	30	80	30	150	2.2	2.6	100.0		
	BL-B3337N	GaAsP/GaP/ Yellow	585		35	80	30	150	2.1	2.6	80.0		
BL-B4637N	GaAsP/GaP/ Hi-Eff Red	635	Red Trans	45	80	30	150	2.0	2.6	100.0			
1.0"Lead 4.8 φ	BL-B1138	GaAsP/GaAs/ Red	655	Red Diffused	40	80	40	200	1.7	2.0	3.0	40	L-055
	BL-B5138	GaP/GaP/ Bright Red	700		90	40	15	50	2.2	2.6	5.0		
	BL-B4538	GaAsP/GaP/ Hi-Eff Red	635	45	80	30	150	2.0	2.6	60.0			
	BL-B2138	GaP/GaP/ Green	568	Green Diffused	30	80	30	150	2.2	2.6	60.0		
	BL-B3138	GaAsP/GaP/ Yellow	585	Yellow Diffused	35	80	30	150	2.1	2.6	55.0		
	BL-B2438	GaP/GaP/ Green	568	Green Trans	30	80	30	150	2.0	2.6	90.0		
1.0"Lead 4.6 φ	BL-B5138A	GaP/GaP/ Bright Red	700	Red Diffused	90	40	15	50	2.2	2.6	6.0	35	L-056
	BL-B4538A	GaAsP/GaP/ Hi-Eff Red	635		45	80	30	150	2.0	2.6	70.0		
	BL-B2138A	GaP/GaP/ Green	568	Green Diffused	30	80	30	150	2.2	2.6	70.0		
	BL-B3138A	GaAsP/GaP/ Yellow	585	Yellow Diffused	35	80	30	150	2.1	2.6	60.0		
BL-B2438A	GaP/GaP/ Green	568	Green Trans	30	80	30	150	2.0	2.6	100.0	20		

Remark : 1.Hi-Eff Red / High-Efficiency Red.
 2. Trans / Transparent.
 3. 2θ 1/2 The off-axis angle at which the luminous intensity is half the axial luminous intensity.

L-049 BL-Bxx37B Series	L-050 BL-Bxx37D Series
	
L-051 BL-Bxx37E Series	L-052 BL-Bxx37M Series
	
L-053 BL-Bxx37M-1 Series	L-054 BL-Bxx37N Series
	
L-055 BL-Bxx38 Series	L-056 BL-Bxx38A Series
	

Notes : 1.All Dimensions are in millimeters (inches).
2.Tolerance is $\pm 0.25\text{mm}$ (.010").