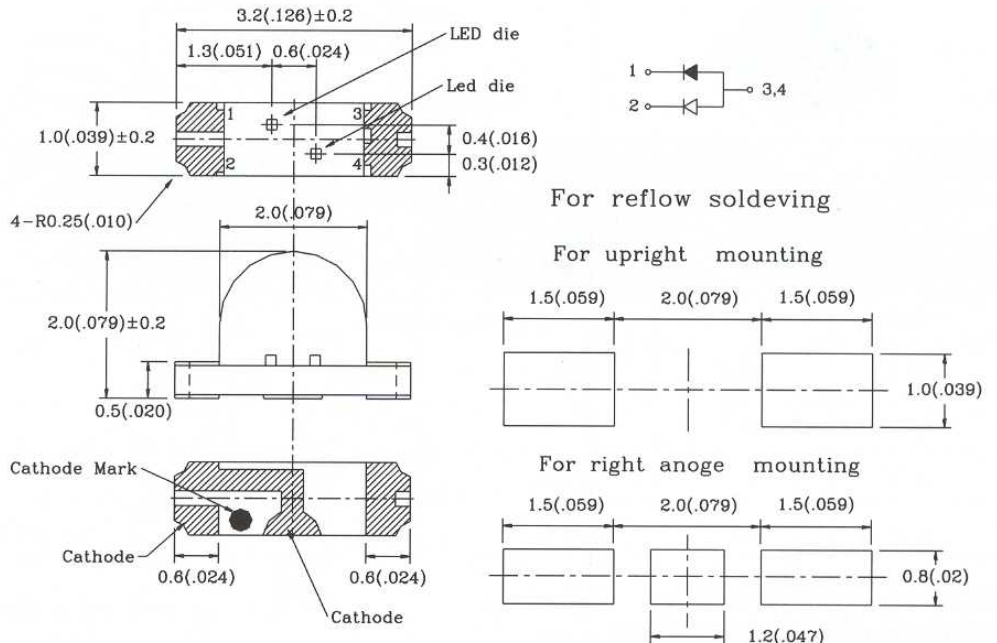


SURFACE MOUNT DUAL COLOR LED LAMPS



Right Angle Lens Bi-Color BL-Hxxxxx4B Series



1 Absolute Maximum Ratings (Ta=25°C)

	UNIT	SPEC.
IF	mA	30
IFp	mA	100
VR	V	5
Topr	°C	-25~+80
Tstg	°C	-30~+85

NOTE:
 1. All dimensions are in millimeters (inches).
 2. Tolerance is ±0.10 (0.004") unless otherwise specified.
 3. Specifications are subject to change without notice.

Part No.	Chip				Lens Appearance	Electro-optical Data (At 20mA)				Viewing Angle 2θ 1/2 (deg)
	Material	Emitted Color	λp (nm)	λd (nm)		Vf(V)		Iv(mcd)		
						Typ.	Max.	Min.	Typ.	
BL-HB4KB34B	InGaN	Super Blue	470	470	Water Clear	3.5	4.0	42.0	70.0	100
	AlGaInP	Super Yellow	590	587		2.1	2.6	42.0	70.0	
BL-HBAKB34B	InGaN	Super Blue	470	470		3.5	4.0	42.0	70.0	
	AlGaInP	Super Yellow	590	587		2.1	2.6	42.0	70.0	
BL-HBAY034B	InGaN	Super Blue	470	470		3.5	4.0	42.0	70.0	
	GaAsP/GaP	Yellow	583	585		2.1	2.6	3.7	12.0	
BL-HD1X134B	GaAlAs/GaAs	Super Red	660	643		1.8	2.6	8.2	25.0	
	GaP/GaP	Hi-Eff Green	568	570		2.2	2.6	5.5	20.0	
BL-HE1G034B	GaAsP/GaP	Hi-Eff Red	640	628		2.0	2.6	5.5	15.0	
	GaP/GaP	Green	568	571		2.2	2.6	3.7	12.0	
BL-HE1Y34B	GaAsP/GaP	Hi-Eff Red	640	628		2.0	2.6	5.5	15.0	
	GaAsP/GaP	Yellow	583	585		2.1	2.6	3.7	12.0	