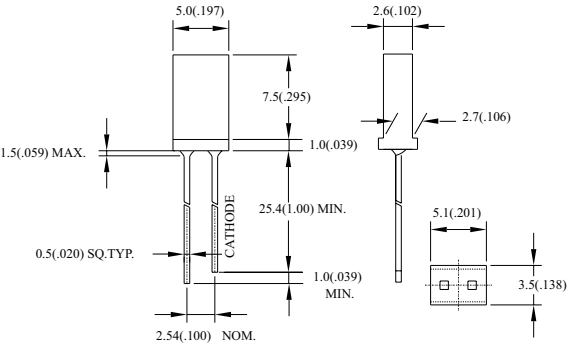
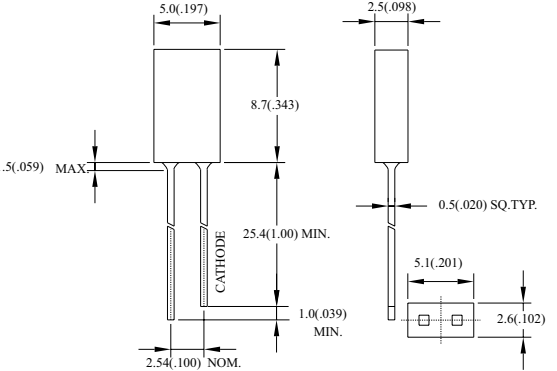
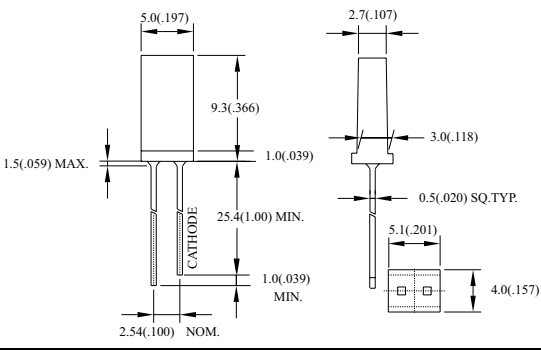
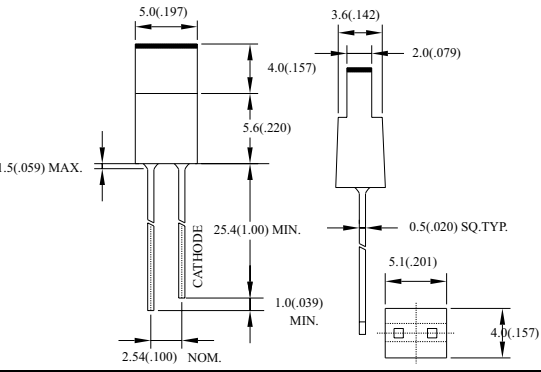
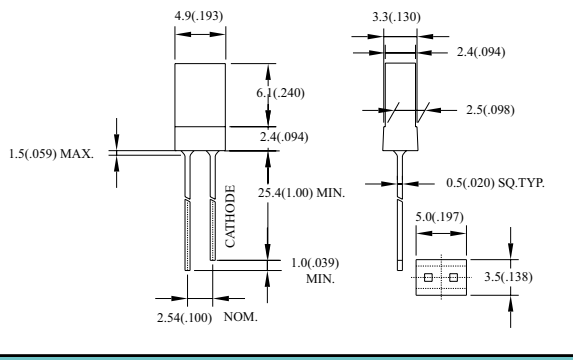
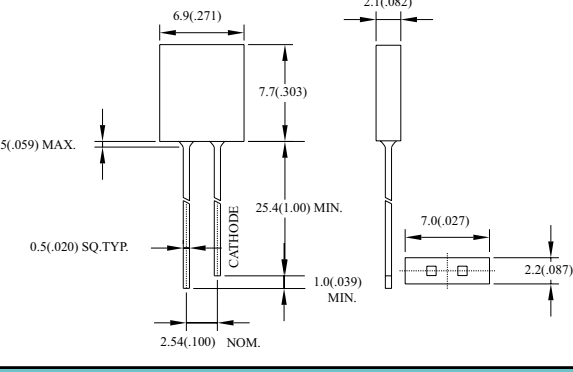
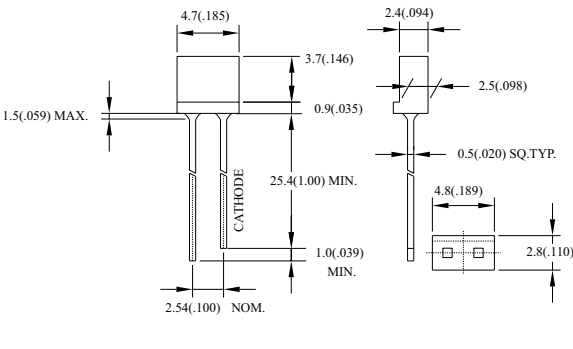
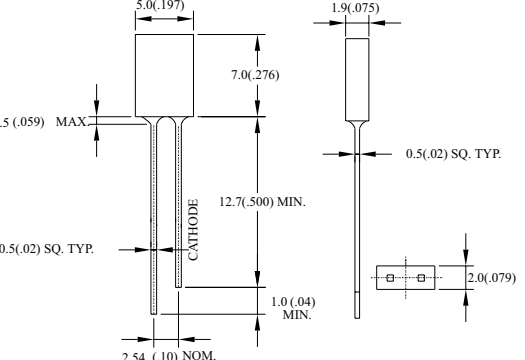




STANDARD LED LAMPS(RECTANGULAR TYPES)

| Package | Part No. | Chip | | Lens Appearance | Absolute Maximum Ratings | | | | Electro-optical Data(At 20mA) | | | Viewing Angle 2θ 1/2 (deg) | Drawing No. |
|--------------------------------------|-----------|-------------------------|-------------------------|-----------------|--------------------------|---------|---------|-----------|-------------------------------|-----|----------|----------------------------|-------------|
| | | Material/ Emitted Color | Peak Wave Length λp(nm) | | Δλ (nm) | Pd (mw) | If (mA) | Peak (mA) | Vf (V) | | Iv (mcd) | | |
| | | | | | | | | | Typ | Max | Typ. | | |
| 2.6x5.0x 8.5mm 1.0" Lead Rectangular | BL-R1132D | GaAsP/GaAs/ Red | 655 | Red Diffused | 40 | 80 | 40 | 200 | 1.7 | 2.0 | 0.6 | 130 | L-073 |
| | BL-R5132D | GaP/GaP/ Bright Red | 700 | | 90 | 40 | 15 | 50 | 2.2 | 2.6 | 1.0 | | |
| | BL-R4532D | GaAsP/GaP/ Hi-Eff Red | 635 | | 45 | 80 | 30 | 150 | 2.0 | 2.6 | 7.0 | | |
| | BL-R2132D | GaP/GaP/ Green | 568 | Green Diffused | 30 | 80 | 30 | 150 | 2.2 | 2.6 | 7.0 | | |
| | BL-R3132D | GaAsP/GaP/ Yellow | 585 | Yellow Diffused | 35 | 80 | 30 | 150 | 2.1 | 2.6 | 6.0 | | |
| | BL-R4132D | GaAsP/GaP/ Orange | 635 | Orange Diffused | 45 | 80 | 30 | 150 | 2.0 | 2.6 | 7.0 | | |
| | BL-R9132D | GaP/GaP/ Pure Green | 555 | Green Diffused | 25 | 80 | 30 | 150 | 2.2 | 2.6 | 0.5 | | |
| 2.5x5.0x 8.7mm 1.0" Lead Rectangular | BL-R1132E | GaAsP/GaAs/ Red | 655 | Red Diffused | 40 | 80 | 40 | 200 | 1.7 | 2.0 | 0.5 | 130 | L-074 |
| | BL-R5132E | GaP/GaP/ Bright Red | 700 | | 90 | 40 | 15 | 50 | 2.2 | 2.6 | 0.8 | | |
| | BL-R4532E | GaAsP/GaP/ Hi-Eff Red | 635 | | 45 | 80 | 30 | 150 | 2.0 | 2.6 | 7.0 | | |
| | BL-R2132E | GaP/GaP/ Green | 568 | Green Diffused | 30 | 80 | 30 | 150 | 2.2 | 2.6 | 7.0 | | |
| | BL-R3132E | GaAsP/GaP / Yellow | 585 | Yellow Diffused | 35 | 80 | 30 | 150 | 2.1 | 2.6 | 6.0 | | |
| | BL-R4132E | GaAsP/GaP / Orange | 635 | Orange Diffused | 45 | 80 | 30 | 150 | 2.0 | 2.6 | 7.0 | | |
| | BL-R9132E | GaP/GaP/ Pure Green | 555 | Green Diffused | 25 | 80 | 30 | 150 | 2.2 | 2.6 | 0.5 | | |
| 3.0x5.0x 10mm 1.0" Lead Rectangular | BL-R1132F | GaAsP/GaAs/ Red | 655 | Red Diffused | 40 | 80 | 40 | 200 | 1.7 | 2.0 | 0.8 | 125 | L-075 |
| | BL-R5132F | GaP/GaP/ Bright Red | 700 | | 90 | 40 | 15 | 50 | 2.2 | 2.6 | 1.2 | | |
| | BL-R4132F | GaAsP/GaP/ Hi-Eff Red | 635 | | 45 | 80 | 30 | 150 | 2.0 | 2.6 | 5.0 | | |
| | BL-R2132F | GaP/GaP/ Green | 568 | Green Diffused | 30 | 80 | 30 | 150 | 2.2 | 2.6 | 5.0 | | |
| | BL-R3132F | GaAsP/GaP / Yellow | 585 | Yellow Diffused | 35 | 80 | 30 | 150 | 2.1 | 2.6 | 4.5 | | |
| | BL-R8132F | GaAsP/GaP/ Amber | 610 | Orange Diffused | 35 | 80 | 30 | 150 | 2.0 | 2.6 | 4.5 | | |
| | BL-R9132F | GaP/GaP / Pure Green | 555 | Green Diffused | 25 | 80 | 30 | 150 | 2.2 | 2.6 | 0.8 | | |
| 2.0x5.0x 7.8mm 1.0" Lead Rectangular | BL-R1132H | GaAsP/GaAs/ Red | 655 | Red Diffused | 40 | 80 | 40 | 200 | 1.7 | 2.0 | 0.8 | 125 | L-076 |
| | BL-R5132H | GaP/GaP/ Bright Red | 700 | | 90 | 40 | 15 | 50 | 2.2 | 2.6 | 1.6 | | |
| | BL-R4532H | GaAsP/GaP/ Hi-Eff Red | 635 | | 45 | 80 | 30 | 150 | 2.0 | 2.6 | 5.0 | | |
| | BL-R2132H | GaP/GaP/ Green | 568 | Green Diffused | 30 | 80 | 30 | 150 | 2.2 | 2.6 | 5.0 | | |
| | BL-R3132H | GaAsP/GaP / Yellow | 585 | Yellow Diffused | 35 | 80 | 30 | 150 | 2.1 | 2.6 | 4.5 | | |
| | BL-R4132H | GaAsP/GaP / Orange | 635 | Orange Diffused | 25 | 80 | 30 | 150 | 2.0 | 2.6 | 5.0 | | |
| | BL-R9132H | GaP/GaP/ Pure Green | 555 | Green Diffused | 30 | 80 | 30 | 150 | 2.2 | 2.6 | 0.8 | | |
| 2.4x5.0x 8.4mm 1.0" Lead Rectangular | BL-R1132J | GaAsP/GaAs/ Red | 655 | Red Diffused | 40 | 80 | 40 | 200 | 1.7 | 2.0 | 0.6 | 125 | L-077 |
| | BL-R5132J | GaP/GaP/ Bright Red | 700 | | 90 | 40 | 15 | 50 | 2.2 | 2.6 | 1.0 | | |
| | BL-R4532J | GaAsP/GaP/ Hi-Eff Red | 635 | | 45 | 80 | 30 | 150 | 2.0 | 2.6 | 6.0 | | |
| | BL-R2132J | GaP/ GaP Green | 568 | Green Diffused | 30 | 80 | 30 | 150 | 2.2 | 2.6 | 6.0 | | |
| | BL-R3132J | GaAsP/GaP / Yellow | 585 | Yellow Diffused | 35 | 80 | 30 | 150 | 2.1 | 2.6 | 5.0 | | |
| | BL-R4132J | GaAsP/GaP / Orange | 635 | Orange Diffused | 25 | 80 | 30 | 150 | 2.0 | 2.6 | 6.0 | | |
| | BL-R9132J | GaP/GaP / Pure Green | 555 | Green Diffused | 30 | 80 | 30 | 150 | 2.2 | 2.6 | 0.6 | | |
| 2.1x6.9x 7.7mm 1.0" Lead Rectangular | BL-R1132K | GaAsP/GaAs/ Red | 655 | Red Diffused | 40 | 80 | 40 | 200 | 1.7 | 2.0 | 0.6 | 125 | L-078 |
| | BL-R5132K | GaP/GaP/ Bright Red | 700 | | 90 | 40 | 15 | 50 | 2.2 | 2.6 | 1.0 | | |
| | BL-R4532K | GaAsP/GaP/ Hi-Eff Red | 635 | | 45 | 80 | 30 | 150 | 2.0 | 2.6 | 7.0 | | |
| | BL-R2132K | GaP/ GaP Green | 568 | Green Diffused | 30 | 80 | 30 | 150 | 2.2 | 2.6 | 7.0 | | |
| | BL-R3132K | GaAsP/ GaP/ Yellow | 585 | Yellow Diffused | 35 | 80 | 30 | 150 | 2.1 | 2.6 | 6.0 | | |
| | BL-R4132K | GaAsP/GaP/ Orange | 635 | Orange Diffused | 45 | 80 | 30 | 150 | 2.0 | 2.6 | 7.0 | | |
| | BL-R9132K | GaP/GaP / Pure Green | 555 | Green Diffused | 25 | 80 | 30 | 150 | 2.2 | 2.6 | 0.6 | | |
| 2.4x4.8x 4.6mm 1.0" Lead Rectangular | BL-R1132L | GaAsP/GaAs/ Red | 655 | Red Diffused | 40 | 80 | 40 | 200 | 1.7 | 2.0 | 0.4 | 125 | L-079 |
| | BL-R5132L | GaP/GaP/ Bright Red | 700 | | 90 | 40 | 15 | 50 | 2.2 | 2.6 | 0.6 | | |
| | BL-R4532L | GaAsP/GaP/ Hi-Eff Red | 635 | | 45 | 80 | 30 | 150 | 2.0 | 2.6 | 4.0 | | |
| | BL-R2132L | GaP/GaP/ Green | 568 | Green Diffused | 30 | 80 | 30 | 150 | 2.2 | 2.6 | 4.0 | | |
| | BL-R3132L | GaAsP/GaP/ Yellow | 585 | Yellow Diffused | 35 | 80 | 30 | 150 | 2.1 | 2.6 | 3.0 | | |
| | BL-R4132L | GaAsP/GaP/ Orange | 635 | Orange Diffused | 25 | 80 | 30 | 150 | 2.0 | 2.6 | 0.6 | | |
| 2.0x5.0x 7.0mm 0.5" Lead Rectangular | BL-R1122N | GaAsP/GaAs/ Red | 655 | Red Diffused | 40 | 80 | 40 | 200 | 1.7 | 2.0 | 0.5 | 140 | L-080 |
| | BL-R5122N | GaP/GaP/ Bright Red | 700 | | 90 | 40 | 15 | 50 | 2.2 | 2.6 | 0.7 | | |
| | BL-R4522N | GaAsP/GaP/ Hi-Eff Red | 635 | | 45 | 80 | 30 | 150 | 2.0 | 2.6 | 4.5 | | |
| | BL-R2122N | GaP/GaP/ Green | 568 | Green Diffused | 30 | 80 | 30 | 150 | 2.2 | 2.6 | 4.5 | | |
| | BL-R3122N | GaAsP/GaP / Yellow | 585 | Yellow Diffused | 35 | 80 | 30 | 150 | 2.1 | 2.6 | 3.5 | | |

Remark : 1.Hi-Eff Red / High-Efficiency Red.
 2.Trans / Transparent.
 3.2 θ 1/2 The off-axis angle at which the luminous intensity is half the axial luminous intensity.

| | |
|--|---|
| <p>L-073 BL-Rxx32D Series</p>  | <p>L-074 BL-Rxx32E Series</p>  |
| <p>L-075 BL-Rxx32F Series</p>  | <p>L-076 BL-Rxx32H Series</p>  |
| <p>L-077 BL-Rxx32J Series</p>  | <p>L-078 BL-Rxx32K Series</p>  |
| <p>L-079 BL-Rxx32L Series</p>  | <p>L-080 BL-Rxx22N Series</p>  |

Notes : 1.All Dimensions are in millimeters (inches).
2.Tolerance is $\pm 0.25\text{mm}$ (.010").