



Z86E21

CMOS Z8® OTP MICROCONTROLLER

GENERAL DESCRIPTION

The Z86E21 microcontroller (MCU) introduces the next level of sophistication to single-chip architecture. The Z86E21 is a member of the Z8 single-chip microcontroller family with 8 Kbytes of EPROM and 236 bytes of general purpose RAM.

The Z86E21 is a pin compatible, One-Time-Programmable (OTP) version of the Z86C21. The Z86E21 contains 8 Kbytes of EPROM memory in place of the 8 Kbyte of ROM on the Z86C21.

The MCU is housed in a 40-pin DIP, 44-pin Leaded Chip-Carrier, or a 44-pin Quad Flat Pack, and is manufactured in CMOS technology. The ROMless pin option is available on the 44-pin versions only. The MCU can address both external memory and preprogrammed ROM which enables this Z8 microcomputer to be used in high volume applications or where code flexibility is required.

Zilog's CMOS microcontroller offers fast execution, efficient use of memory, sophisticated interrupts, input/output bit manipulation capabilities, and easy hardware/software system expansion along with low cost and low power consumption.

The Z86E21 architecture is based on Zilog's 8-bit microcontroller core. The device offers a flexible I/O scheme, an efficient register and address space structure, multiplexed capabilities between address/data, I/O, and a number of ancillary features that are useful in many industrial and advanced scientific applications.

The device applications demand powerful I/O capabilities. The Z86E21 fulfills this with 32-pin dedicated to input and output. These lines are grouped into four ports. Each port consists of eight lines, and is configurable under software control to provide timing, status signals, serial or parallel I/O with or without handshake, and an address/data bus for interfacing external memory.

There are three basic address spaces available to support this wide range of configuration: Program Memory, Data Memory and 236 General-Purpose registers.

To unburden the program from coping with real-time problems such as counting/timing and serial data communication, the Z86E21 offers two on-chip counter/timers with a large number of user selectable modes, and an asynchronous receiver/transmitter (UART) (see Functional Block Description).

In ROM Protect Mode, the instructions LDC, LDCI, LDE and LDEI are disabled when reading address locations %0000 to %1FFF.

Notes:

All Signals with a preceding front slash, "/", are active Low, e.g.: B/W (WORD is active Low); /B/W (BYTE is active Low, only).

Power connections follow conventional descriptions below:

Connection	Circuit	Device
Power	V _{CC}	V _{DD}
Ground	GND	V _{SS}

PRODUCT RECOMMENDATIONS

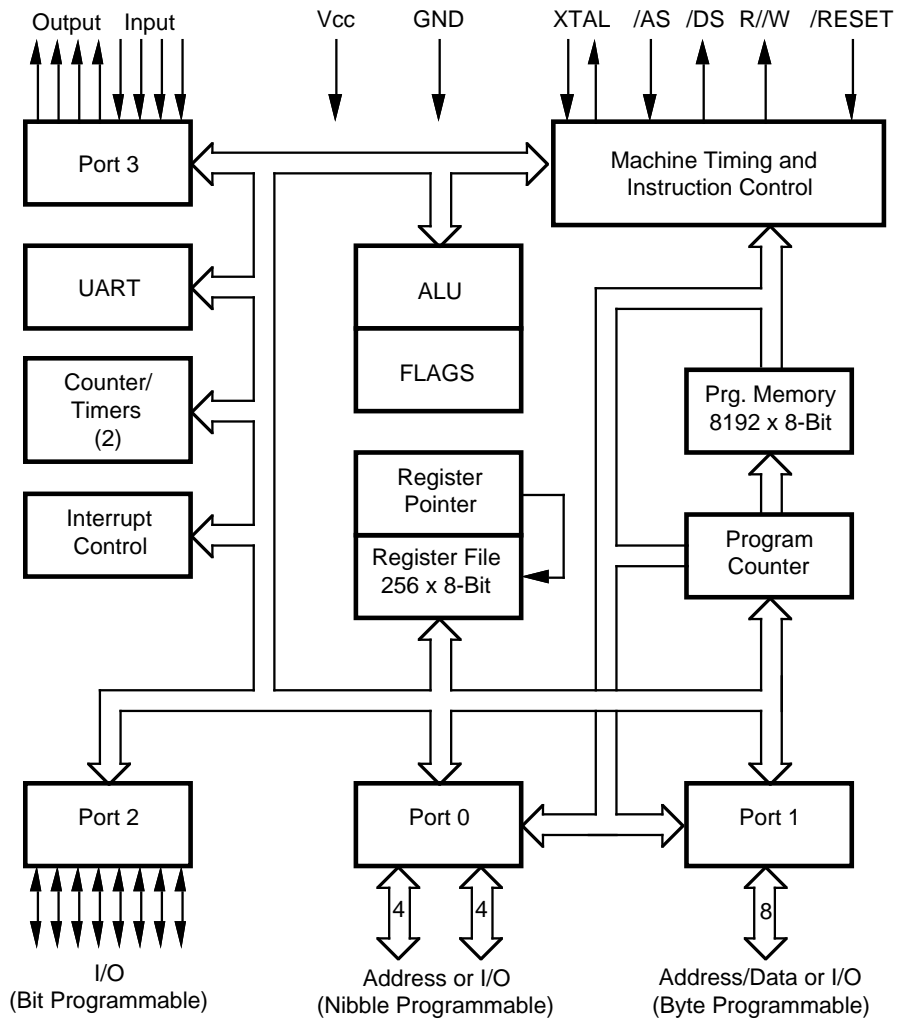
Zilog recommends the following programming equipment for use with this One-Time-Programmable product:

Device	Zilog Support Tool	Recommended Revision Level	
		Hardware	Software
Z86E21	Z86C1200ZEM ICEBOX™ Emulator* (*Does not support 4K/8K option.)	B	1.5
Z86E21	Data I/O 3900 Programmer* (*Does not support option bits.)		1.1
Z86E21	Data I/O Unisite Programmer* (*Does not support option bits.)		3.7

Some non-Zilog programmers may have different programming waveforms, voltages and timings and not all programmers may meet the programming requirements of Zilog's One-Time-Programmable products.

If difficulty is encountered in programming a Zilog OTP product, please contact your local Zilog sales office.

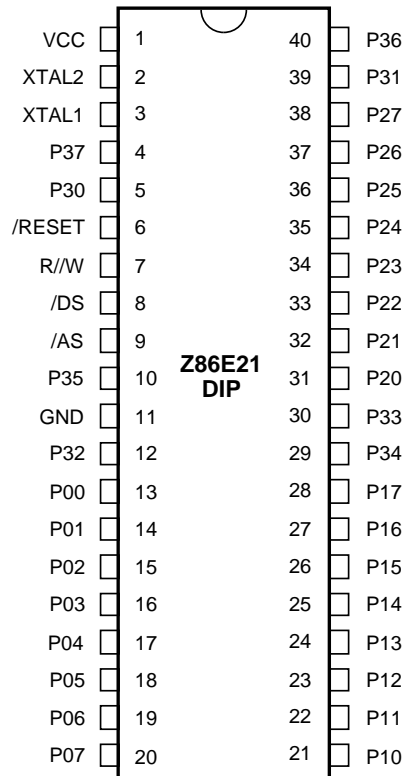
GENERAL DESCRIPTION (Continued)



Functional Block Diagram

PIN DESCRIPTION

Standard Mode

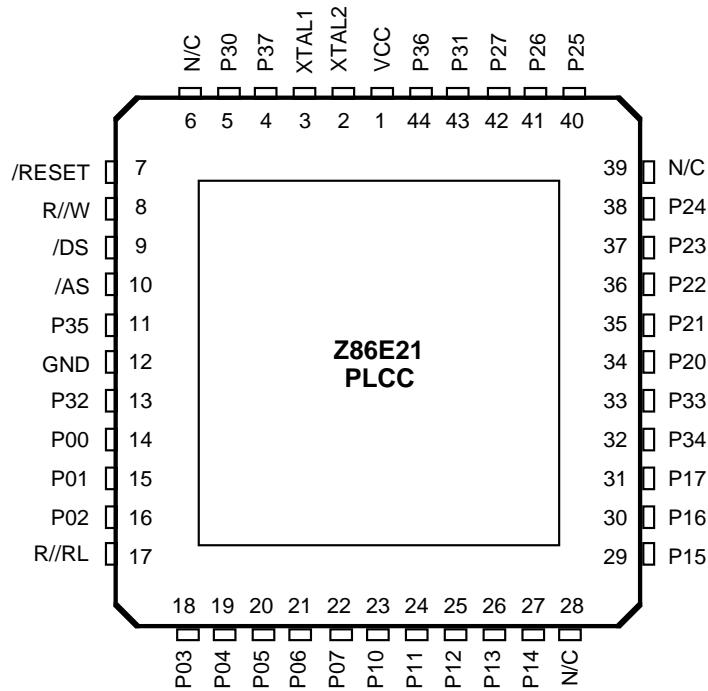


40-Lead DIP Pin Assignments

40-Lead DIP Pin Identification

Pin #	Symbol	Function	Direction	Pin #	Symbol	Function	Direction
1	V _{CC}	Power Supply	Input	11	GND	Ground, GND	Input
2	XTAL2	Crystal, Oscillator Clock	Output	12	P32	Port 3 pin 2	Input
3	XTAL1	Crystal, Oscillator Clock	Input	13-20	P00-P07	Port 0 pin 0,1,2,3,4,5,6,7	In/Output
4	P37	Port 3 pin 7	Output	21-28	P10-P17	Port 1 pin 0,1,2,3,4,5,6,7	In/Output
5	P30	Port 3 pin 0	Input	29	P34	Port 3 pin 4	Output
6	/RESET	Reset	Input	30	P33	Port 3 pin 3	Input
7	R/W	Read/Write	Output	31-38	P20-P27	Port 2 pin 0,1,2,3,4,5,6,7	In/Output
8	/DS	Data Strobe	Output	39	P31	Port 3 pin 1	Input
9	/AS	Address Strobe	Output	40	P36	Port 3 pin 6	Output
10	P35	Port 3 pin 5	Output				

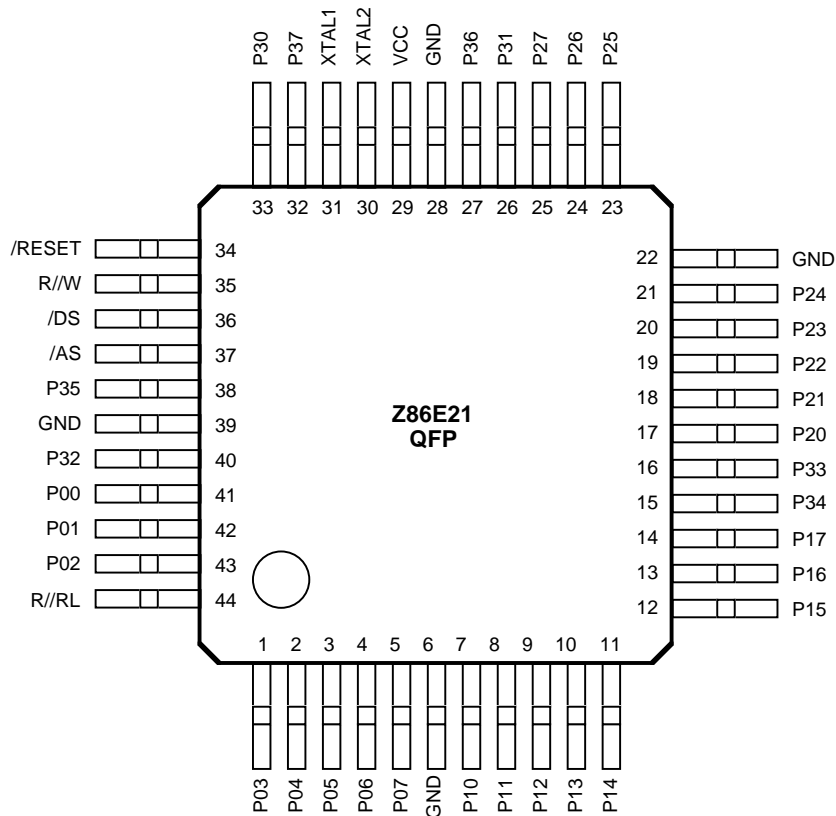
PIN DESCRIPTION (Continued)
Standard Mode



44-Lead PLCC Pin Assignments

44-Lead PLCC Pin Identification

Pin #	Symbol	Function	Direction	Pin #	Symbol	Function	Direction
1	V _{CC}	Power Supply	Input	14-16	P00-P02	Port 0 pin 0,1,2	In/Output
2	XTAL2	Crystal, Oscillator Clock	Output	17	R//RL	ROM/ROMless control	Input
3	XTAL1	Crystal, Oscillator Clock	Input	18-22	P03-P07	Port 0 pin 3,4,5,6,7	In/Output
4	P37	Port 3 pin 7	Output	23-27	P10-P14	Port 1 pin 0,1,2,3,4	In/Output
5	P30	Port 3 pin 0	Input	28	N/C	Not Connected	Input
6	N/C	Not Connected	Input	29-31	P15-P17	Port 1 pin 5,6,7	In/Output
7	/RESET	Reset	Input	32	P34	Port 3 pin 4	Output
8	R/W	Read/Write	Output	33	P33	Port 3 pin 3	Input
9	/DS	Data Strobe	Output	34-38	P20-P24	Port 2 pin 0,1,2,3,4	In/Output
10	/AS	Address Strobe	Output	39	N/C	Not Connected	Input
11	P35	Port 3 pin 5	Output	40-42	P25-P27	Port 2 pin 5,6,7	In/Output
12	GND	Ground, GND	Input	43	P31	Port 3 pin 1	Input
13	P32	Port 3 pin 2	Input	44	P36	Port 3 pin 6	Output



44-Lead QFP Pin Assignments

44-Lead QFP Pin Identification

Pin #	Symbol	Function	Direction	Pin #	Symbol	Function	Direction
1-5	P03-P07	Port 0 pin 3,4,5,6,7	In/Output	31	XTAL1	Crystal, Oscillator Clock	Input
6	GND	Ground, GND	Input	32	P37	Port 3 pin 7	Output
7-14	P10-P17	Port 1 pin 0,1,2,3,4,5,6,7	In/Output	33	P30	Port 3 pin 0	Input
15	P34	Port 3 pin 4	Output	34	/RESET	Reset	Input
16	P33	Port 3 pin 3	Input	35	R//W	Read/Write	Output
17-21	P20-P24	Port 2 pin 0,1,2,3,4	In/Output	36	/DS	Data Strobe	Output
22	GND	Ground, GND	Input	37	/AS	Address Strobe	Output
23-25	P25-P27	Port 2 pin 5,6,7	In/Output	38	P35	Port 3 pin 5	Output
26	P31	Port 3 pin 1	Input	39	GND	Ground, GND	Input
27	P36	Port 3 pin 6	Output	40	P32	Port 3 pin 2	Input
28	GND	Ground, GND	Input	41-43	P00-P02	Port 0 pin 0,1,2	In/Output
29	V _{CC}	Power Supply	Input	44	R//RL	ROM/ROMless control	Input
30	XTAL2	Crystal, Oscillator Clock	Output				

ABSOLUTE MAXIMUM RATINGS

Symbol	Description	Min	Max	Units
V_{CC}	Supply Voltage*	-0.3	+7.0	V
T_{STG}	Storage Temp	-65	+150	C
T_A	Oper Ambient Temp		†	C

Notes:

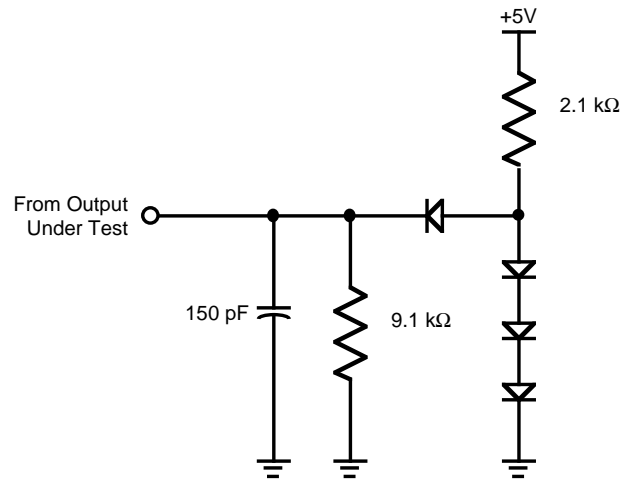
* Voltages on all pins with respect to GND.
13.0 V Maximum on P30-P33.

† See Ordering Information

Stresses greater than those listed under Absolute Maximum Ratings may cause permanent damage to the device. This is a stress rating only; operation of the device at any condition above those indicated in the operational sections of these specifications is not implied. Exposure to absolute maximum rating conditions for an extended period may affect device reliability.

STANDARD TEST CONDITIONS

The characteristics listed below apply for standard test conditions as noted. All voltages are referenced to GND. Positive current flows into the referenced pin (Test Load Diagram).



Test Load Diagram

DC CHARACTERISTICS

Sym. Parameter	$T_A = 0^\circ\text{C}$ to $+70^\circ\text{C}$		$T_A = -40^\circ\text{C}$ to $+105^\circ\text{C}$		Typical @ 25°C	Units	Conditions
	Min	Max	Min	Max			
		7		7		V	$I_{IN} = 250\ \mu\text{A}$
		13		13		V	P30-P33 Only
V_{CH}	3.8	V_{CC}	3.8	V_{CC}		V	Driven by External Clock Generator
V_{CL}	-0.03	0.8	-0.03	0.8		V	Driven by External Clock Generator
V_{IH}	2.0	V_{CC}	2.0	V_{CC}		V	
V_{IL}	-0.3	0.8	-0.3	0.8		V	
V_{OH}	2.4		2.4			V	$I_{OH} = -2.0\ \text{mA}$
V_{OL}		0.4		0.4		V	$I_{OL} = +2.0\ \text{mA}$
V_{RH}	3.8	V_{CC}	3.8	V_{CC}		V	
V_{RL}	-0.03	0.8	-0.03	0.8		V	
I_{IL}	-10	10	-10	10		μA	$0\text{V } V_{IN} +5.25\text{V}$
I_{OL}	-10	10	-10	10		μA	$0\text{V } V_{IN} +5.25\text{V}$
I_{IR}		-50		-50		μA	$V_{CC} = +5.25\text{V}, V_{RL} = 0\text{V}$
I_{CC}		50		50	25	mA	@ 12 MHz
		60		60	35	mA	@ 16 MHz
I_{CC1}	Standby Current	15		15	5	mA	HALT Mode $V_{IN} = 0\text{V}, V_{CC} @ 12\ \text{MHz}$
		20		20	10	mA	HALT Mode $V_{IN} = 0\text{V}, V_{CC} @ 16\ \text{MHz}$
I_{CC2}	Standby Current	20		20	5	μA	STOP Mode $V_{IN} = 0\text{V}, V_{CC} @ 12\ \text{MHz}$
		20		20	5	μA	STOP Mode $V_{IN} = 0\text{V}, V_{CC} @ 16\ \text{MHz}$

Notes:

I_{CC2} requires loading TMR (%F1H) with any value prior to STOP execution.

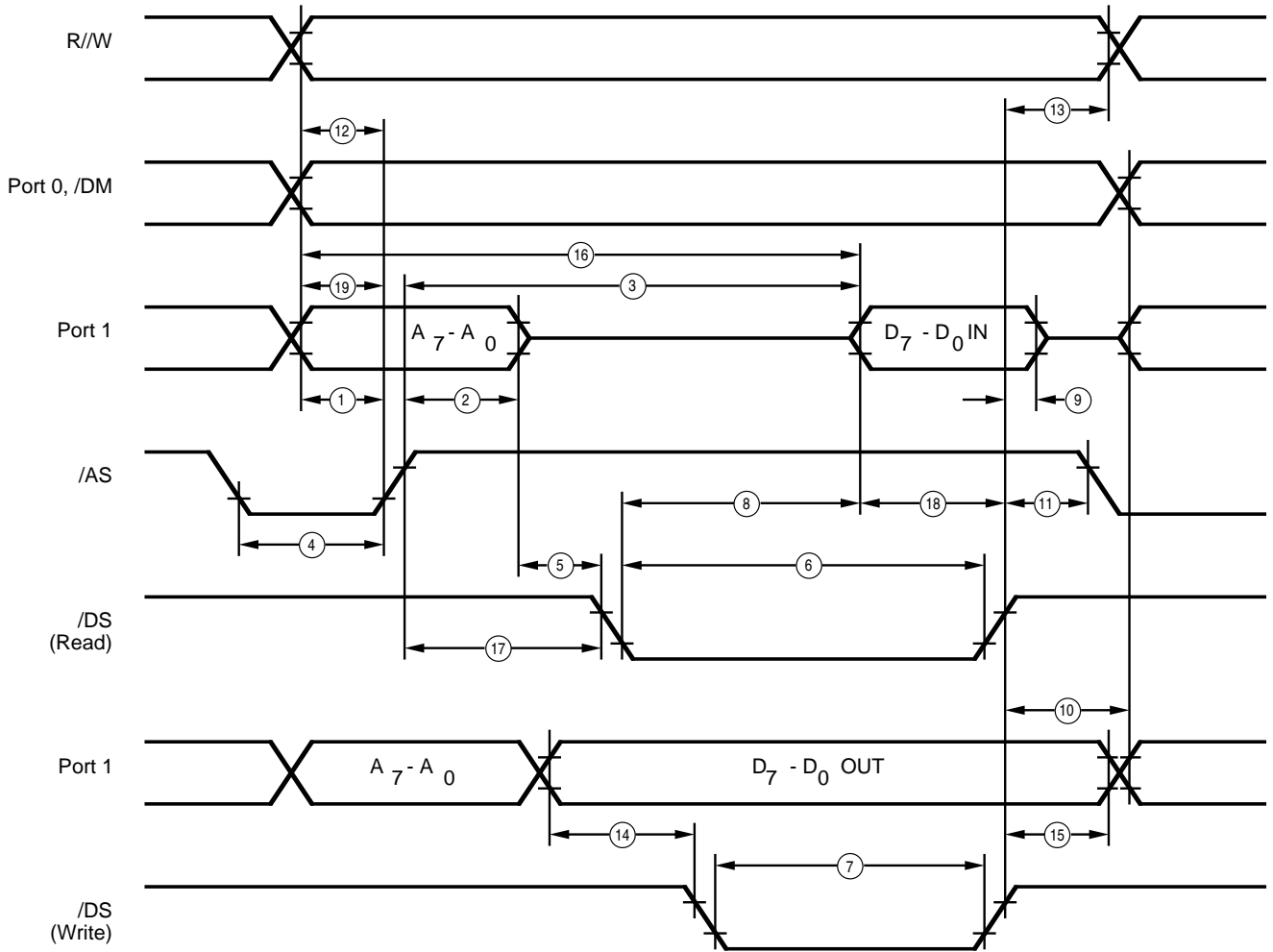
Use this sequence:

LD TMR,#00

NOP

AC CHARACTERISTICS

External I/O or Memory Read or Write Timing Diagram



External I/O or Memory Read/Write Timing

AC CHARACTERISTICS

External I/O or Memory Read and Write Timing Table

No	Symbol	Parameter	$T_A = 0^\circ\text{C to } 70^\circ\text{C}$				$T_A = -40^\circ\text{C to } 105^\circ\text{C}$				Units	Notes
			12 MHz		16 MHz		12 MHz		16 MHz			
			Max	Min	Max	Min	Max	Min	Max	Min		
1	TdA(AS)	Address Valid to /AS Rise Delay	35		20		35		25		ns	[2,3]
2	TdAS(A)	/AS Rise to Address Float Delay	45		30		45		35		ns	[2,3]
3	TdAS(DR)	/AS Rise to Read Data Req'd Valid		220		180		250		180	ns	[1,2,3]
4	TwAS	/AS Low Width	55		35		55		40		ns	[2,3]
5	TdAZ(DS)	Address Float to /DS Fall	0		0		0		0		ns	
6	TwDSR	/DS (Read) Low Width	185		135		185		135		ns	[1,2,3]
7	TwDSW	/DS (Write) Low Width	110		80		110		80		ns	[1,2,3]
8	TdDSR(DR)	/DS Fall to Read Data Req'd Valid		130		75		130		75	ns	[1,2,3]
9	ThDR(DS)	Read Data to /DS Rise Hold Time	0		0		0		0		ns	[2,3]
10	TdDS(A)	/DS Rise to Address Active Delay	45		35		65		50		ns	[2,3]
11	TdDS(AS)	/DS Rise to /AS Fall Delay	55		30		45		35		ns	[2,3]
12	TdR/W(AS)	R/W Valid to /AS Rise Delay	30		20		33		25		ns	[2,3]
13	TdDS(R/W)	/DS Rise to R/W Not Valid	35		30		50		35		ns	[2,3]
14	TdDW(DSW)	Write Data Valid to /DS Fall (Write) Delay	35		25		35		25		ns	[2,3]
15	TdDS(DW)	/DS Rise to Write Data Not Valid Delay	35		30		55		35		ns	[2,3]
16	TdA(DR)	Address Valid to Read Data Req'd Valid		255		200		310		230	ns	[1,2,3]
17	TdAS(DS)	/AS Rise to /DS Fall Delay	55		40		65		45		ns	[2,3]
18	TdDI(DS)	Data Input Setup to /DS Rise	75		60		75		60		ns	[1,2,3]
19	TdDM(AS)	/DM Valid to /AS Fall Delay	50		30		50		30		ns	[2,3]

Notes:

- [1] When using extended memory timing add 2 TpC.
 [2] Timing numbers given are for minimum TpC.
 [3] See clock cycle dependent characteristics table.

Standard Test Load

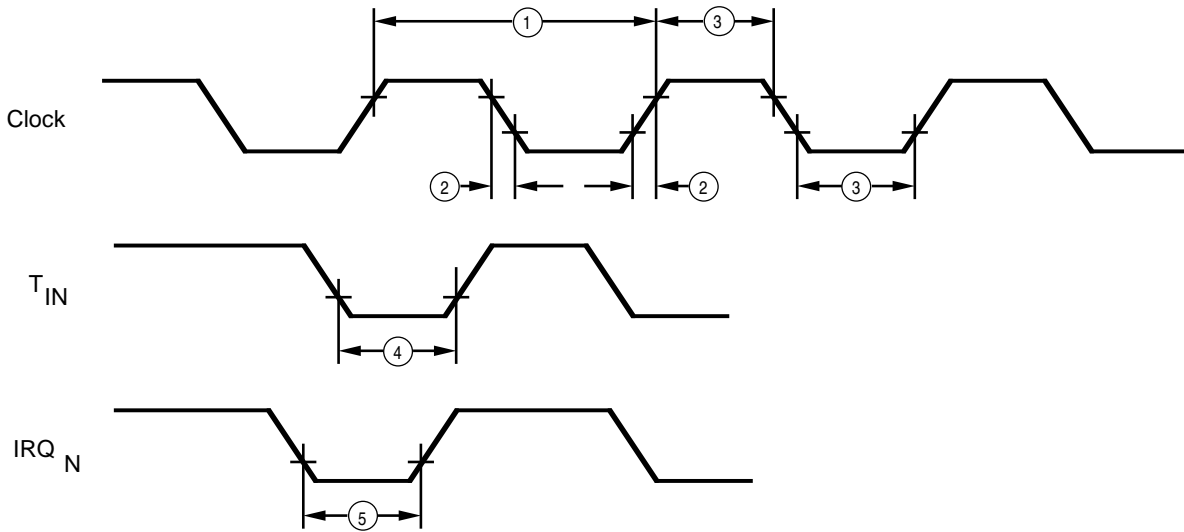
All timing references use 2.0V for a logic 1 and 0.8V for a logic 0.

Clock Dependent Formulas

Number	Symbol	Equation
1	TdA(AS)	$0.40T_{pC} + 0.32$
2	TdAS(A)	$0.59T_{pC} - 3.25$
3	TdAS(DR)	$2.38T_{pC} + 6.14$
4	TwAS	$0.66T_{pC} - 1.65$
6	TwDSR	$2.33T_{pC} - 10.56$
7	TwDSW	$1.27T_{pC} + 1.67$
8	TdDSR(DR)	$1.97T_{pC} - 42.5$
10	TdDS(A)	$0.8T_{pC}$
11	TdDS(AS)	$0.59T_{pC} - 3.14$
12	TdR/W(AS)	$0.4T_{pC}$
13	TdDS(R/W)	$0.8T_{pC} - 15$
14	TdDW(DSW)	$0.4T_{pC}$
15	TdDS(DW)	$0.88T_{pC} - 19$
16	TdA(DR)	$4T_{pC} - 20$
17	TdAS(DS)	$0.91T_{pC} - 10.7$
18	TsDI(DS)	$0.8T_{pC} - 10$
19	TdDM(AS)	$0.9T_{pC} - 26.3$

AC CHARACTERISTICS

Additional Timing Diagram



Additional Timing

AC CHARACTERISTICS

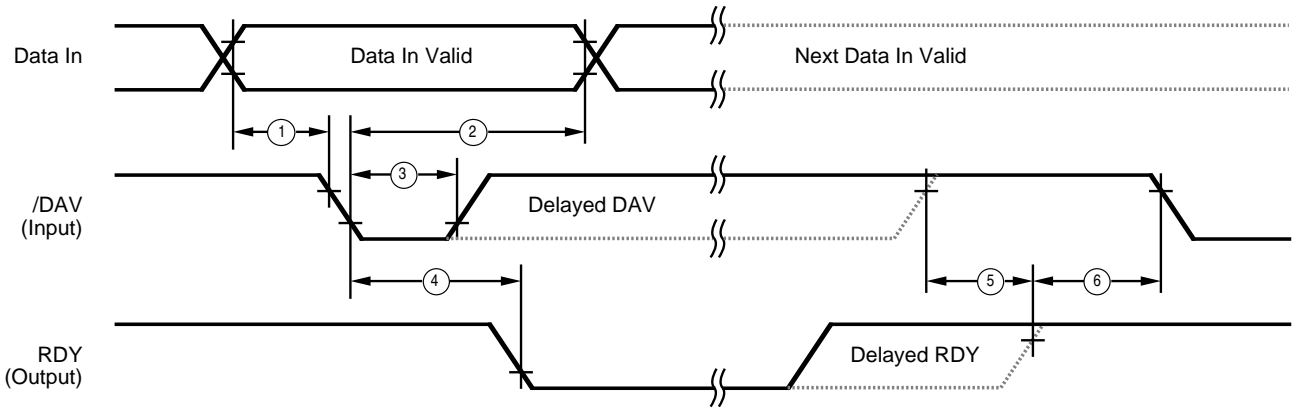
Additional Timing Table

No	Symbol	Parameter	$T_A = 0^\circ\text{C to } 70^\circ\text{C}$				$T_A = -40^\circ\text{C to } 105^\circ\text{C}$				Units	Notes
			12 MHz		16 MHz		12 MHz		16 MHz			
			Max	Min	Max	Min	Max	Min	Max	Min		
1	T_{pC}	Input Clock Period	83	1000	62.5	1000	83	1000	62.5	1000	ns	[1]
2	T_{rC}, T_{fC}	Clock Input Rise & Fall Times		15		10		15		10	ns	[1]
3	T_{wC}	Input Clock Width	37		21		37		21		ns	[1]
4	T_{wTinL}	Timer Input Low Width	75		50		75		50		ns	[2]
5	T_{wTinH}	Timer Input High Width	$3T_{pC}$		$3T_{pC}$		$3T_{pC}$		$3T_{pC}$			[2]
6	T_{pTin}	Timer Input Period	$8T_{pC}$		$8T_{pC}$		$8T_{pC}$		$8T_{pC}$			[2]
7	T_{rTin}, T_{fTin}	Timer Input Rise & Fall Times	100		100		100		100		ns	[2]
8A	T_{wIL}	Interrupt Request Input Low Times	70		50		70		50		ns	[2,4]
8B	T_{wIL}	Interrupt Request Input Low Times	$3T_{pC}$		$3T_{pC}$		$3T_{pC}$		$3T_{pC}$			[2,5]
9	T_{wIH}	Interrupt Request Input High Times	$3T_{pC}$		$3T_{pC}$		$3T_{pC}$		$3T_{pC}$			[2,3]

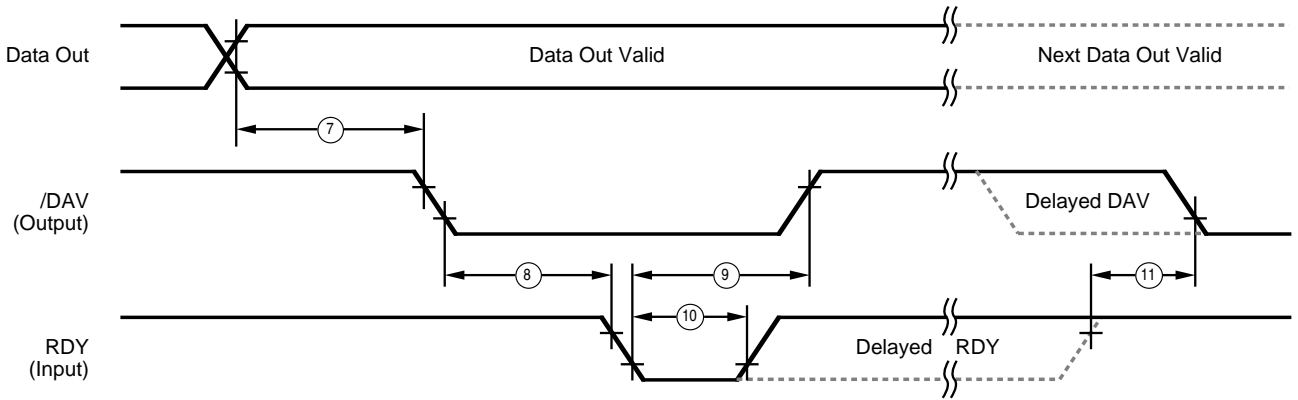
Notes:

- [1] Clock timing references use 3.8V for a logic 1 and 0.8V for a logic 0.
- [2] Timing references use 2.0V for a logic 1 and 0.8V for a logic 0.
- [3] Interrupt references request via Port 3.
- [4] Interrupt request via Port 3 (P31-P33).
- [5] Interrupt request via Port 30.

AC CHARACTERISTICS
Handshake Timing Diagrams



Input Handshake Timing



Output Handshake Timing

AC CHARACTERISTICS

Handshake Timing Table

No	Symbol	Parameter	$T_A = 0^\circ\text{C to } 70^\circ\text{C}$				$T_A = -40^\circ\text{C to } 105^\circ\text{C}$				Data Direction
			12 MHz		16 MHz		12 MHz		16 MHz		
			Max	Min	Max	Min	Max	Min	Max	Min	
1	TsDI(DAV)	Data In Setup Time	0		0		0		0		IN
2	ThDI(DAV)	Data In Hold Time	145		145		145		145		IN
3	TwDAV	Data Available Width	110		110		110		110		IN
4	TdDAVI(RDY)	DAV Fall to RDY Fall Delay		115		115		115		115	IN
5	TdDAVIId(RDY)	DAV Rise to RDY Rise Delay		115		115		115		115	IN
6	TdDO(DAV)	RDY Rise to DAV Fall Delay	0		0		0		0		IN
7	TcLDAV0(RDY)	Data Out to DAV Fall Delay		TpC		TpC		TpC		TpC	OUT
8	TcLDAV0(RDY)	DAV Fall to RDY Fall Delay	0		0		0		0		OUT
9	TdRDY0(DAV)	RDY Fall to DAV Rise Delay		115		115		115		115	OUT
10	TwRDY	RDY Width	110		110		110		110		OUT
11	TdRDY0d(DAV)	RDY Rise to DAV Fall Delay		115		115		115		115	OUT

© 1995 by Zilog, Inc. All rights reserved. No part of this document may be copied or reproduced in any form or by any means without the prior written consent of Zilog, Inc. The information in this document is subject to change without notice. Devices sold by Zilog, Inc. are covered by warranty and patent indemnification provisions appearing in Zilog, Inc. Terms and Conditions of Sale only. Zilog, Inc. makes no warranty, express, statutory, implied or by description, regarding the information set forth herein or regarding the freedom of the described devices from intellectual property infringement. Zilog, Inc. makes no warranty of merchantability or fitness for any purpose. Zilog, Inc. shall not be responsible for any errors that may appear in this document. Zilog, Inc. makes no commitment to update or keep current the information contained in this document.

Zilog's products are not authorized for use as critical components in life support devices or systems unless a specific written agreement pertaining to such intended use is executed between the customer and Zilog prior to use. Life support devices or systems are those which are intended for surgical implantation into the body, or which sustains life whose failure to perform, when properly used in accordance with instructions for use provided in the labeling, can be reasonably expected to result in significant injury to the user.

Zilog, Inc. 210 East Hacienda Ave.
 Campbell, CA 95008-6600
 Telephone (408) 370-8000
 Telex 910-338-7621
 FAX 408 370-8056
 Internet: <http://www.zilog.com>